

FEATURES

- Economical version
- 2 different loop designs
- ERW pipes construction

APPLICATION

- Heat dispenser for gauges, switches & transmitters
- Boilers

Thread On Pipe

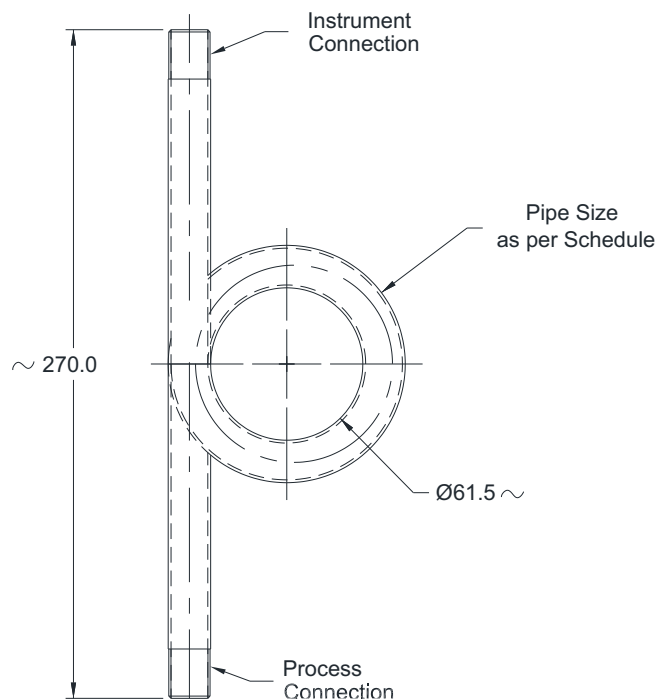


STANDARD SPECIFICATIONS

Type	:	Pattern 1 (Coiled type)
Material	:	Steel (Plated)
Instrument connection	:	3/8" BSP (M)
Pipe size & schedule	:	Pipe 3/8" Sch 40
Connection type	:	Thread on pipe, Male
Process connection	:	3/8" BSP (M)
Maximum working pressure	:	16 bar
Maximum working temperature	:	120°C

DIMENSIONAL DRAWING

Pattern 1

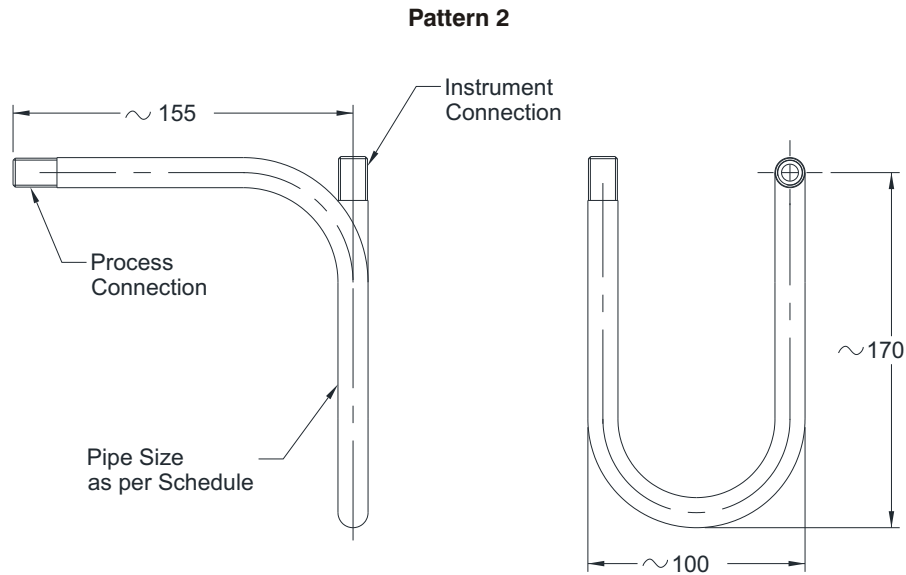


All dimensions are in mm.

NOTES:

1. Picture shown are for reference purpose, the actual product may vary in appearance.

DIMENSIONAL DRAWING



All dimensions are in mm.

ORDERING CODES

1. TYPE

- 1 Pattern 1 (Pigtail type)
- 2 Pattern 2 ("U" type)

1

2. MATERIAL

- M9 Steel (Plated)

M9

3. INSTRUMENT CONNECTION

- 13B 3/8" BSP (M)
- 14B 1/2" BSP (M)
- 13N 3/8" NPT (M)
- 14N 1/2" NPT (M)

13B

4. PIPE SIZE & SCHEDULE

- U3 Pipe 3/8" Sch 40
- U5 Pipe 1/2" Sch 40

U3

5. CONNECTION TYPE

- C1 Thread on pipe, Male

C1

6. PROCESS CONNECTION

- 13B 3/8" BSP (M)
- 14B 1/2" BSP (M)
- 13N 3/8" NPT (M)
- 14N 1/2" NPT (M)

13B

Ordering Example : A103-1-M9-13B-U3-C1-13B

NOTES:

1. Minimum order quantity shall be 100 Nos.