

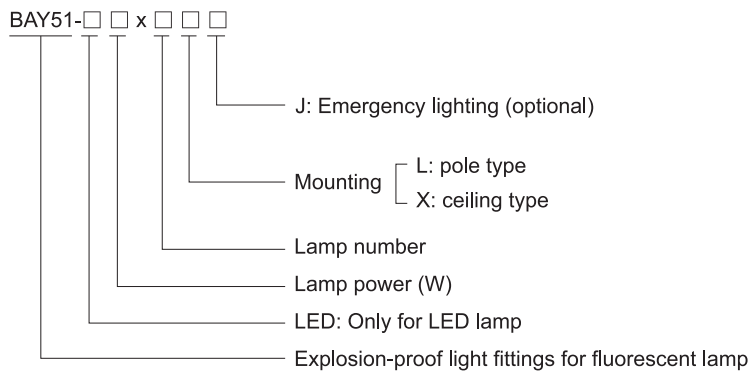
## Light Fittings for Fluorescent Lamp

### BAY51 Series Explosion-proof Light Fittings for Fluorescent Lamp



- ◆ Explosion protection to
  - CENELEC
  - IEC
  - NEC
- ◆ Can be used in
  - Zone 1 and Zone 2
  - Zone 21 and Zone 22
  - Class I, Zone 1 and Zone 2
  - Class I, Division 1, Groups A, B, C, D
- ◆ Single or dual lamp versions
- ◆ Available lamp and power
  - Fluorescent lamps: 18W x 1, 36W x 1, 58W x 1, 18W x 2, 36W x 2, 58W x 2.
  - LED lamps: 9W x 1, 9W x 2, 18W x 1, 18W x 2, 28W x 1, 28W x 2.
- ◆ The glass tube stands 4J impact.
- ◆ Enclosure in copper-free aluminium, powder coated surface, yellow (RAL1021).
- ◆ Built-in electronic ballast, wide voltage input, rapid starting, stable performance, power factor $\geq$ 0.95.
- ◆ Built-in LED driver, wide voltage input, CC-CV (constant current - constant voltage) output, power factor $\geq$ 0.95.
- ◆ End of lamp life (EOL) rectification effect protection.

#### Catalogue number logic



## Zones 1&2; 21&22

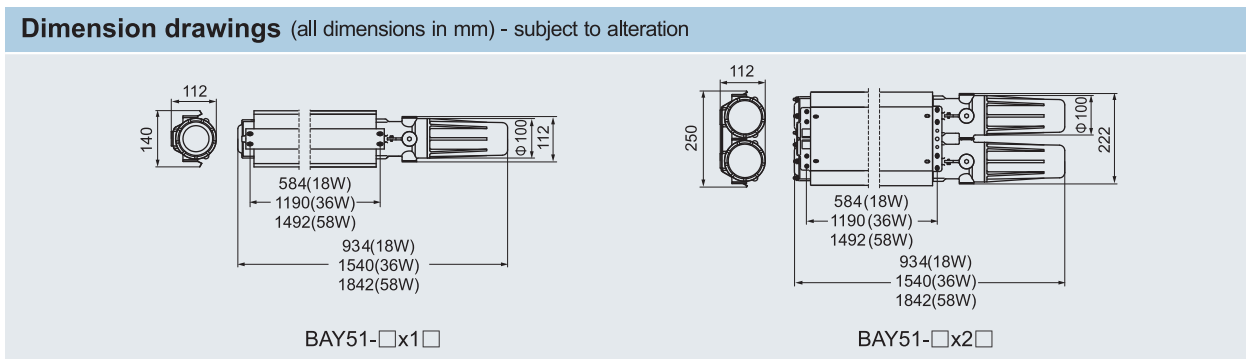
## Light Fittings for Fluorescent Lamp

### BAY51 Series Explosion-proof Light Fittings for Fluorescent Lamp

Technical data							
<b>Explosion-proof light fittings for fluorescent lamp BAY51-□ × □□</b>							
<b>Explosion protection</b>	<p>Gas explosion protection      ⓧ II 2 G Ex d IIC T6 Gb      Ex d IIC T6 Gb</p> <p>Dust explosion protection      ⓧ II 2 D Ex tb IIIC T80°C Db IP66      Ex t IIIC T80°C Db IP66</p>						
<b>Certificates</b>	LCIE 09 ATEX 3046; IECEx CQM 12.0042X; RU C-CN.ГБ05.В.00344 (CU-TR)						
<b>Conformity to standards</b>	EN 60079-0, EN 60079-1, EN 60079-31 IEC 60079-0, IEC 60079-1, IEC 60079-31						
<b>Material</b>							
Enclosure	Copper-free aluminium, powder coated surface, yellow (RAL1021)						
Glass tube	Toughened glass, stands 4J impact						
Ballast	Electronic ballast						
Wire guard (optional)	Powder coated carbon steel (white) or stainless steel						
External reflector	Powder coated pure aluminium						
Exposed fastener	Stainless steel						
<b>Lamp</b>							
Lamp specification	T8 tube (supplied with the light fittings)						
Lamp power (W)	<table border="1"> <tr> <td>18W x 1</td> <td>18W x 2</td> </tr> <tr> <td>36W x 1</td> <td>36W x 2</td> </tr> <tr> <td>58W x 1</td> <td>58W x 2</td> </tr> </table>	18W x 1	18W x 2	36W x 1	36W x 2	58W x 1	58W x 2
18W x 1	18W x 2						
36W x 1	36W x 2						
58W x 1	58W x 2						
<b>Rated voltage</b>	100~300V AC 50/60Hz						
<b>Earthing protection</b>	M5 (internal & external earth bolts)						
<b>Degree of protection</b>	IP66, IP67 (optional)						
<b>Ambient temperature</b>	-20°C~+55°C						
<b>Terminal</b>	3 x 1.5~4mm <sup>2</sup> (L+N+PE)						
<b>Cable entries</b>							
Single lamp	2 x M25 x 1.5 plugs						
Dual lamp	2 x M25 x 1.5 plugs						
<b>Cable gland (optional)</b>	DQM-II (Ex d) or DQM-III (Ex d) is recommended. Please see P7/20~29						

Selection table					
Type / Ordering code	Lamp power(W)	Weight(kg)	Type / Ordering code	Lamp power(W)	Weight(kg)
BAY51-18 x 1X	18 x 1	5.60	BAY51-18 x 2X	18 x 2	10.60
BAY51-18 x 1L	18 x 1	6.50	BAY51-18 x 2L	18 x 2	11.55
BAY51-36 x 1X	36 x 1	8.80	BAY51-36 x 2X	36 x 2	16.30
BAY51-36 x 1L	36 x 1	9.30	BAY51-36 x 2L	36 x 2	16.85
BAY51-58 x 1X	58 x 1	10.40	BAY51-58 x 2X	58 x 2	18.30
BAY51-58 x 1L	58 x 1	10.85	BAY51-58 x 2L	58 x 2	19.20

**Note:** Products above include all the mounting accessories listed in Mounting Accessories & Spare Parts Table (see P2/21~22).



## Light Fittings for Fluorescent Lamp BAY51 Series Explosion-proof Light Fittings for Fluorescent Lamp

### Technical data

#### Explosion-proof emergency light fittings for fluorescent lamp BAY51-□ × □□J

##### Explosion protection

- Gas explosion protection
- Dust explosion protection

⊕ II 2 G Ex d IIC T6 Gb  
⊕ II 2 D Ex tb IIIC T80°C Db IP66

##### Certificates

LCIE 13 ATEX 3003X; IECEx CQM 13.0004X; CU-TR

##### Conformity to standards

EN 60079-0, EN 60079-1, EN 60079-31  
IEC 60079-0, IEC 60079-1, IEC 60079-31

##### Material

- Enclosure
- Glass tube
- Emergency unit

Copper-free aluminium, powder coated surface, yellow (RAL1021)

Toughened glass, stands 4J impact

Special emergency controller and Ni-MH battery pack, with protection against over-charge and overdischarge

- Ballast
- Wire guard (optional)
- External reflector
- Exposed fastener

Electronic ballast

Powder coated carbon steel (white) or stainless steel

Powder coated pure aluminium

Stainless steel

##### Lamp

- Lamp specification
- Lamp power (W)
- Emergency power (W)

T8 tube (supplied with the light fittings)

18W x 2, 36W x 2, 58W x 2

18W x 1, 36W x 1, 58W x 1

##### Emergency starting time

0.3s

##### Charging time

24h

##### Emergency lighting time

120min (180min is optional)

##### Rated voltage

100~300V AC 50/60Hz

##### Earthing protection

M5 (internal & external earth bolts)

##### Degree of protection

IP66, IP67(optional)

##### Ambient temperature

-20°C~+55°C

##### Terminal

3 x 1.5~4mm<sup>2</sup> (L+N+PE)

##### Cable entries

4 x M25 x 1.5 plugs

##### Cable gland (optional)

DQM-II (Ex d) or DQM-III (Ex d) is recommended. Please see P7/20~29

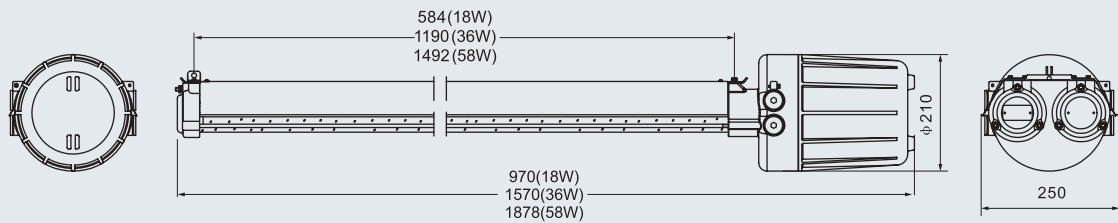


### Selection table

Type / Ordering code	Lamp power(W)	Weight(kg)	Type / Ordering code	Lamp power(W)	Weight(kg)
BAY51-18 x 2XJ	18 x 2	14.50	BAY51-36 x 2LJ	36 x 2	20.30
BAY51-18 x 2LJ	18 x 2	14.60	BAY51-58 x 2XJ	58 x 2	22.20
BAY51-36 x 2XJ	36 x 2	20.20	BAY51-58 x 2LJ	58 x 2	22.30

**Note:** Products above include all the mounting accessories listed in Mounting Accessories & Spare Parts Table (see P2/23).

### Dimension drawings (all dimensions in mm) - subject to alteration



BAY51-□x□J

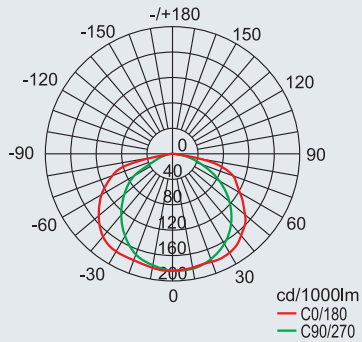
## Light Fittings for Fluorescent Lamp

### BAY51 Series Explosion-proof Light Fittings for Fluorescent Lamp

#### Photometric data

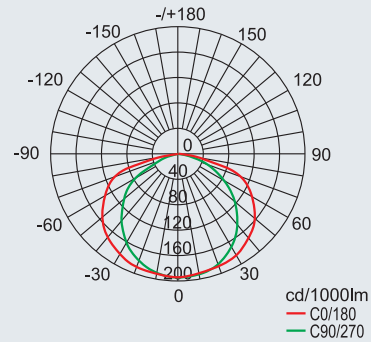
##### BAY51-18x1□□

Rated luminous flux  
18Wx1: 1300lm



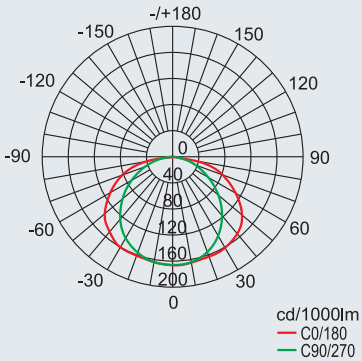
##### BAY51-18x2□□

Rated luminous flux  
18Wx2: 2600lm



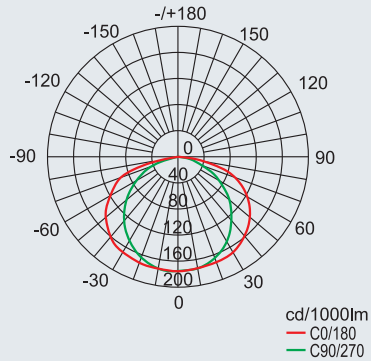
##### BAY51-36x1□□

Rated luminous flux  
36Wx1: 3250lm



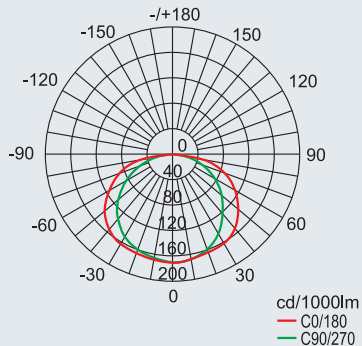
##### BAY51-36x2□□

Rated luminous flux  
36Wx2: 6500lm



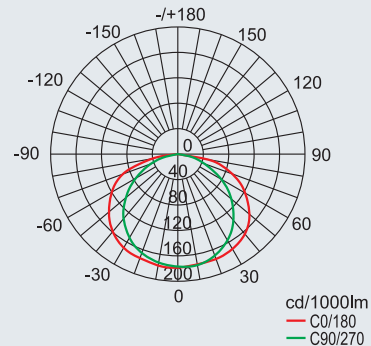
##### BAY51-58x1□□

Rated luminous flux  
58Wx1: 5000lm



##### BAY51-58x2□□

Rated luminous flux  
58Wx2: 10000lm



We can provide lighting design and data by professional lighting software DIALUX based upon simulated site situation on request.

## Light Fittings for Fluorescent Lamp

### BAY51 Series Explosion-proof Light Fittings for Fluorescent Lamp

#### Technical data

#### Explosion-proof light fittings with LED tubes BAY51-LED □ × □ □

<b>Explosion protection</b>	Gas explosion protection Dust explosion protection	$\text{Ex}$ II 2 G Ex db IIC T6 Gb $\text{Ex}$ II 2 D Ex tb IIIC T80°C Db IP66														
<b>Certificates</b>		EPT 15 ATEX 2287X; LCIE 11 ATEX 3112X; IECEx CQM 12.0005X; CU-TR														
<b>Conformity to standards</b>		EN 60079-0, EN 60079-1, EN 60079-31 IEC 60079-0, IEC 60079-1, IEC 60079-31														
<b>Material</b>	Enclosure Glass tube LED driver	Copper-free aluminium, powder coated surface, yellow (RAL1021) Toughened glass, stands 4J impact Wide voltage input, CC-CV (constant current - constant voltage) output, power factor $\geq 0.95$ , with function of distributed current, constant current, surge-proof and anti-electromagnetic interference, and protection against overcurrent, open circuit, and short circuit.														
	Wire guard (optional) External reflector Exposed fastener	Powder coated carbon steel (white) or stainless steel Powder coated pure aluminium Stainless steel														
<b>Lamp</b>	Lamp specification Lamp power (W) Colour Temperature (CCT)	LED module (supplied with the light fittings) 9W x 1, 9W x 2, 18W x 1, 18W x 2, 28W x 1, 28W x 2 5000~5700K Note: cool white is available in general. Warm white (2700~3500K) or nature white (4700~5400K) is optional, please specify when ordering.														
<b>Rated voltage</b>		110~265V AC 50/60Hz														
<b>Earthing protection</b>		M5 (internal & external earth bolts)														
<b>Degree of protection</b>		IP66, IP67(optional)														
<b>Ambient temperature</b>																
		<table border="1"> <thead> <tr> <th>Certificates</th> <th>Lamp power (W)</th> <th>Ambient temperature</th> </tr> </thead> <tbody> <tr> <td>EPT 15 ATEX 2287X</td> <td>9W x 1, 9W x 2, 18W x 1 18W x 2, 28W x 1, 28W x 2</td> <td>-20°C~+55°C</td> </tr> <tr> <td>LCIE 11 ATEX 3112X</td> <td>9W x 1, 9W x 2 18W x 1, 18W x 2</td> <td>-40°C~+55°C</td> </tr> <tr> <td rowspan="2">IECEx CQM 12.0005X</td> <td>9W x 1, 9W x 2, 18W x 1, 18W x 2</td> <td>-40°C~+55°C</td> </tr> <tr> <td>28W x 1, 28W x 2</td> <td>-20°C~+55°C</td> </tr> </tbody> </table>	Certificates	Lamp power (W)	Ambient temperature	EPT 15 ATEX 2287X	9W x 1, 9W x 2, 18W x 1 18W x 2, 28W x 1, 28W x 2	-20°C~+55°C	LCIE 11 ATEX 3112X	9W x 1, 9W x 2 18W x 1, 18W x 2	-40°C~+55°C	IECEx CQM 12.0005X	9W x 1, 9W x 2, 18W x 1, 18W x 2	-40°C~+55°C	28W x 1, 28W x 2	-20°C~+55°C
Certificates	Lamp power (W)	Ambient temperature														
EPT 15 ATEX 2287X	9W x 1, 9W x 2, 18W x 1 18W x 2, 28W x 1, 28W x 2	-20°C~+55°C														
LCIE 11 ATEX 3112X	9W x 1, 9W x 2 18W x 1, 18W x 2	-40°C~+55°C														
IECEx CQM 12.0005X	9W x 1, 9W x 2, 18W x 1, 18W x 2	-40°C~+55°C														
	28W x 1, 28W x 2	-20°C~+55°C														
<b>Terminal</b>		3 x 1.5~4mm <sup>2</sup> (L+N+PE)														
<b>Mounting</b>		Ceiling type, pole type														
<b>Cable entries</b>	Single lamp Dual lamp	2 x M25 x 1.5 plugs 2 x M25 x 1.5 plugs														
<b>Cable gland</b>		DQM-II (Ex d) or DQM-III (Ex d) is recommended. Please see P7/20~29														

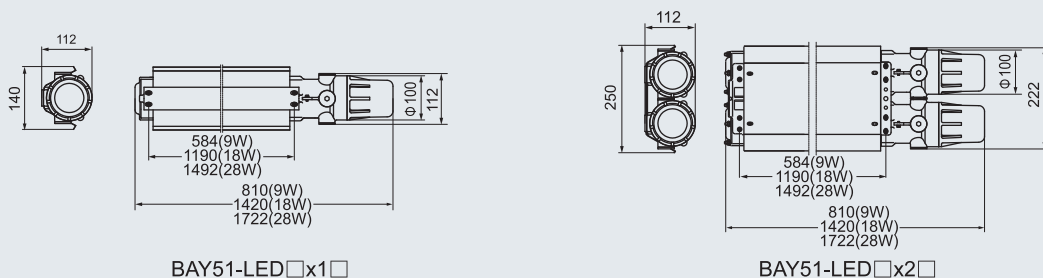


#### Selection table

Type / Ordering code	Lamp power(W)	Weight(kg)	Type / Ordering code	Lamp power(W)	Weight(kg)
BAY51-LED 9 x 1X	9 x 1	5.50	BAY51-LED 9 x 2X	9 x 2	9.80
BAY51-LED 9 x 1L	9 x 1	5.90	BAY51-LED 9 x 2L	9 x 2	10.50
BAY51-LED 18 x 1X	18 x 1	8.30	BAY51-LED 18 x 2X	18 x 2	15.70
BAY51-LED 18 x 1L	18 x 1	8.35	BAY51-LED 18 x 2L	18 x 2	16.40
BAY51-LED 28 x 1X	28 x 1	10.00	BAY51-LED 28 x 2X	28 x 2	17.30
BAY51-LED 28 x 1L	28 x 1	10.30	BAY51-LED 28 x 2L	28 x 2	18.30

**Note:** Products above include all the mounting accessories listed in Mounting Accessories & Spare Parts Table (see P2/21~22).

#### Dimension drawings (all dimensions in mm) - subject to alteration



## Light Fittings for Fluorescent Lamp

### BAY51 Series Explosion-proof Light Fittings for Fluorescent Lamp



Technical data	
<b>Explosion-proof light fittings with LED tubes BAY51-LED□ × □□J</b>	
<b>Explosion protection</b>	<p>Gas explosion protection Dust explosion protection</p> <p>⊕ II 2 G Ex d IIC T6 Gb ⊕ II 2 D Ex tb IIIC T80°C Db IP66</p>
<b>Certificates</b>	EUT 14 ATEX 1885; IECEx CQM 14.0051X; CU-TR
<b>Conformity to standards</b>	EN 60079-0, EN 60079-1, EN 60079-31 IEC 60079-0, IEC 60079-1, IEC 60079-31
<b>Material</b>	
Enclosure	Copper-free aluminium, powder coated surface, yellow (RAL1021)
Glass tube	Toughened glass, stands 4J impact
LED driver	Wide voltage input, CC-CV (constant current - constant voltage) output, power factor ≥ 0.95, with function of distributed current, constant current, surge-proof and anti-electromagnetic interference, and protection against overcurrent, open circuit, and short circuit.
Emergency unit	Special emergency controller and Ni-MH battery pack, with protection against overcharge and overdischarge
Wire guard (optional)	Powder coated carbon steel (white) or stainless steel
External reflector	Powder coated pure aluminium
Exposed fastener	Stainless steel
<b>Lamp</b>	
Lamp specification	LED module (supplied with the light fittings)
Lamp power (W)	9W x 2, 18W x 2, 28W x 2
Colour Temperature (CCT)	5000~5700K Note: cool white is available in general. Warm white (2700~3500K) or nature white (4700~5400K) is optional, please specify when ordering.
Emergency power (W)	9W x 1, 18W x 1, 28W x 1
<b>Emergency starting time</b>	0.3s
<b>Charging time</b>	24h
<b>Emergency lighting time</b>	120min (180min is optional)
<b>Rated voltage</b>	110~265V AC 50/60Hz
<b>Earthing protection</b>	M5 (internal & external earth bolts)
<b>Degree of protection</b>	IP66, IP67 (optional)
<b>Ambient temperature</b>	-20°C~+55°C
<b>Terminal</b>	3 x 1.5~4mm <sup>2</sup> (L+N+PE)
<b>Cable entries</b>	4 x M25 x 1.5 plugs
<b>Cable gland(optional)</b>	DQM-II (Ex d) or DQM-III (Ex d) is recommended. Please see P7/20~29

Selection table								
Type / Ordering code	Lamp power(W)	Weight (kg)	Type / Ordering code	Lamp power(W)	Weight (kg)	Type / Ordering code	Lamp power(W)	Weight (kg)
BAY51-LED 9 x 2XJ	9 x 2	13.70	BAY51-LED 18 x 2XJ	18 x 2	19.40	BAY51-LED 28 x 2XJ	28 x 2	21.40
BAY51-LED 9 x 2LJ	9 x 2	13.80	BAY51-LED 18 x 2LJ	18 x 2	19.50	BAY51-LED 28 x 2LJ	28 x 2	21.50

**Note:** Products above include all the mounting accessories listed in Mounting Accessories & Spare Parts Table (see P2/23).

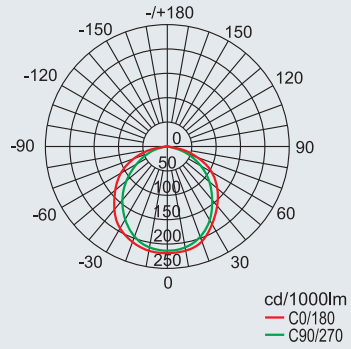
Dimension drawings (all dimensions in mm) - subject to alteration	
<p>584(9W) 1190(18W) 1492(28W)</p> <p>970(9W) 1570(18W) 1878(28W)</p> <p>Φ210</p> <p>250</p>	<p>BAY51- LED□x2□J</p>

## Light Fittings for Fluorescent Lamp BAY51 Series Explosion-proof Light Fittings for Fluorescent Lamp

**Photometric data** Note: LED luminous flux is from the standard product of which colour temperature is 5000 to 5700K

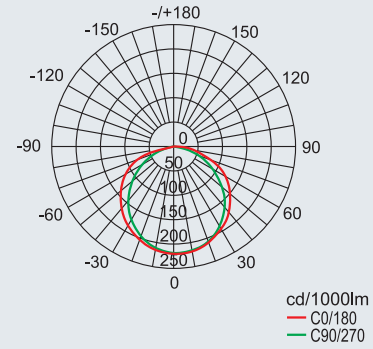
### BAY51-LED 9x1□

Rated luminous flux  
LED 9Wx1: 1080lm



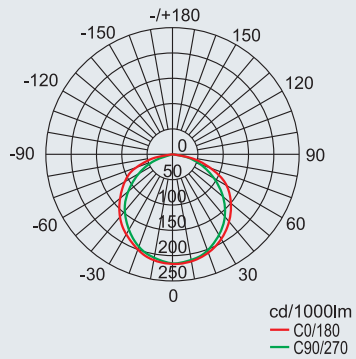
### BAY51-LED 9x2□□

Rated luminous flux  
LED 9Wx2: 2160lm



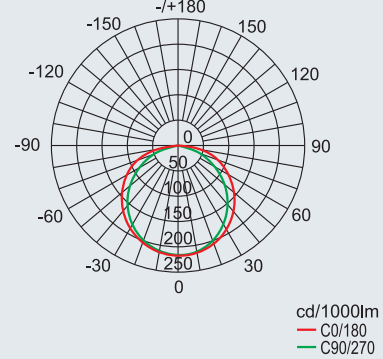
### BAY51-LED 18x1□

Rated luminous flux  
LED 18Wx1: 2160lm



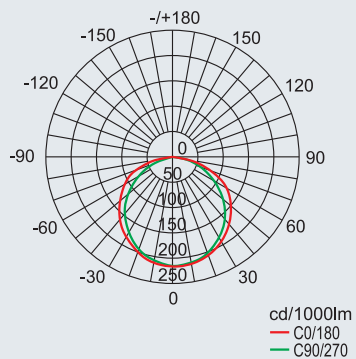
### BAY51-LED 18x2□□

Rated luminous flux  
LED 18Wx2: 4320lm



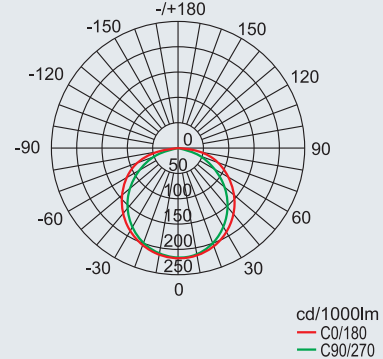
### BAY51-LED 28x1□

Rated luminous flux  
LED 28Wx1: 3360lm



### BAY51-LED 28x2□□

Rated luminous flux  
LED 28Wx2: 6720lm



We can provide lighting design and data by professional lighting software DIALUX based upon simulated site situation on request.



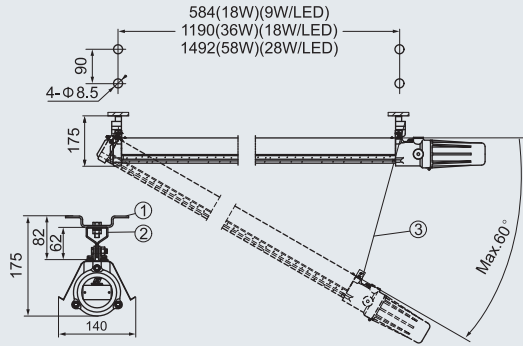
## Light Fittings for Fluorescent Lamp

### BAY51 Series Explosion-proof Light Fittings for Fluorescent Lamp

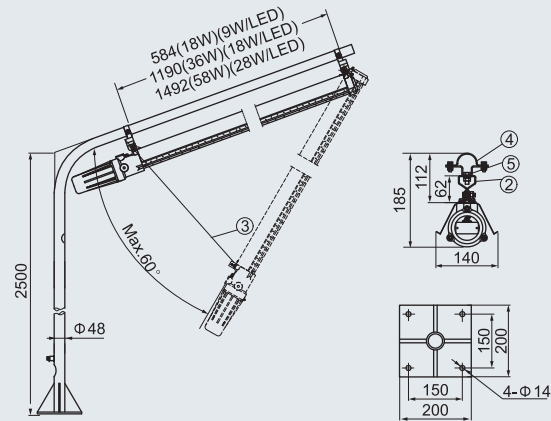
#### Mounting type for light fittings with single lamp tube (all dimensions in mm) - subject to alteration

Installation reference

X: ceiling type

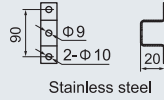
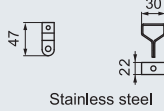
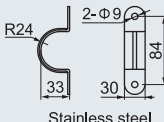
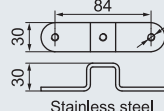


L: pole type (the pole is provided by user)



#### Mounting Accessories & Spare Parts Table (light fittings with single lamp tube)

Supplied according to the mounting type

Mounting type	Accessories			Ordering code	Weight (kg)
	Name	Qty	Illustration		
X: ceiling type	①.Mounting bracket	2		5136030	0.07
	②.Connector	2		51S01X1	0.04
	③.Steel wire rope (with hook)	1	Stainless steel, Length: 0.7m (18W), 1.3m (36W), 1.6m (58W)	51S01X2	0.30~0.50
L: pole type	④.G1 1/2" Pipe clamp	2		5136014	0.04
	⑤.Mounting bracket	2		5136012	0.04
	②.Connector	2	Stainless steel, same as ceiling type	51S01X1	0.04
	③.Steel wire rope (with hook)	1	Stainless steel, same as ceiling type	51S01X2	0.30~0.50

**Note:** Accessories not in the table shall be supplied by user.



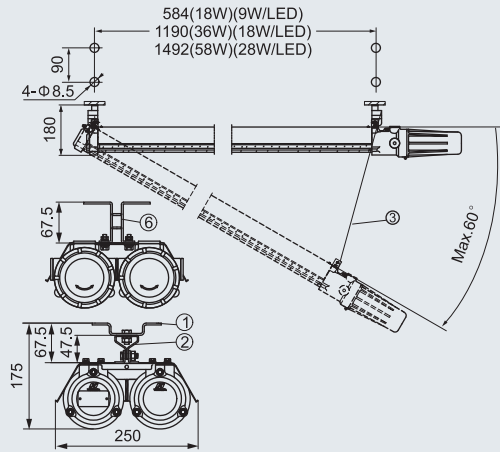


## Light Fittings for Fluorescent Lamp BAY51 Series Explosion-proof Light Fittings for Fluorescent Lamp

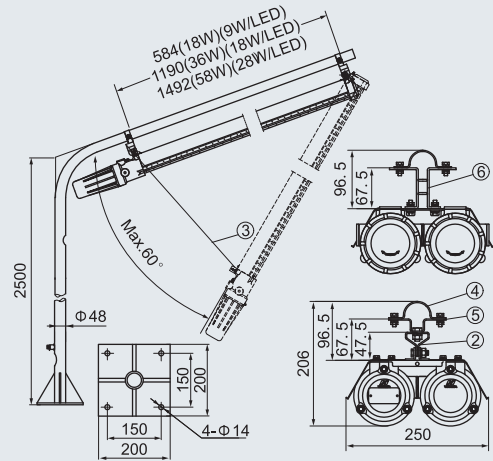
### Mounting type for light fittings with dual lamp tube (all dimensions in mm) - subject to alteration

Installation reference

X: ceiling type

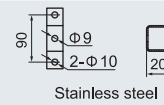
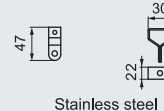
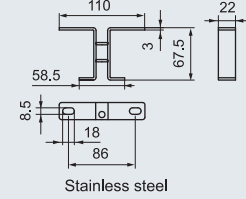
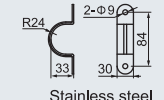
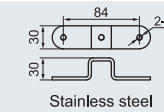


L: pole type (the pole is provided by user)



### Mounting Accessories & Spare Parts Table (light fittings with dual lamp tube)

Supplied according to the mounting type

Mounting type	Accessories			Ordering code	Weight (kg)
	Name	Qty	Illustration		
X: ceiling type	①.Mounting bracket	1		5136030	0.07
	②.Connector	1		51S01X1	0.04
	③.Steel wire rope (with hook)	1	Stainless steel, length: 0.7m (18W), 1.3m (36W), 1.6m (58W)	51S01X2	0.30~0.50
	⑥.Mounting bracket	1		51D01X3	0.13
L: pole type	④.G1 1/2" Pipe clamp	2		5136014	0.04
	⑤.Mounting bracket	1		5136012	0.04
	②.Connector	2	Stainless steel, same as ceiling type	51S01X1	0.04
	③.Steel wire rope (with hook)	1	Stainless steel, same as ceiling type	51S01X2	0.30~0.50
	⑥.Mounting bracket	1	Stainless steel, same as ceiling type	51D01X3	0.13

**Note:** Accessories not in the table shall be supplied by user.

## Light Fittings for Fluorescent Lamp

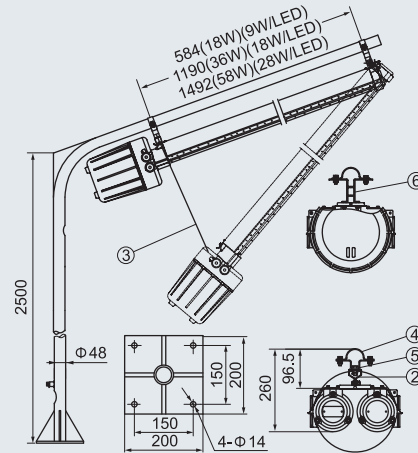
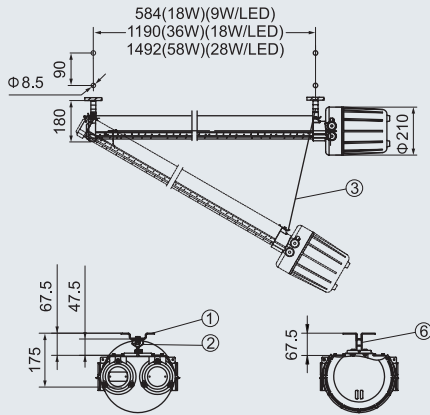
### BAY51 Series Explosion-proof Light Fittings for Fluorescent Lamp

#### Mounting type for light fittings with dual lamp tube (all dimensions in mm) - subject to alteration

##### Installation reference

X: ceiling type (for: BAY51-□ × 2XJ; BAY51-LED□ × 2XJ)

L: pole type (the pole is provided by user)  
(for: BAY51-□ × 2LJ; BAY51-LED□ × 2LJ)



#### Mounting Accessories & Spare Parts Table (light fittings with dual lamp tube)

Supplied according to the mounting type

Mounting type	Accessories			Ordering code	Weight (kg)
	Name	Qty	Illustration		
X: ceiling type	①.Mounting bracket	1	Stainless steel	5136030	0.07
	②.Connector	1	Stainless steel	51S01X1	0.04
	③.Steel wire rope (with hook)	1	Stainless steel, length: 0.7m (18W), 1.3m (36W), 1.6m (58W)	51S01X2	0.30~0.50
	⑥.Mounting bracket	1	Stainless steel	51D01X3	0.13
L: pole type	④.G1 1/2" Pipe clamp	2	Stainless steel	5136014	0.04
	⑤.Mounting bracket	1	Stainless steel	5136012	0.04
	②.Connector	2	Stainless steel, same as ceiling type	51S01X1	0.04
	③.Steel wire rope (with hook)	1	Stainless steel, same as ceiling type	51S01X2	0.30~0.50
	⑥.Mounting bracket	1	Stainless steel, same as ceiling type	51D01X3	0.13

**Note:** Accessories not in the table shall be supplied by user.

