

Technical Data

Housing material: Aluminium painted RAL 7000
Aluminox (high resistant finish (on request))

Type of protection: II 2GD
Ex d IIC T4/T5/T6 Gb
Ex tb IIC T85°C/T100°C/T135°C

IP protection: IP66/67

EC-type examination certificate: BVI 14 ATEX 0068X
IECEX EPS 14.0086X

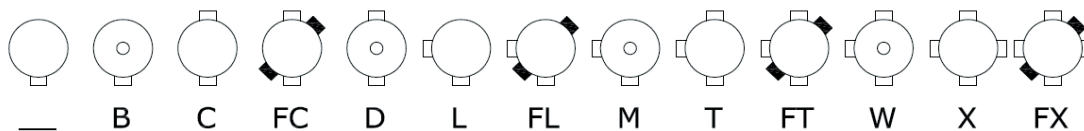
Ambiente Temp.: max. -50°C ... 85°C
Expanded: -50°C bis +80°C

Description

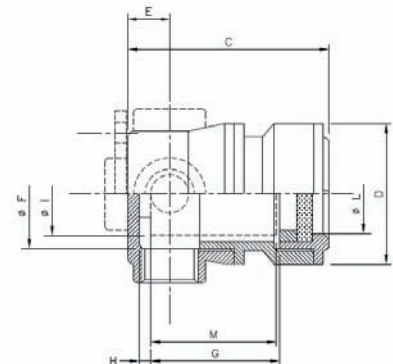
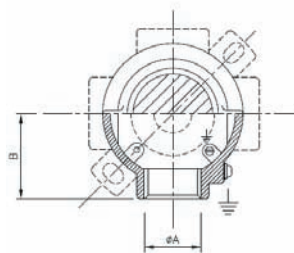
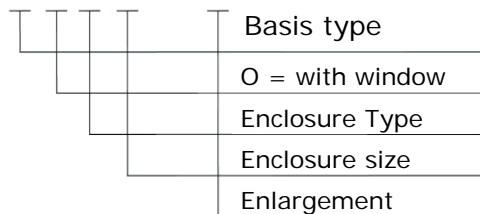
Exepd supplies a flexible enclosure system for the use in zone 1 and 21. Inside the enclosure industrial control devices could be built in. The series is available with or without glass window in the cover. Also available with IECEx certificate:
IECEX EPS 14.0017



Selection chart for enclosure Type



S / ...



Type	Cable entries	External dimensions in mm					Internal dimension in mm			Build-in dim. in mm		Max. power loss in W (Ta=40°C)***		
		B	C**	D	L	E	F	G**	H	I	M**	T6	T5	T4
14	1/2"	40	61/121	70	38	20	48	24/84	8	44	22/82	7.5	11	19.5
24	3/4"	40	61/121	70	38	20	48	24/84	8	44	22/82	7.5	11	19.5
26	3/4"	50	66/121/ 141	90	50	20	68	25/85/ 100	8	64	23/78/ 98	8	11.5	20.5
36	1"	50	73/128/ 148	90	50	23	68	32/87/ 107	8	64	30/85/ 105	8	11.5	20.5
57	3/4"*/ 1 1/2"	69	93/155/ 185	130	82	32	100	48/110/ 140	8	96	46/108/ 138	11	16	31
69	2"	75	104/165/205	145	96	36	112	54/115/ 155	9	106	52/113/ 153	14	21	42

* S57 / SO 57 with 3/4" hole only available with one hole

** First dim: = standard / second dim. = short enlargement / third dim. = long enlargement

*** Power losses given could be limited depending on using boxes SO Type with window or at higher ambient temperature!

Example:

SOB57/110 = Enclosure with window, hole 1-1/2" on bottom side on in base with small enlargement (**Dim. G** in chart), without wall brackets

SFT 26 = enclosure without window, 3 holes 3/4" bottom, left and top side, with wall brackets and without enlargement