

Description

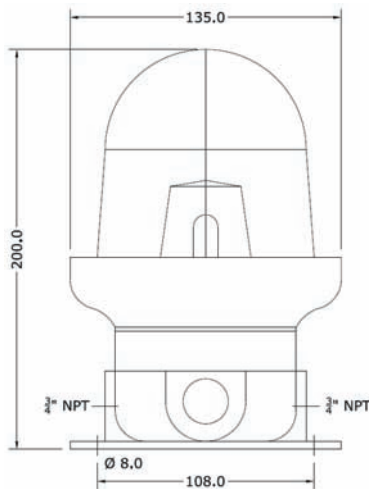
The optical signaller Type **EVC 50/F** is used to warn for danger and problems in and on plants and machines in hazardous area. It is available in the signal colors light blue, white, yellow, red and green. The blinking xenon flash lamp has got an flash energy of **6J**.



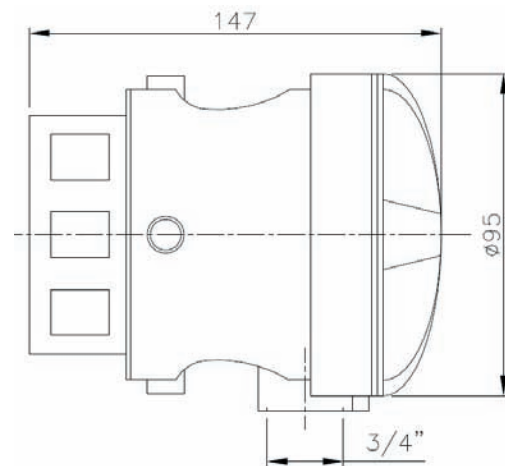
Technical data

Material:	Enclosure: Aluminum gray Glass: tempered borosilicate
IP protection:	max. IP 65
Type of protection:	II 2GD Ex d IIC T6 Ex tD A21 IP65 T85°C
Certificate:	INERIS 01 ATEX 0072X
Temp. range:	-20°C ... +40°C
Weight:	1,5 kg
Accessory:	stainless steel cage

Rated voltage	current	power	flash energy	frequency
12-24 VDC-AC	90-130 mA	1 ... 3 W	6 J	75 Hz
125V 50/60Hz	15 mA	1,8 W	6 J	110 Hz
230V 50/60Hz	20 mA	4,5 W	6 J	110 Hz



EVC 50/F



ETS 30

Beschreibung

The acustic signaller Type **ETS 30** is used to warn for danger and problems in and on plants and machines in hazardous area. It is available for the use with three different voltages.
Accessory: assembling brackets



Technische Daten

Material:	Enclosure: Aluminum gray
IP protection:	max. IP 66
Type of protection:	II 2GD Ex d IIC T6 Gb Ex tb IIIC T85°C Db
Certificate:	ISSeP 08 ATEX 0004X
Temp. range:	-20°C bis +40°C
Extended:	-50°C bis +50°C

voltage	power	frequency	Sound intensity	weight
12VDC	34W	1400 Hz	100 dB/m	1,5 kg
24VDC	39W	1500 Hz	102 dB/m	1,5 kg
230V 50/60Hz	50W	1600Hz	102 dB/m	1,5kg