

## FEATURES

- Economical version
- Fabricated from pipe
- Threaded process connection

## APPLICATION

- HVAC, Air filters & utilities
- Tanks & vessels

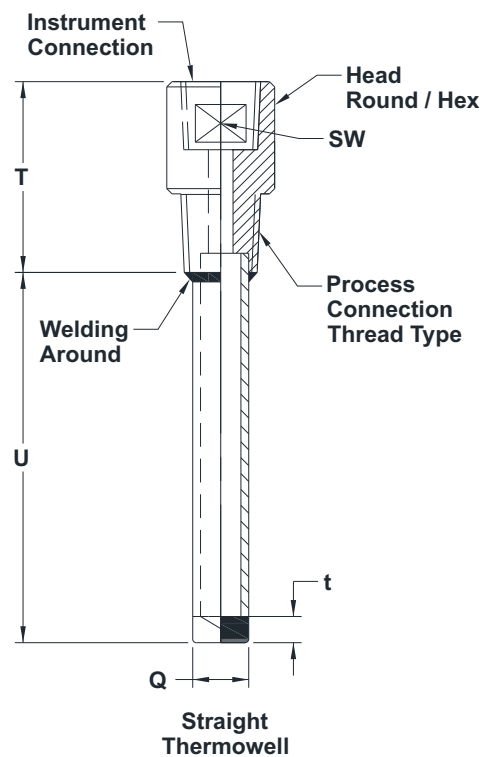
### Fabricated



### STANDARD SPECIFICATIONS

Shank form	:	Straight
Head Material	:	AISI 316 SS
Well Material	:	AISI 316 SS
Instrument connection	:	1/2" NPT (F) / 1/2" BSP (F)
Well Tubes	:	Tube Ø10 x 1.5 mm THK
Lag extension	:	50 mm
Immersion length	:	100 mm
Tip thickness	:	5 mm
Process connection	:	1/2" NPT (M) / 1/2" BSP (M)
Head type	:	Hex
Head size	:	27 mm

### DIMENSIONAL DRAWING



## ORDERING CODES

## 1. SHANK FORM

**S** Straight

## 2. HEAD MATERIAL

<b>MC</b> AISI 304SS	<b>ME</b> AISI 310 SS
<b>MF</b> AISI 316 SS	<b>MG</b> AISI 316L SS
<b>MI</b> AISI 321 SS	<b>M6</b> AISI 446 SS
<b>MQ</b> Inconel 600	<b>MR</b> Inconel 625
<b>MS</b> Inconel 800	<b>MT</b> Inconel 825
<b>MO</b> Hastelloy C-276	

## 3. WELL MATERIAL

<b>MC</b> AISI 304SS	<b>ME</b> AISI 310 SS
<b>MF</b> AISI 316 SS	<b>MG</b> AISI 316L SS
<b>MI</b> AISI 321 SS	<b>M6</b> AISI 446 SS
<b>MQ</b> Inconel 600	<b>MR</b> Inconel 625
<b>MS</b> Inconel 800	<b>MT</b> Inconel 825
<b>MO</b> Hastelloy C-276	

## 4. INSTRUMENT CONNECTION

<b>02N</b> 1/4" NPT (F)	<b>04N</b> 1/2" NPT (F)
<b>05N</b> 3/4" NPT (F)	<b>02B</b> 1/4" BSP (F)
<b>04B</b> 1/2" BSP (F)	<b>05B</b> 3/4" BSP (F)
<b>04M</b> M20 x 1.5 mm (F)	

## 5. PROCESS CONNECTION

<b>14N</b> 1/2" NPT (M)	<b>15N</b> 3/4" NPT (M)
<b>16N</b> 1" NPT (M)	<b>17N</b> 1.5" NPT (M)
<b>18N</b> 2" NPT (M)	<b>14B</b> 1/2" BSP (M)
<b>15B</b> 3/4" BSP (M)	<b>16B</b> 1" BSP (M)
<b>17B</b> 1.5" BSP (M)	<b>18B</b> 2" BSP (M)
<b>14M</b> M20 x 1.5 mm (M)	

## 6. HEAD TYPE

**H** Hex (up to Immersion length 250 mm)  
**L** Round with spanner slot

## 7. HEAD SIZE

**XX** Mention in 'mm'

## 8. LAG EXTENSION ("T")

**XXX** 35 mm up to 250 mm

## 9. WELL (PIPE)

**U3** Pipe 3/8" Sch 40  
**U4** Pipe 3/8" Sch 80  
**U5** Pipe 1/2" Sch 40  
**U6** Pipe 1/2" Sch 80  
**U7** Pipe 3/4" Sch 40  
**U8** Pipe 3/4" Sch 80  
**UA** Pipe 1/4" Sch 40  
**UB** Pipe 1/4" Sch 80  
**UC** Pipe 1/2" Sch 160  
**UD** Pipe 3/4" Sch 160

## 9. WELL (TUBE) OR

**U1** Tube Ø10 x 1.5 mm THK  
**UL** Tube Ø12 x 2.5 mm THK  
**UM** Tube Ø14 x 2.5 mm THK  
**UN** Tube Ø12 x 1.0 mm THK  
**UO** Tube Ø14 x 1.0 mm THK  
**UP** Tube Ø16 x 2.0 mm THK

## 10. IMMERSION LENGTH ("U")

**XXXX** 50 mm up to 1000 mm

## 11. TIP THICKNESS ("t")

**M** 5 mm  
**N** 6.35 mm (1/4")  
**O** 10 mm

## 12. OTHER OPTIONS

**XI** Plug & chain in SS  
**XM** Marking by engraving  
**TC** Material test certificate 3.1  
**TD** Dye penetration test  
**TM** Material test certificate 2.2  
**TH** Hydro test certificate

Ordering Example : W101-S-MC-MC-02N-14N-H-27-50-U1-100-M-XM

## NOTES:

1. Other pipe/tube sizes, "U" lengths, connections are available. please contact factory for details.

2. Please refer "Technical Guidance Sheet" for the proper selection of connections according to Head size and Outer diameter of the well.