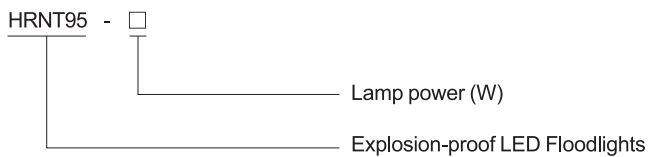


LED Light Fittings HRNT95 Series Explosion-proof LED Floodlights



- ◆ Explosion protection to
 - CENELEC
 - IEC
 - NEC
- ◆ Can be used in
 - Zone 2
 - Zone 22
 - Class I, Zone 2
 - Class I, Division 2, Groups A, B, C, D
- ◆ Applicable lamp and power (max.300W)
LED: 80W, 120W, 240W, 300W
- ◆ International brand white light LED, reasonable arrangement of multi LED, high lighting efficiency and long service life.
- ◆ Two types of light distribution: spotlight and floodlight, which can be selected on request.
- ◆ Standard luminaries equip with 60° lens, 30° lens which is optional, please indicate when placing an order.
- ◆ Low-maintenance due to long service life of up to 100,000 operating hours.

Catalogue number logic



Selection table

Type/Ordering code	Lamp power (W)	Weight (kg)	Type/Ordering code	Lamp power (W)	Weight (kg)
HRNT95-80	80	10.00	HRNT95-240	240	12.50
HRNT95-120	120	11.00	HRNT95-300	300	13.00

Note: 1. Standard products with 60° lens, 30° lens which is optional, please indicate when placing an order.
2. Standard luminaries do not equip with wire guard, if need, please specify.

Zones 2; 22



LED Light Fittings

HRNT95 Series Explosion-proof LED Floodlights

Technical data	
Explosion-proof LED floodlights HRNT95-□	
Explosion protection	
Gas explosion protection	⊕ II 3 G Ex nR IIC T□ ¹⁾ Gc
Dust explosion protection	⊕ II 3 D Ex tc IIIC T□ ¹⁾ Dc IP66
	¹⁾ See Selection Table
Certificates	ATEX (applied for); IECEx EUT 18.0003X
Conformity to standards	EN 60079-0, EN 60079-15, EN 60079-31 IEC 60079-0, IEC 60079-15, IEC 60079-31
Material	
Enclosure	Copper-free aluminium, powder coated surface,
Glass cover	Toughened glass, stands 4J impact
LED driver	Wide voltage input, CC-CV (constant current - constant voltage) output, power factor ≥ 0.95, with function of distributed current, constant current, surge-proof and anti-electromagnetic interference, and protection against overcurrent, open circuit, and short circuit.
Exposed fastener	Stainless steel
Lamp	
Lamp specification	LED module, Multiple LED
Lamp power (W)	80W, 120W, 240W, 300W
Colour Temperature (CCT)	Nature white: 5000±300K Note: nature white is available in general. Warm white (3000±200K) is optional, please specify when ordering.
Rated voltage	100~277V AC 50/60Hz, 130~250V DC
Degree of protection	IP66
Ambient temperature	-40°C~+55°C
Terminal	3 x 1.5~2.5mm ² (L+N+PE)
Cable	1x M20 x 1.5 cable gland (DQM-I Ex e)

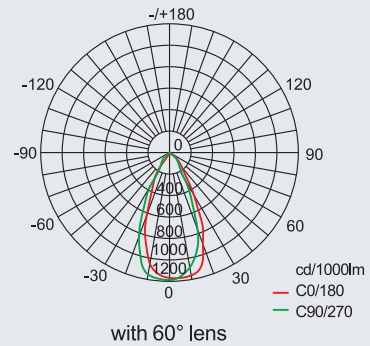
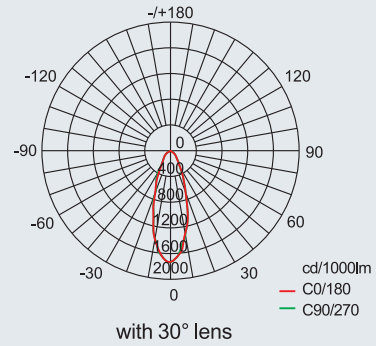


Selection table				
Rated power(W)	Temperature classification			
	-40°C ≤ Ta ≤ +40°C		-40°C ≤ Ta ≤ +55°C	
	Gas	Dust	Gas	Dust
80	–	–	T6	T80°C
120, 240, 300	T6	T80°C	T5	T95°C

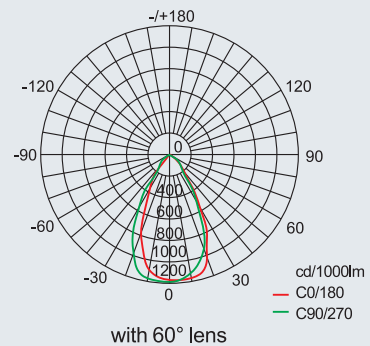
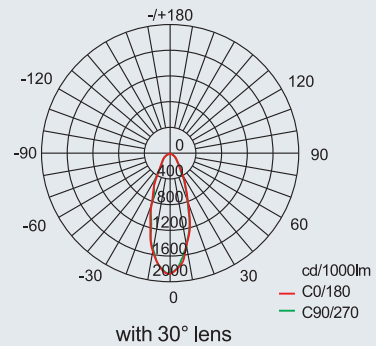
LED Light Fittings HRNT95 Series Explosion-proof LED Floodlights

Photometric data Note: Standard products with 60° lens, 30° lens which is optional, please indicate when placing an order.

HRNT95- □
 Rated luminous flux
 80W LED: 9750lm
 120W LED: 13920lm
 Luminous efficacy
 80W LED: 122lm/W
 120W LED: 116lm/W



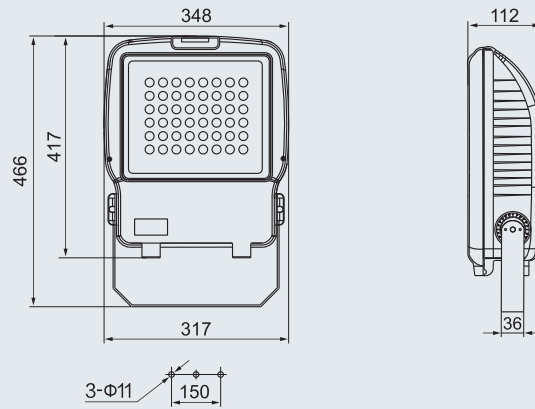
HRNT95- □
 Rated luminous flux
 240W LED: 29650lm
 300W LED: 39065lm
 Luminous efficacy
 240W LED: 124lm/W
 300W LED: 130lm/W



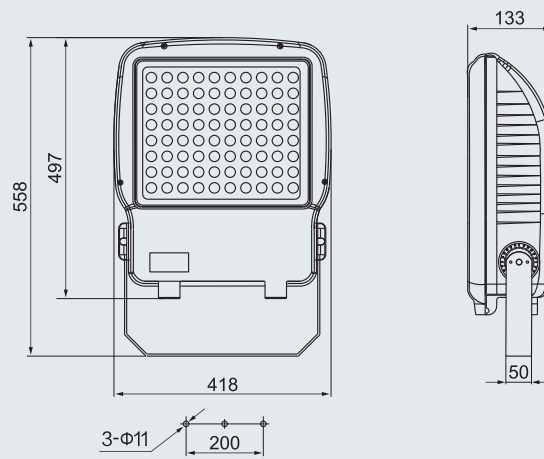
We can provide lighting design and data by professional lighting software DIALUX based upon simulated site situation on request.

LED Light Fittings
HRNT95 Series Explosion-proof LED Floodlights

Dimension drawings (all dimensions in mm) - subject to alteration



HRNT95-80 / HRNT95-120



HRNT95-240 / HRNT95-300



Accessories

Picture	Name	Ordering code	Weight (kg)
	80W/120W Wire guard	95009	0.40
	240W/300W Wire guard	95010	0.55