

Technical specification

Housing:	SO 57
Dimensions:	130x93 mm
Material:	aluminium with safety window
Type of protection:	II 2GD Ex d IIC T4/T5/T6 Gb Ex tb IIIC T85°C/T100°C/T135°C
IP protection:	IP66/67
EC-type examination certificate:	BVI 14 ATEX 0068X IECEX EPS 14.0086X
Maximum application temperature:	-30°C bis +60°C
Ex de connector:	ExLink



Description

Together with our **partner TecTrade Solution** Exepd offer a **complete camera system** for application in potentially explosive atmospheres.

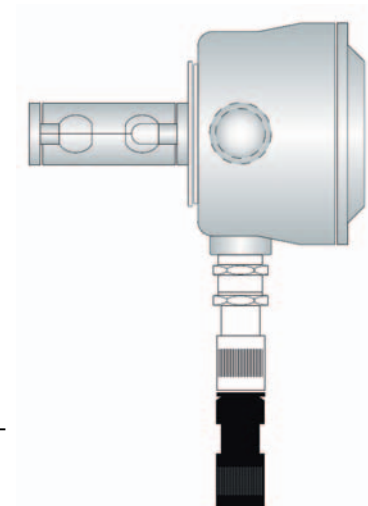
The intelligent, high-resolution, peripheral IP camera system with event-processing option is intended for **optical process and system monitoring**.

The camera system is certified according to Directive **94/9/EC** for **Zone 1 (gas subclass IIC)** and for **Zone 21**.

For wall installation, a matching **swivellable wall bracket** for mechanical adjustment of the viewing angle is included in the scope of delivery.

Electrical connection is performed via a pre-assembled plugged connector of type exLink.

The image-processing software is included in the scope of delivery.



Camera features

- ◆ Digital swivelling, tilting, and zooming (variable up to 8x)
- ◆ Triggering of events by means of integrated multiple-window movement detection
- ◆ Day sensor HiRes
- ◆ Resolution max. 2048 x 1536 (3 Mega)
- ◆ Triggering of alarm
- ◆ Pre- and post-alarm images
- ◆ Alarm transmission to PLS via BUS or binary contacts (optional)
- ◆ Integrated image-processing function
- ◆ Power supply via POE (power over ethernet)
- ◆ Ethernet 10/100 interface

In case of questions about the camera system, please contact our partner:
TecTrade Solution GmbH, Dr.-Julius-Leber-Str. 17, 67433 Neustadt/Weinstr. Germany
Tel.: ++ 49(0)6321/952183 / Fax: ++49(0)6321/952196
E-Mail: morpheus@tectradesolution-gmbh.de