

FEATURES

- Solid front with full blow back
- All stainless steel system
- External zero adjustment
- Dry / liquid filled
- CE marking

APPLICATION

- Oil & Gas applications
- High pressure applications
- Corrosive & Hazardous environments

External Zero Adjustment



STANDARD PARAMETERS

Accuracy	: CL 1.0
Ambient temperature	: -40...+65°C (without dampening liquid)
	: -20...+65°C (with dampening liquid)
Service temperature	: 300°C max.
Pressure limits	: Steady pressure up to FS value
	: Fluctuating pressure up to 90% of FS value
	: Short time 1.3 x FS value for range up to 100 bar
	: Short time 1.15 x FS value for range above 100 bar
Weld joints	: TIG argon arc welding

MATERIAL OF CONSTRUCTION

Sensing element	: Bourdon Tube (<100 bar : C - type , >100 bar : Helical)
Case & Ring material	: AISI 304 SS (Bayonet type)
Bourdon tube & Shank	: AISI 316L SS (Shank welded directly to case)
Movement mechanism	: AISI 304 SS
Dial	: Aluminum, black graduation on white background
Pointer	: Micro-zero adjustable, aluminum, black powder coated
Gaskets & filling plug	: Neoprene / NBR
Window	: Shatterproof safety glass
Blow off disc	: AISI 304 SS
Diaphragm	: NBR

STANDARD SPECIFICATIONS

Dial size	: DN100 / DN150
Range	: -1...0...1,600 bar
Mounting pattern	: Direct, Bottom connection
Process connection	: 1/2" NPT (M) / 1/2" BSP (M)
Ingress protection	: IP 65
Execution	: Dry but fillable
Zero adjustment	: External screw with locking mechanism

STANDARD SPECIFICATIONS : DAMPENING LIQUID FILLED, GLYCERIN

Window	: Shatterproof safety glass
Dampening liquid	: Glycerin 99.7% [Service temperature up to 65°C]

TEMPERATURE EFFECT

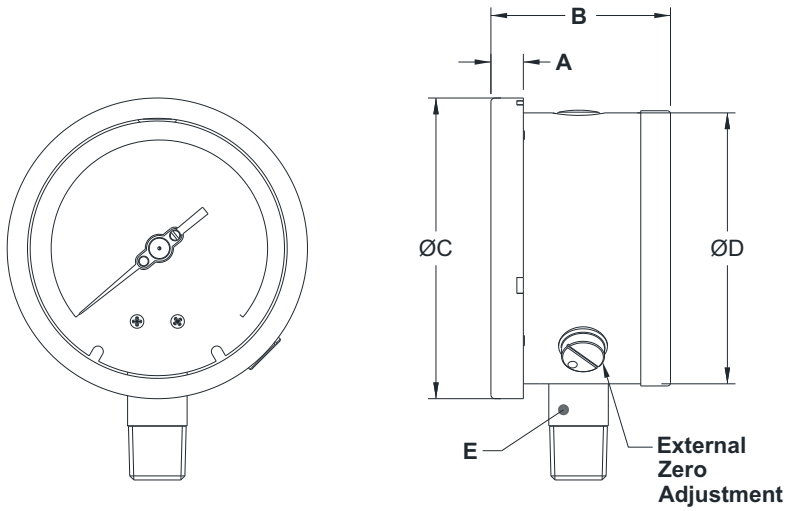
When temperature of the measuring system deviates from reference temperature (+20°C) max error $\pm 0.4\%$ / 10K of true scale value.

REFERENCE

EN 837-1, PED 97/23/EC

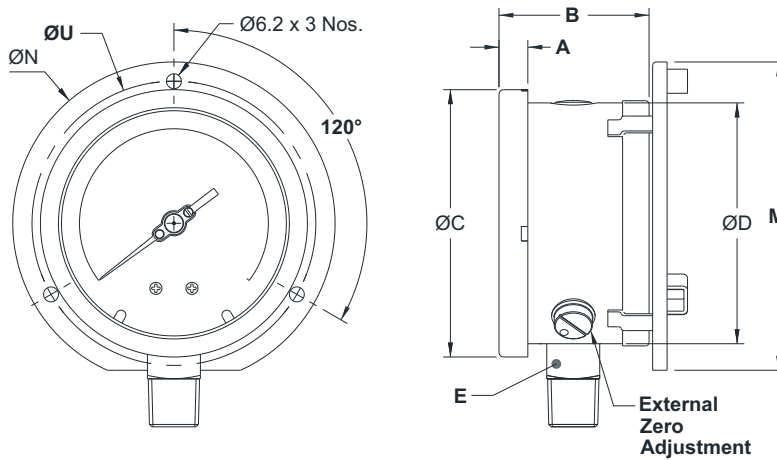
DIMENSIONAL DRAWING

Type B0



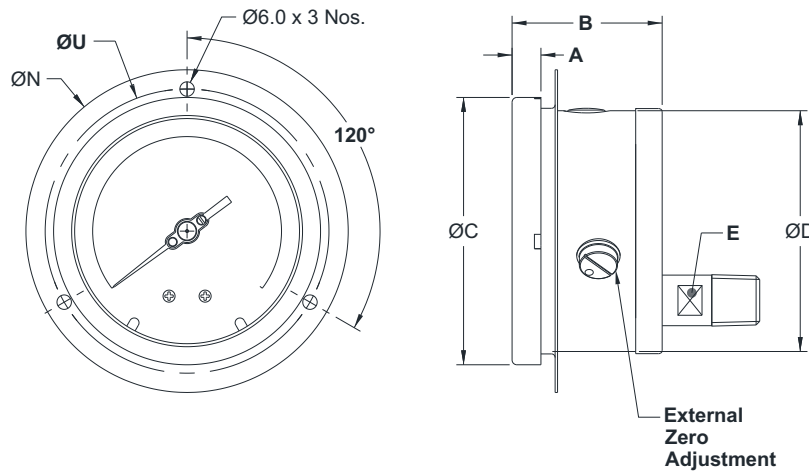
DN	A	B	ØC	ØD	E	Weight (grams)
100	12	66.5	111	100	SQ.22	874
150	17	68.5	161	149	SQ.22	1682

Type B1



DN	A	B	ØC	ØD	E	M	ØN	ØU	Weight (grams)
100	12	66.5	111	100	SQ.22	128	134	118	9553
150	17	68.5	161	149	SQ.22	172	186	168	1790

Type L1



DN	A	B	ØC	ØD	E	ØN	ØU	Weight (grams)
100	12	66.5	111	100	A/F-17	134	118	950
150	17	68.5	161	149	A/F-17	186	168	1798

All dimensions are in mm.

ORDERING CODES

1. DIAL SIZE		04	7. OTHER OPTIONS		XX
04	100 mm / 4"		BA	Case & Ring in AISI 316 SS (B0)	
06	150 mm / 6"	XXX	BB	Case & Ring in AISI 316 SS (B1)	
2. RANGE			EM	Dampening screw, Monel	
XXX	Refer "Range Table"	B0	EN	Dampening screw, AISI 316 SS	
3. MOUNTING PATTERN			EX	Internal overload stop	
B0	Direct, Bottom connection	14N	EY	Internal vacuum stop	
B1	Wall/Surface/Projection mounting, Bottom connection		EZ	Pointer stop on dial	
B2	2" Pipe/Yoke mounting, Bottom connection		GL	AISI 316 SS movement	
L1	Panel/Front flange mounting, Lower Back connection ⁴		GM	Dampened movement	
4. PROCESS CONNECTION		ER	GW	Maximum Reading pointer ²	
12B	1/4" BSP (M)		GX	Knife edge pointer	
12N	1/4" NPT (M)	EB	MN	Monel wetted parts	
13B	3/8" BSP (M)		OP	Overrange protection 1.5xFS	
14B	1/2" BSP (M)		OS	High overpressure protection ⁶	
14M	M20 X 1.5 mm (M)		P8	Epoxy coating (Case & Ring)	
14N	1/2" NPT (M)		R9	Receiver gauge ³	
5. INGRESS PROTECTION			RA	Rubber parts, Viton	
ER	IP 65		RW	Vent plug, ON-OFF type	
ES	IP 66		TA	5 - point calibration certificate	
ET	IP 67		TC	Material test certificate 3.1	
6. EXECUTION			TE	CE certificate	
EA	Dry	TI	IBR certification		
EB	Dry but fillable	TL	Helium leak testing		
EG	Dampening liquid filled, glycerine	TM	Material test certificate 2.2		
EH	Dampening liquid filled, silicon oil ²	TN	Tested to NACE standards		
		TO	Certification for Oxygen service		
		TP	Performance test		
		TT	C.C. with NABL traceability		
		XA	Accuracy CL 0.5 / CL 0.6 of FS		
		XF	SS tag plate, AISI 304 SS		
		XG	SS tag plate, AISI 316 SS		
		XR	Custom designed dial		
		XT	Dial tag marking		

Ordering Example : P202-04-XXX-B0-14N-ER-EB

RANGE V/s OVER RANGE	
RANGE "bar"	OVER RANGE "bar"
0...1	4
0...1.6	6
0...2.5	10
0...4	16
0...6	25
0...10	40
0...16	48
0...25	75
0...40	80
0...60	120
0...100	200
0...160	320
0...250	500
0...400	800
0...600	1200

NOTES

- For other connections, please contact factory.
- Available in dry version only with accuracy CL 1.0 or above.
- Please specify the second scale required.
- Available in dry version only.
- C.C. = Calibration Certificate
- Refer Range V/s Overpressure table.