

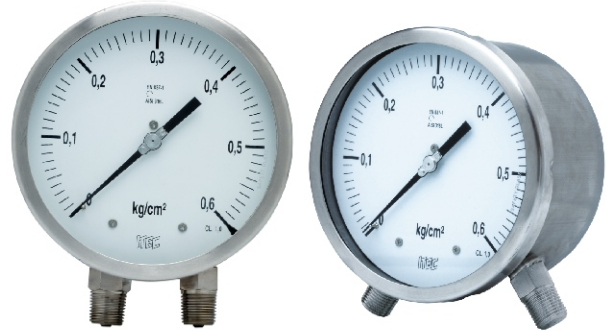
FEATURES

- All SS measuring system
- Static pressure 40 bar max.
- External Zero adjustment
- Electric contact version
- Suitable for direct valve mounting

APPLICATION

- Liquid & gaseous mediums
- Corrosive environments
- Oil & Gas applications
- Chemical & Petrochemical
- Food & Beverages
- Nuclear power plants

Bellow



STANDARD PARAMETERS

Accuracy	:	±1.0 of FS (range ≤ 1 bar), ±1.6 of FS (range ≥ 1 bar)
Ambient temperature	:	-40...+65°C (without dampening liquid)
	:	-20...+65°C (with dampening liquid)
Service temperature	:	100°C max.
Static pressure limits	:	6 bar up to 0.4 bar 25 bar up to 1 bar...2.5 bar 40 bar up to 4 bar...16 bar

MATERIAL OF CONSTRUCTION

Sensing element	:	Bellows
Case & Ring material	:	AISI 304 SS (Bayonet type)
Bellow	:	AISI 316L SS
Movement mechanism	:	AISI 304 SS
Dial	:	Aluminum, black graduation on white background
Pointer	:	Micro-zero adjustable, aluminum, black powder coated
Gaskets & filling plug	:	Neoprene / NBR
Window	:	Shatterproof Safety Glass

STANDARD SPECIFICATIONS

Dial size	:	DN150
Range	:	100 mbar...0...16 bar
Mounting pattern	:	Direct, Bottom connection
Process connection	:	½" NPT (M) x 2 Nos.
Ingress protection	:	IP 65
Execution	:	Dry

STANDARD SPECIFICATIONS : DAMPENING LIQUID FILLED, GLYCERIN

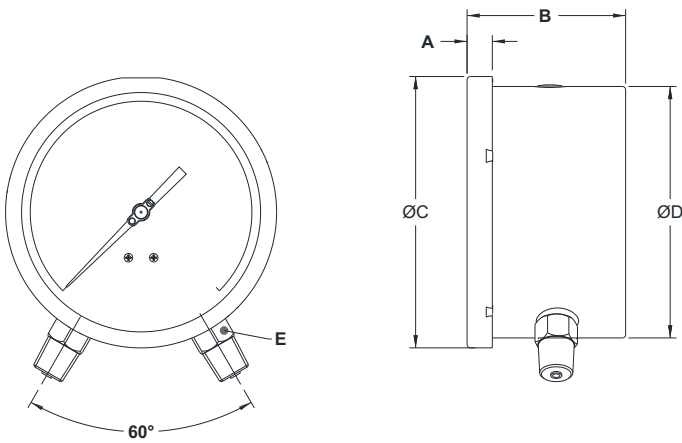
Accuracy	:	CL 2.5
Window	:	Plexi glass
Dampening liquid	:	Glycerin 99.7% [Service temperature up to 65°C]

STANDARD SPECIFICATIONS : ELECTRIC CONTACT VERSION

Accuracy	:	CL 2.5
Window	:	Poly carbonate dome
Switch	:	1NO; Make contact
Dampening liquid	:	Dielectric oil (Optional)
Electrical termination	:	4 pin PG13.5 connector

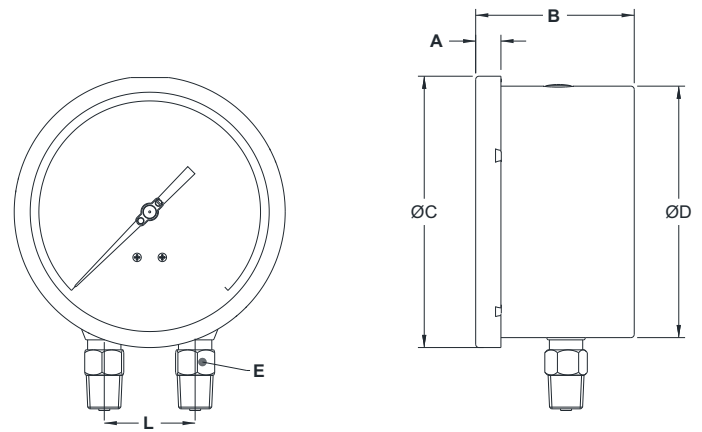
DIMENSIONAL DRAWING

Type B0



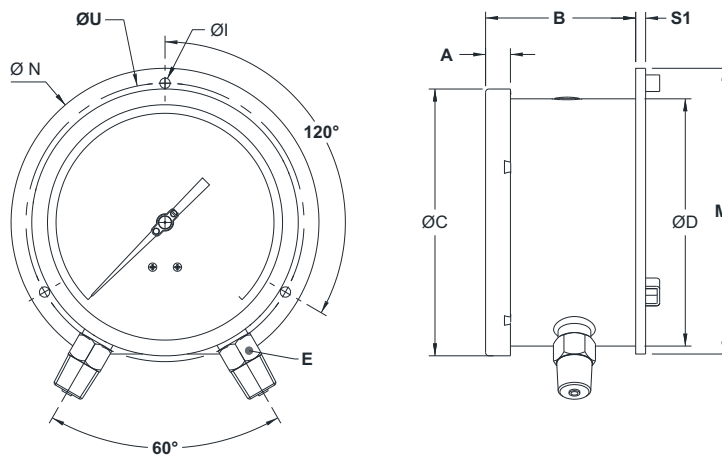
DN	A	B	ØC	ØD	E	Weight (grams)
150	15	94	161	149	A/F-22	1840

Type B0



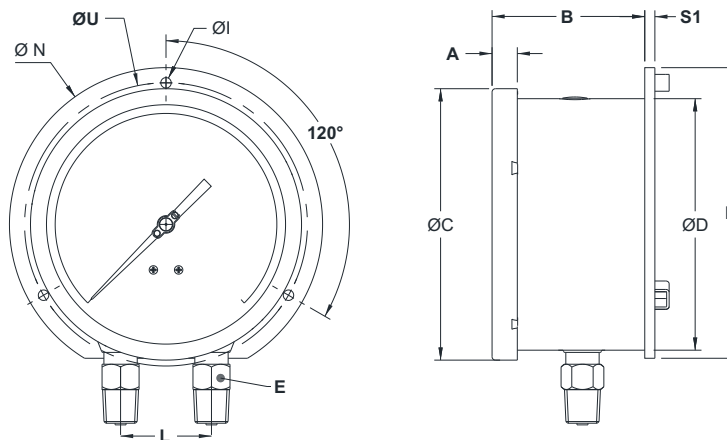
DN	A	B	ØC	ØD	E	Weight (grams)
150	15	94	161	149	A/F-22	1840

Type B1



DN	A	B	ØC	ØD	E	ØI	M	ØN	S1	ØU	Weight (grams)
150	15	98	161	149	A/F-22	6	172	186	6	168	2020

Type B1

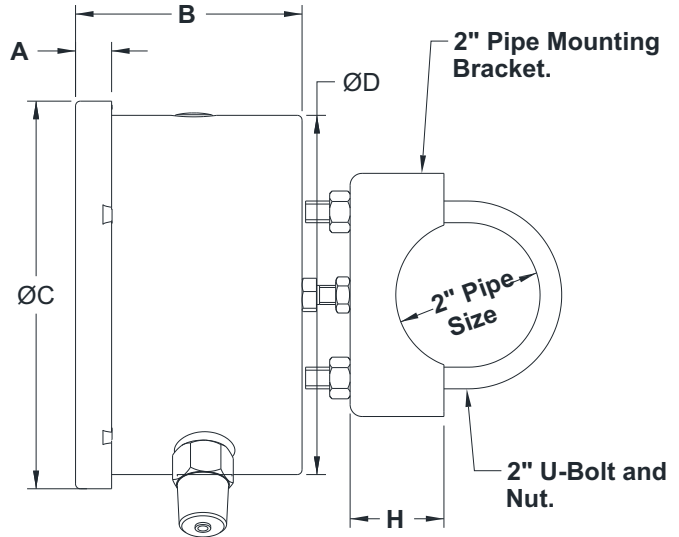
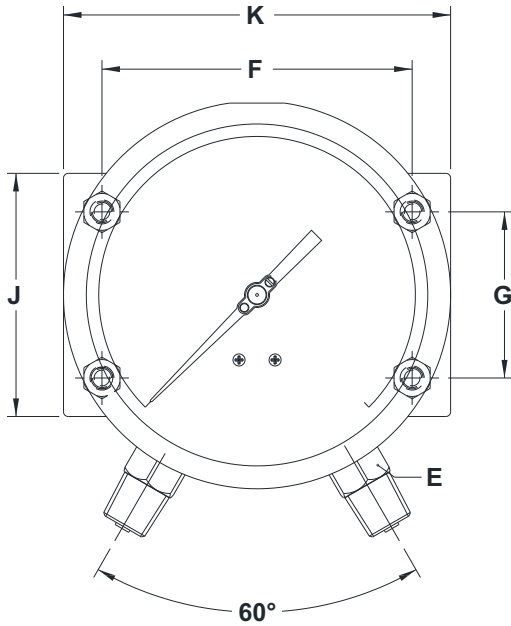


DN	A	B	ØC	ØD	E	ØI	L	M	ØN	S1	ØU	Weight (grams)
150	15	98	161	149	A/F-22	6	54	172	186	6	168	2020

All dimensions are in mm.

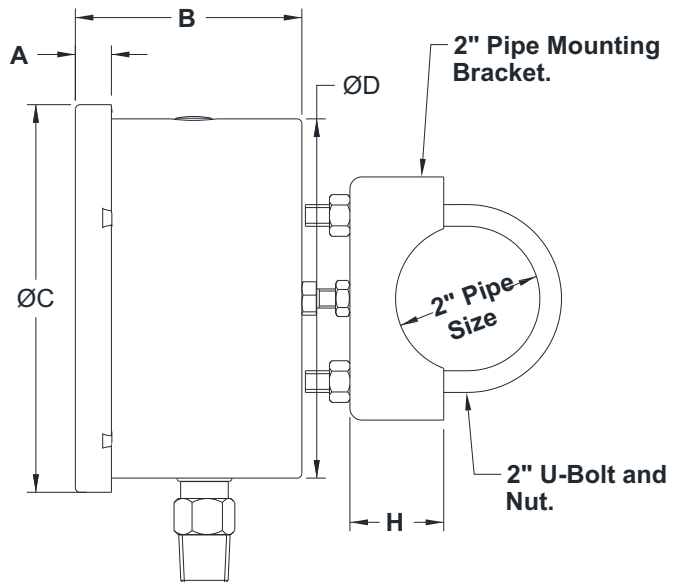
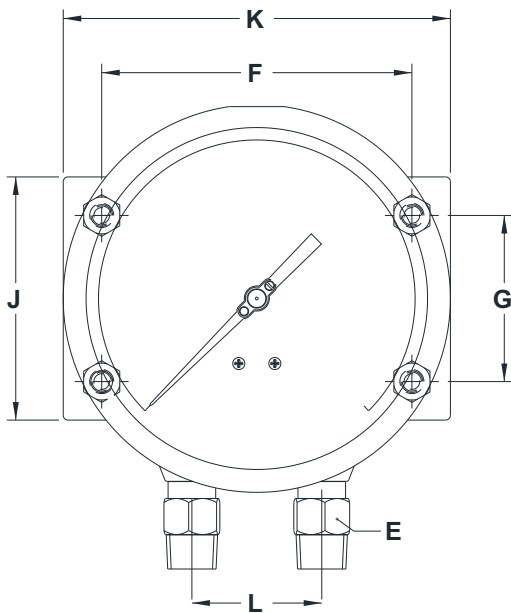
DIMENSIONAL DRAWING

Type B2



DN	A	B	ØC	ØD	E	F	G	H	J	K	Weight (grams)
150	15	94	161	149	A/F-22	129	69	39	101	161	2914

Type B2



DN	A	B	ØC	ØD	E	F	G	H	J	K	L	Weight (grams)
150	15	94	161	149	A/F-22	129	69	39	101	161	54	2914

All dimensions are in mm.

ORDERING CODES

1. DIAL SIZE		06	9. ELECTRIC CONTACT		XX
06	150 mm / 6"		CS1	Break contact (1NC)	
2. RANGE		XXX	CS2	Make contact (1NO)	
XXX	Refer "Range Table"		CS3	2 x Break contact (2NC)	
3. MOUNTING PATTERN		B0	CS4	2 x Make contact (2NO)	
B0	Direct, Bottom connection		CS5	1 Break + 1 Make (1NC+1NO)	
B1	Wall/Surface/Projection mounting, Bottom connection		CS6	1 Make + 1 Break (1NO+1NC)	
B2	2" Pipe/Yoke mounting, Bottom connection		CD1	Break contact (1NC)	
4. PROCESS CONNECTION		14N	CD2	Make contact (1NO)	
14B	1/2" BSP (M) x 2 Nos.		CD3	2 x Break contact (2NC)	
14M	M20 x 1.5 mm (M) x 2 Nos.		CD4	2 x Make contact (2NO)	
14N	1/2" NPT (M) x 2 Nos.		CD5	1 Break + 1 Make (1NC+1NO)	
5. INGRESS PROTECTION		ER	CD6	1 Make + 1 Break (1NO+1NC)	
ER	IP 65		CD7	SPDT	
6. EXECUTION		EA	CD8	DPDT	
EA	Dry		CI1	Break contact (1NC)	
EG	Dampening liquid filled, glycerine		CI2	Make contact (1NO)	
EH	Dampening liquid filled, silicon oil ³		CI3	2 x Break contact (2NC)	
EK	Dampening liquid, dielectric oil ³		CI4	2 x Make contact (2NO)	
7. CHAMBER TYPE		1	CI5	1 Break + 1 Make (1NC+1NO)	
1	Pattern 1 (Angular : 60° apart)		CI6	1 Make + 1 Break (1NO+1NC)	
2	Pattern 2 (Straight : C-C = 54mm)		CI9	Booster relay for current up to 5A	
8. SWITCH CATEGORY		XX	10. OTHER OPTIONS		XX
RR	Economic contacts		BA	Case & Ring in AISI 316 SS (B0)	
RS	Precision contacts		BB	Case & Ring in AISI 316 SS (B1)	
RT	ATEX / CE approved contacts		BC	Case & Ring in AISI 316 SS (B2)	
			GL	AISI 316 SS movement	
			G6	6 pin, M20 x 1.5 mm connector	
			RA	Rubber parts, Viton	
			RW	Vent plug, ON-OFF type	
			TA	5 - point calibration certificate	
			TC	Material test certificate 3.1	
			TM	Material test certificate 2.2	
			TN	Tested to NACE standards	
			XF	SS tag plate, AISI 304 SS	
			XG	SS tag plate, AISI 316 SS	
			XR	Custom designed dial	
			XT	Dial tag marking	

Ordering Example : P303-06-XXX-B0-14N-ER-EA-1

NOTES

- For other connections, please contact factory.
- Electric contacts are available from range 0...1 bar
- Rubber parts shall be in Viton.