

## FEATURES

- All SS measuring system
- Socket-case, direct welded
- Threaded / Flanged connection
- Over-pressure safety up to 10 times FS max. 40 bar

## APPLICATION

- Liquid & gaseous media
- Corrosive environments
- Oil & Gas applications
- Chemical & Petrochemical
- Machine building
- General plant construction

**Diaphragm**  
(Old model code : P400 & P400CE)



### STANDARD PARAMETERS

Accuracy	:	CL 1.6
Ambient temperature	:	-20...+60°C / -40...+60°C with silicon oil dampening
Service temperature	:	100°C max.
Pressure limits	:	Over pressure up to 1.3 FS value Steady pressure up to FS value Fluctuating pressure up to 90% of FS value
Weld joint	:	TIG argon arc welding

### MATERIAL OF CONSTRUCTION

Sensing element	:	Diaphragm
Case & Ring material	:	AISI 304 SS (Bayonet type)
Diaphragm	:	≤ 16 bar - AISI 316L SS, > 16 bar Inconel 718
Chamber	:	AISI 316 SS (lower and upper diaphragm housing)
Shank	:	AISI 316L SS
Movement mechanism	:	AISI 304 SS
Chamber sealing gaskets	:	FPM / FKM
Dial	:	Aluminum, black graduation on white background
Pointer	:	Micro-adjustable, aluminum, black powder coated
Gaskets, Blow off disc & filling plug	:	NBR
Window	:	Shatterproof safety glass

### STANDARD SPECIFICATIONS

Dial size	:	DN100 / DN160
Range	:	0...10 to 0...16 mbar (flange Ø 174 mm) 0... 25 to 0...250 mbar (flange Ø 150 mm) 0...0.4 to 0...40 bar (flange Ø 100 mm)
Mounting pattern	:	Direct, Bottom connection
Process connection	:	1/2" NPT (M) / 1/2" BSP (M)
Ingress protection	:	IP 65 - EN 60529 / IEC 529
Execution	:	Dry

### STANDARD SPECIFICATIONS : DAMPENING LIQUID FILLED, GLYCERIN

Window	:	Shatterproof safety glass
Dampening liquid	:	Glycerin [Service temperature up to 65°C]

### TEMPERATURE EFFECT

When temperature of the measuring system deviates from reference temperature (+20°C) max error ±0.8% / 10K of true scale value.

## REFERENCE

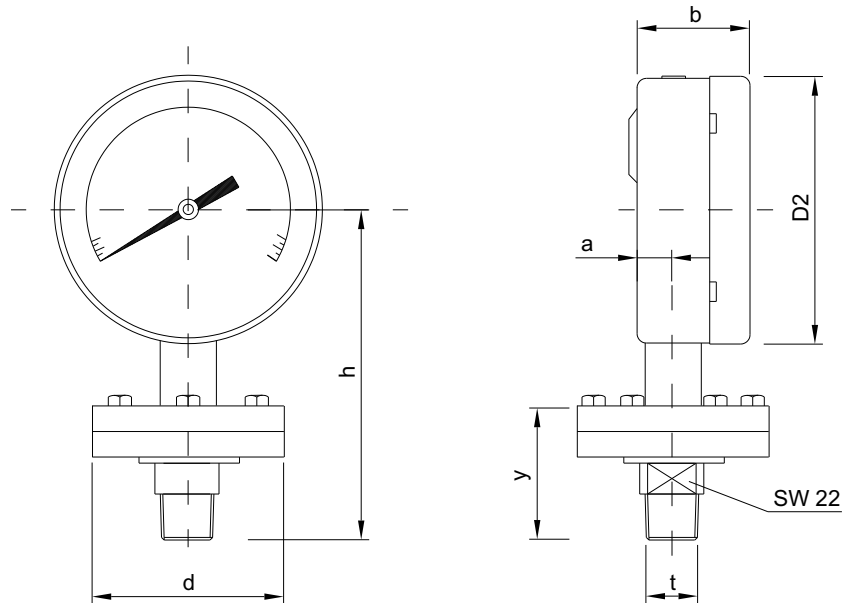


EN 837-3

II 2 GD c

DIMENSIONAL DRAWING

Type B0



All dimensions are in mm.

Range	DN	d	a	b	D2	t	h±2	y	Weight (Kg)
mbar	100		17	52	100	½" BSP or ½" NPT	130	50	2.6
0/10 to 0/16	160	174	17	52	150	½" BSP or ½" NPT	150	50	3.2
mbar	100		17	52	100	½" BSP or ½" NPT	130	55	2.6
0/25 to 0/250	160	150	17	52	150	½" BSP or ½" NPT	155	55	3.2
bar	100		17	52	100	½" BSP or ½" NPT	130	55	1.8
0/0.4 to 0/40	160	98	17	52	150	½" BSP or ½" NPT	155	55	2.2

ELECTRIC CONTACT DETAILS				
Switch type	Contacts	Action	Rating	Code
Normally closed (1NC)	Single	Break contact	230VAC/1A; 48VDC/0.5A	CD1
Normally open (1NO)	Single	Make contact	230VAC/1A; 48VDC/0.5A	CD2
Normally closed (2NC)	Double	Break contact	230VAC/1A; 48VDC/0.5A	CD3
Normally open (2NO)	Double	Make contact	230VAC/1A; 48VDC/0.5A	CD4
Normally closed + Normally open (1NC+1NO)	Double	Break contact + Make contact	230VAC/1A; 48VDC/0.5A	CD5
Normally open + Normally closed (1NO+1NC)	Double	Make contact + Brake contact	230VAC/1A; 48VDC/0.5A	CD6
SPDT	Single		230VAC/1A; 48VDC/0.5A	CD7
DPDT	Double		230VAC/1A; 48VDC/0.5A	CD8
Normally closed (1NC)	Single	Break contact	220VAC/0.4A	CI1
Normally open (1NO)	Single	Make contact	220VAC/0.4A	CI2
Normally closed (2NC)	Double	Break contact	220VAC/0.4A	CI3
Normally open (2NO)	Double	Make contact	220VAC/0.4A	CI4
Normally closed + Normally open (1NC+1NO)	Double	Break contact + Make contact	220VAC/0.4A	CI5
Normally open + Normally closed (1NO+1NC)	Double	Make contact + Brake contact	220VAC/0.4A	CI6

NOTES

- Codes starts with "CD" denomination are magnetic contacts and "CI" are Inductive contacts.
- Inductive contacts are ATEX approved.

**ORDERING CODES**
**1. DIAL SIZE**

<b>04</b>	100 mm / 4"
<b>06</b>	160 mm / 6"

**04**
**2. RANGE**

<b>XXX</b>	Refer "Range Table"
------------	---------------------

**XXX**
**3. MOUNTING PATTERN**

<b>B0</b>	Direct, Bottom connection
-----------	---------------------------

**B0**
**4. PROCESS CONNECTION**

<b>12B</b>	1/4" BSP (M)	<b>12N</b>	1/4" NPT (M)
<b>13B</b>	3/8" BSP (M)	<b>14B</b>	1/2" BSP (M)
<b>14M</b>	M20 X 1.5 mm (M)	<b>14N</b>	1/2" NPT (M)
<b>A25</b>	1 1/2" RF 150# as per ANSI B 16.5		
<b>A26</b>	1 1/2" RF 300# as per ANSI B 16.5		
<b>A31</b>	2" RF 150# as per ANSI B 16.5		
<b>A32</b>	2" RF 300# as per ANSI B 16.5		
<b>D42</b>	DN40 PN10 as per EN 1092 - 1		
<b>D44</b>	DN40 PN25 as per EN 1092 - 1		
<b>D52</b>	DN50 PN10 as per EN 1092 - 1		
<b>D54</b>	DN50 PN25 as per EN 1092 - 1		

**14N**

\* Other flange sizes available on request.

**5. INGRESS PROTECTION**

<b>ER</b>	IP 65
-----------	-------

**ER**
**6. EXECUTION**

<b>EA</b>	Dry
<b>EG</b>	Dampening liquid filled, glycerine
<b>EH</b>	Dampening liquid filled, silicon oil <sup>2</sup>

**EA**
**7. SWITCH CATEGORY**

<b>RS</b>	Precision contacts (magnetic)
<b>RT</b>	ATEX / CE approved contacts (inductive)

**XX**
**8. ELECTRIC CONTACT**

<b>CD1</b>	Break contact (1NC)
<b>CD2</b>	Make contact (1NO)
<b>CD3</b>	2 x Break contact (2NC)
<b>CD4</b>	2 x Make contact (2NO)
<b>CD5</b>	1 Break + 1 Make (1NC+1NO)
<b>CD6</b>	1 Make + 1 Break (1NO+1NC)
<b>CD7</b>	SPDT
<b>CD8</b>	DPDT
<b>CI1</b>	Break contact (1NC)
<b>CI2</b>	Make contact (1NO)
<b>CI3</b>	2 x Break contact (2NC)
<b>CI4</b>	2 x Make contact (2NO)
<b>CI5</b>	1 Break + 1 Make (1NC+1NO)
<b>CI6</b>	1 Make + 1 Break (1NO+1NC)
<b>CI9</b>	Booster relay for current up to 5A

**XXX**
**7. OTHER OPTIONS**

<b>BA</b>	Case & Ring in AISI 316 SS (B0)
<b>EY</b>	Vacuum safe up to -1 bar
<b>OQ</b>	Over-pressure up to 5 times of FS <sup>4</sup>
<b>OR</b>	Over-pressure up to 10 times of FS <sup>4</sup>
<b>PC</b>	PTFE lining / coating on wetted parts
<b>PK</b>	Hastelloy wetted parts
<b>PM</b>	Monel wetted parts
<b>TA</b>	5 - point calibration certificate
<b>TC</b>	Material test certificate 3.1
<b>TM</b>	Material test certificate 2.2
<b>TO</b>	Certification for Oxygen service
<b>TX</b>	ATEX certificate
<b>XB</b>	Accuracy CL 1.0
<b>XF</b>	SS tag plate
<b>XH</b>	Flushing plug on lower body
<b>XR</b>	Custom designed dial
<b>XT</b>	Dial tag marking

**XX**
**Ordering Example : P604-04-XXX-B0-14N-ER-EA-XX-XXX-XX**
**NOTES**

- For other connections, please contact factory.
- Rubber parts shall be in Viton.

- For electrical contact details, refer model P501.
- Maximum pressure shall be 40 bar.