

## FEATURES

- Integrated gauge seal assembly
- Laser welded diaphragm
- Reduced vibration/pulsation

## APPLICATION

- Sanitary, food & beverages
- Pharmaceutical & paints
- Bacterial & fungal accumulates which contaminates the process

### Diaphragm Seal



#### STANDARD PARAMETERS

Accuracy	:	CL 1.6
Ambient temperature	:	-40...+65°C (without dampening liquid)
	:	-20...+65°C (with dampening liquid)
Service temperature	:	10...150°C max.
Pressure limits	:	Steady pressure up to FS value
	:	Fluctuating pressure up to 90% of FS value
	:	Short time 1.3 x FS value for range up to 100 bar
	:	Short time 1.15 x FS value for range above 100 bar
Weld joints	:	TIG argon arc welding

#### MATERIAL OF CONSTRUCTION

Sensing element	:	Diaphragm
Case & Ring material	:	AISI 304 SS (Bayonet type)
Diaphragm, Bourdon tube & Shank	:	AISI 316L SS
Movement mechanism	:	AISI 304 SS
Dial	:	Aluminum, black graduation on white background
Pointer	:	Fixed, aluminum, black powder coated
Gaskets & filling plug	:	Neoprene / NBR
Window	:	Plexi glass

#### STANDARD SPECIFICATIONS

Dial size	:	DN50 / DN63 / DN100
Range	:	-1...40 bar
Mounting pattern	:	Direct, Bottom connection
Process connection	:	1½" Sanitary connection
Seal filling fluid	:	Food grade oil [-20°C to 140°C]
Ingress protection	:	IP 65
Execution	:	Dry but fillable

#### STANDARD SPECIFICATIONS : DAMPENING LIQUID FILLED, GLYCERIN

Window	:	Plexi glass
Dampening liquid	:	Glycerin 99.7%

#### TEMPERATURE EFFECT

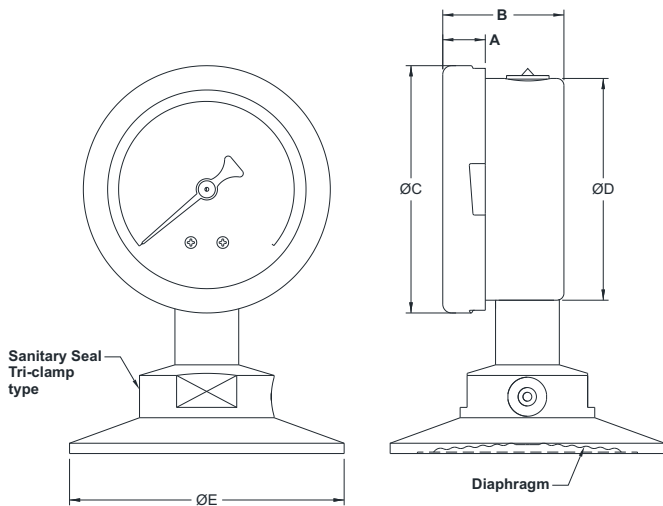
When temperature of the measuring system deviates from reference temperature (+20°C) max error  $\pm 0.4\%$  / 10K of true scale value.

## REFERENCE

EN 837-1

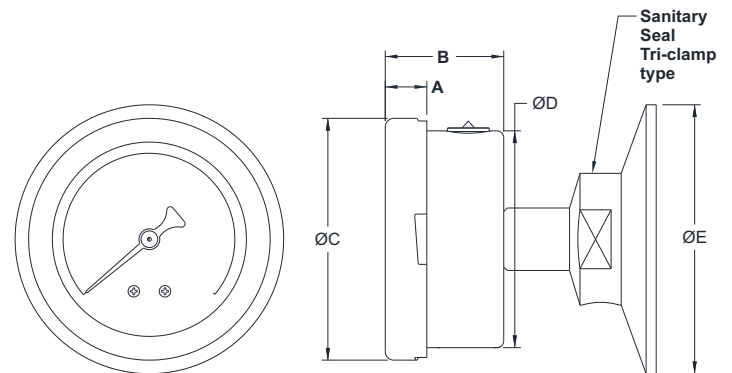
## DIMENSIONAL DRAWING

### Type B0



DN	Clamp Size	A	B	ØC	ØD	ØE	Weight (grams)
50	1½"	9	34	58.5	51	50.5	305
	2"	9	34	58.5	51	64	366
	2½"	9	34	58.5	51	77.5	499
63	1½"	12	33	69.7	62.5	50.5	394
	2"	12	33	69.7	62.5	64	455
	2½"	12	33	69.7	62.5	77.5	588

### Type R0



DN	Clamp Size	A	B	ØC	ØD	ØE	Weight (grams)
50	1½"	9	34	58.5	51	50.5	305
	2"	9	34	58.5	51	64	366
	2½"	9	34	58.5	51	77.5	499
63	1½"	12	33	69.7	62.5	50.5	394
	2"	12	33	69.7	62.5	64	455
	2½"	12	33	69.7	62.5	77.5	588

All dimensions are in mm.

## ORDERING CODES

### 1. DIAL SIZE

<b>02</b>	50 mm / 2"	<b>25</b>
<b>25</b>	63 mm / 2½"	
<b>04</b>	100 mm / 4"	

### 2. RANGE

<b>XXX</b>	Refer "Range Table"	<b>XXX</b>
------------	---------------------	------------

### 3. MOUNTING PATTERN

<b>B0</b>	Direct, Bottom connection	<b>B0</b>
<b>R0</b>	Centre, Back connection	

### 4. PROCESS CONNECTION

<b>T01</b>	1" Tri-clover connection	<b>T15</b>
<b>T15</b>	1½" Tri-clover connection	
<b>T02</b>	2" Tri-clover connection	

### 5. INGRESS PROTECTION

<b>ER</b>	IP 65	<b>ER</b>
<b>ES</b>	IP 66	
<b>ET</b>	IP 67	

### 6. EXECUTION

<b>EB</b>	Dry but fillable	<b>EB</b>
<b>EG</b>	Dampening liquid filled, glycerine	

### 7. OTHER OPTIONS

<b>GC</b>	Shatterproof safety glass	<b>XX</b>
<b>TA</b>	5 - point calibration certificate	
<b>TC</b>	Material test certificate 3.1	
<b>TM</b>	Material test certificate 2.2	
<b>XR</b>	Custom designed dial	
<b>XT</b>	Dial tag marking	
<b>XG</b>	SS tag plate, AISI 316 SS	
<b>XF</b>	SS tag plate, AISI 304 SS	

**Ordering Example : P701-25-XXX-B0-T15-ER-EB**

## NOTES

- For other connections, please contact factory.
- For Tri-clamp, Seal gasket and Bottom matting part, refer to catalogue model A302.