

FEATURES

- Compact design
- Sandwiched diaphragm
- Light weight
- Max. Pressure 10 bar

APPLICATION

- Water treatment plants
- Produce water applications
- Acidic & Chlorine applications
- Sewage & Effluent treatment
- Desalination & Deionization

Threaded



STANDARD PARAMETERS

Accuracy	:	CL 1.6
Ambient temperature	:	-40...+65°C (without dampening liquid)
Service temperature	:	10...150°C max.
Pressure limits	:	Steady pressure up to FS value
Weld joints	:	TIG argon arc welding

MATERIAL OF CONSTRUCTION

Sensing element	:	Diaphragm
Case & Ring material	:	AISI 304 SS (Bayonet type)
Bourdon tube & Shank	:	AISI 316L SS (Shank welded directly to case)
Movement mechanism	:	AISI 304 SS
Top chamber	:	Polypropylene (PP)
Seal gaskets	:	EPDM
Dial	:	Aluminum, black graduation on white background
Pointer	:	Micro-zero adjustable, aluminum, black powder coated
Gaskets & filling plug	:	Neoprene
Window	:	Safety glass

STANDARD SPECIFICATIONS

Dial size	:	DN100 / DN150
Range	:	0...1bar to 0...10 bar
Mounting pattern	:	Direct, Bottom connection
Process connection	:	1/2" NPT (F)
Seal filling fluid	:	Silicon DC 200
Ingress protection	:	IP 65
Execution	:	Dry
Diaphragm	:	PTFE
Bottom chamber	:	PVC

TEMPERATURE EFFECT

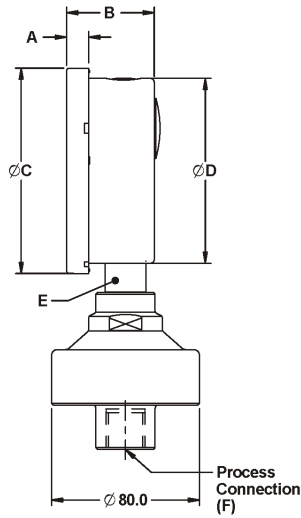
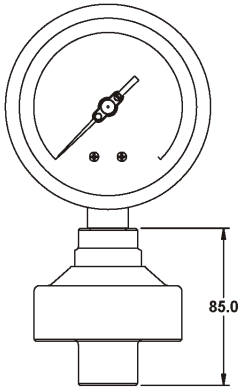
When temperature of the measuring system deviates from reference temperature (+20°C) max error $\pm 0.4\%$ / 10K of true scale value.

REFERENCE

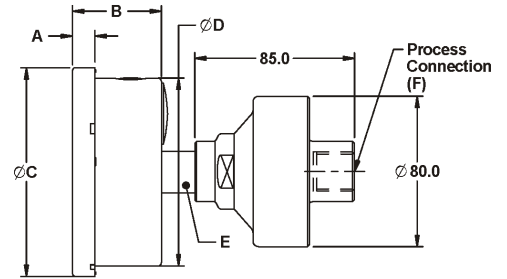
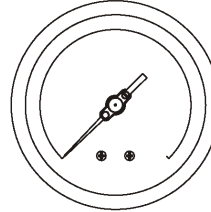
EN 837-1

DIMENSIONAL DRAWING

Type B0



Type R0



DN	A	B	ØC	ØD	E	Weight (grams)
100	12	48	111	111	SQ.22	736
150	15	48	161	149	SQ.22	1130

All dimensions are in mm.

ORDERING CODES

1. DIAL SIZE

04	100 mm / 4"
06	150 mm / 6"

2. RANGE

XXX Refer "Range Table"

3. MOUNTING PATTERN

B0	Direct, Bottom connection
R0	Center, Back connection

4. PROCESS CONNECTION

02B	1/4" BSP (F)	02N	1/4" NPT (F)
04B	1/2" BSP (F)	04N	1/2" NPT (F)
02M	M20X1.5mm(F)		

5. INGRESS PROTECTION

ER IP 65

6. EXECUTION

EA Dry

7. DIAPHRAGM MATERIAL

D2	PTFE	DM	Monel 400
DO	Hastelloy C-276	DQ	Inconel 600
DV	Titanium	DW	Tantalum

8. BOTTOM CHAMBER MATERIAL

N1	PVC
N2	PTFE
N4	Polypropylene (PP)

9. SEALING FLUID

OA	Silicon DC 200 [-40°C to 205°C]
OF	Food grade oil [-20°C to 140°C]
OG	Glycerine [10°C to 150°C]

10. OTHER OPTIONS

TA	5 - point calibration certificate
XR	Custom designed dial
XT	Dial tag marking
TC	Material test certificate 3.1
TM	Material test certificate 2.2
XG	SS tag plate, AISI 316 SS
XF	SS tag plate, AISI 304 SS

Ordering Example : P705-04-XXX-B0-04N-ER-EA-D2-N1-OA-XX

NOTES

- Other connections are available through adaptors.
- Remote mounting up to 3 meter is possible, contact Factory for further details.
- Available in DIN style case design, up on request, minimum quantity requirement check with Factory.