

FEATURES

- Precision measuring system
- High resolution dial
- Knife Edge pointer
- Anti-parallax mirror band
- Jewel bearing movement
- Easy to read scale

APPLICATION

- Calibration & testing labs
- Calibration & testing of industrial pressure gauges

SS Case



STANDARD PARAMETERS

Accuracy	:	CL 0.25
Ambient temperature	:	20... +65°C
Service temperature	:	65°C max.
Pressure limits	:	Steady pressure up to 75% of FS value
Weld joints	:	Silver alloy brazing

MATERIAL OF CONSTRUCTION

Sensing element	:	Bourdon Tube (<100 bar : C - type , > 100 bar : Helical)
Case & Ring material	:	AISI 304 SS (Bayonet type)
Bourdon tube	:	Beryllium Copper
Shank	:	Copper alloy
Integral dampening screw	:	Copper alloy
Movement mechanism	:	High precision (Jewel bearing type)
Dial	:	Aluminum, green with black marking & anti-parallax mirror band
Pointer	:	Balanced, knife-edge micrometer adjustable
Pointer stopper	:	Spring type
Gaskets & Blow off disc	:	NBR
Window	:	Safety glass

STANDARD SPECIFICATIONS

Dial size	:	DN150 / DN250
Range	:	-1...700 bar
Mounting pattern	:	Direct, Bottom connection
Process connection	:	1/2" NPT (M) / 1/2" BSP (M)
Ingress protection	:	IP 65
Execution	:	Dry
Carrying case	:	Pine wood carrying case
Calibration certificate	:	Calibration certificate traceable up to National & International standards

TEMPERATURE EFFECT

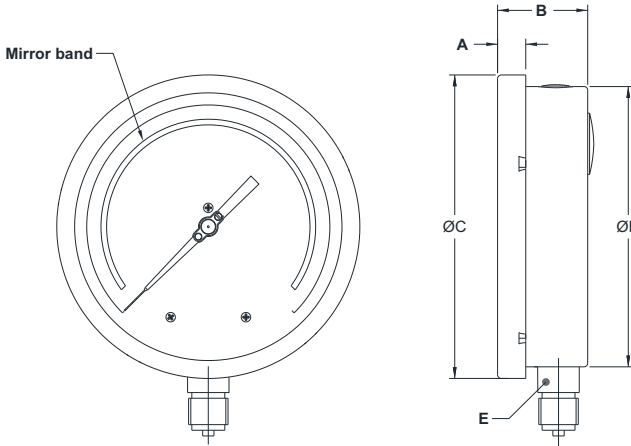
When temperature of the measuring system deviates from reference temperature (+20°C) max error $\pm 0.4\%$ / 10K of true scale value.

REFERENCE

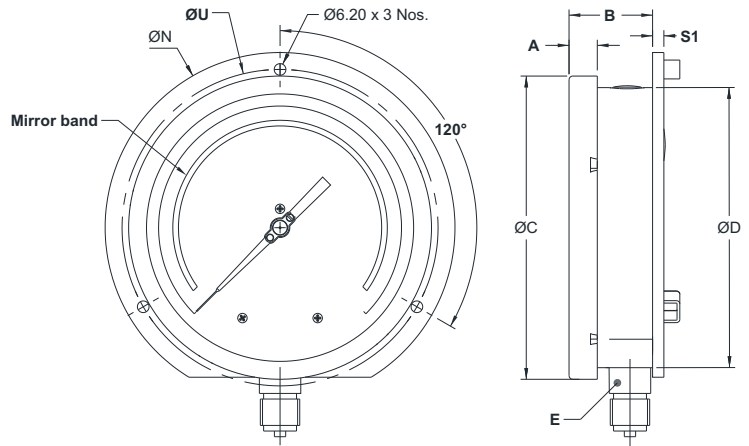
EN 837-1

DIMENSIONAL DRAWING

Type B0



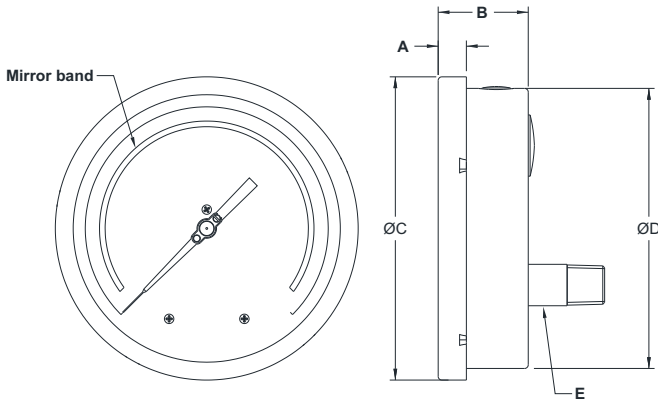
Type B1



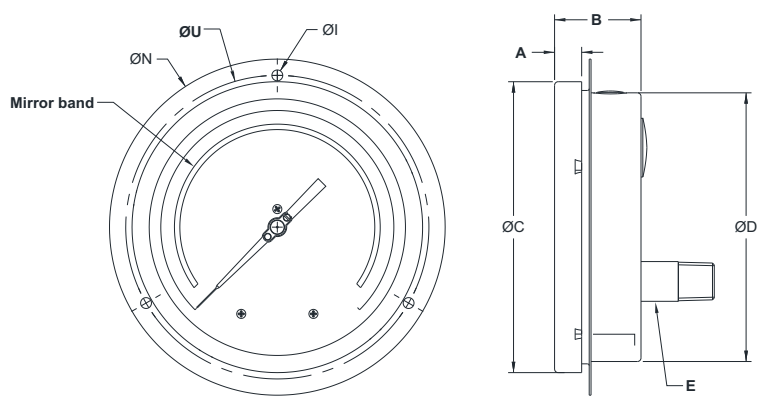
DN	A	B	ØC	ØD	E	Weight (grams)
150	15	48	161	149	SQ.22	950
250	18.5	50	263	250	SQ.22	2150

DN	A	B	ØC	ØD	E	ØI	M	ØN	S1	ØU	Weight (grams)
150	15	46	161	149	SQ.22	6	172.4	186	6	168	1065
250	18.5	48	263	250	SQ.22	7	286.5	290	1.5	276	2375

Type L0



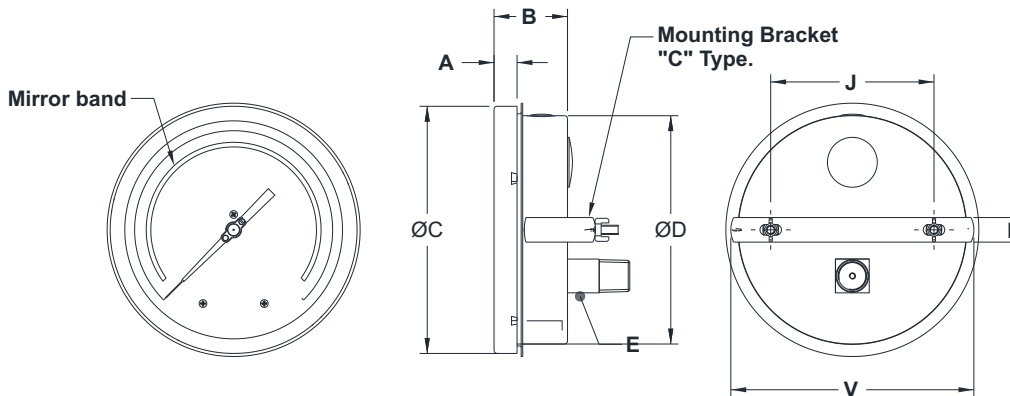
Type L1



DN	A	B	ØC	ØD	E	Weight (grams)
150	15	48	161	149	SQ.22	950
250	18.5	50	263	250	SQ.22	2150

DN	A	B	ØC	ØD	E	ØI	ØN	ØU	Weight (grams)
150	15	48	161	149	SQ.22	6	186	168	1066
250	18.5	50	263	250	SQ.22	7	290	276	2350

Type L2



DN	A	B	ØC	ØD	E	J	K	V	Weight (grams)
150	15	48	161	149	SQ.22	106.5	16	158.5	1150
250	18.5	50	263	250	SQ.22	180	30	270	2450

All dimensions are in mm.

ORDERING CODES

1. DIAL SIZE		06	5. INGRESS PROTECTION		ER
06	150 mm / 6"		ER	IP 65	
10	250 mm / 10"				
2. RANGE		XXX	6. EXECUTION		EA
XXX	Refer "Range Table"		EA	Dry	
3. MOUNTING PATTERN		B0	7. OTHER OPTIONS		XX
B0	Direct, Bottom connection		EN	Dampening screw, AISI 316 SS	
B1	Wall/Surface/Projection mounting, Bottom connection		MA	Cu-Alloy Shank	
L0	Lower, Back connection		MF	AISI 316 SS shank	
L1	Panel/Front flange mounting, Lower Back connection		XF	SS tag plate, AISI 304 SS	
L2	Panel/bracket mounting, Lower Back connection		XR	Custom designed dial	
4. PROCESS CONNECTION		14N	XT	Dial tag marking	
8. ACCESSORIES			A202	Gauge saver	
12N	1/4" NPT (M)		A201	Gauge snubber	
14N	1/2" NPT (M)				
14B	1/2" BSP (M)				
14M	M20 X 1.5 mm (M)				

Ordering Example : P801-06-XXX-B0-14N-ER-EB

NOTES

1. For other connections, please contact factory.