

FEATURES

- Back seating to prevent stem blow-out

APPLICATION

- Isolation & Venting of gauges, switches & other instruments
- Liquid & gas services

Miniature

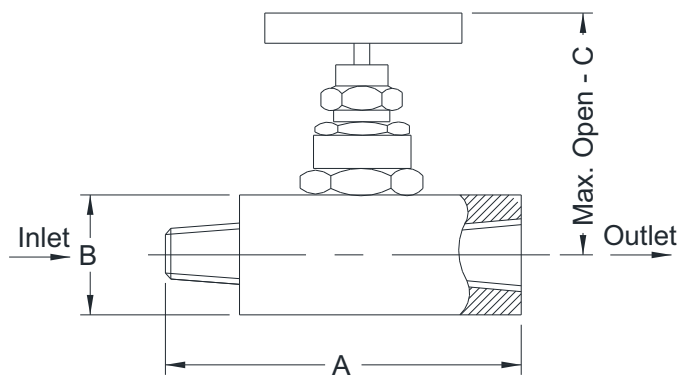


STANDARD SPECIFICATIONS

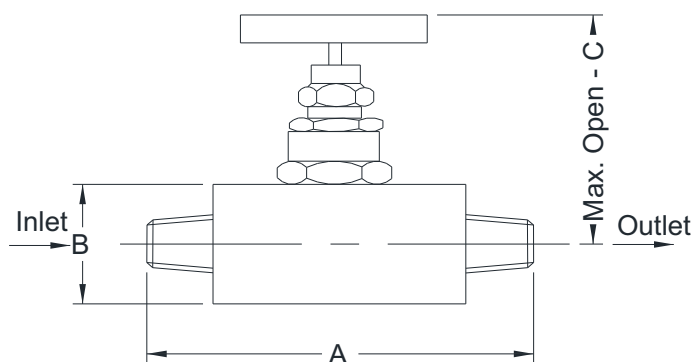
Stem type	: Miniature tip stem
Wetted parts	: AISI 316 SS
Instrument connection	: 1/2" NPT (F) / 1/2" BSP (F)
Stem packing	: PTFE
Process connection	: 1/2" NPT (F) / 1/2" BSP (F)
Stem	: Double bonnet
Max. working pressure	: 206.85 bar (3000 psi)
Max. working temperature	: 240°C
"T" bar handle	: AISI 304 SS

DIMENSIONAL DRAWING

MALE X FEMALE

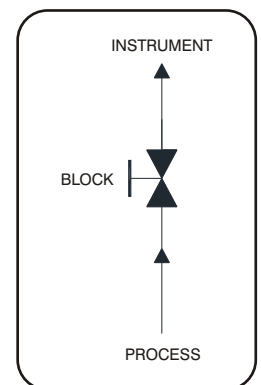


MALE X MALE

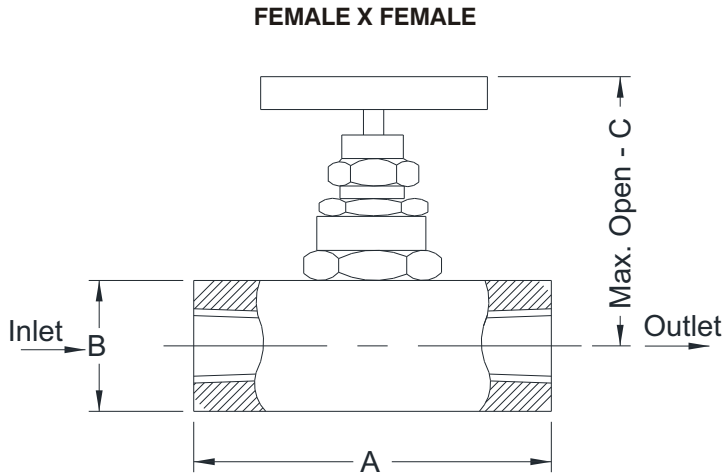


All dimensions are in mm

FLOW DIAGRAM



DIMENSIONAL DRAWING



Size	Type	A	B	Max. open - C
NPT 1/8"	F x F	50	22	56
	M x F	56	22	56
	M x M	60	22	56
NPT 1/4"	F x F	55	22	56
	M x F	50	22	56
	M x M	60	22	56
NPT 3/8"	F x F	55	25	56
	M x F	55	25	56
	M x M	55	25	56
NPT 1/2"	F x F	60	28	50
	M x F	65	28	50
	M x M	50	28	50

All dimensions are in mm

ORDERING CODES

1. STEM TYPE

YS Miniature tip stem

YS

2. WETTED PARTS

MB Carbon Steel / ASTM A105
MC AISI 304 SS
MF AISI 316 SS
MG AISI 316L SS

MF

3. INSTRUMENT CONNECTION

11N 1/8" NPT (M)	12N 1/4" NPT (M)
13N 3/8" NPT (M)	14N 1/2" NPT (M)
11B 1/8" BSP (M)	12B 1/4" BSP (M)
13B 3/8" BSP (M)	14B 1/2" BSP (M)
01N 1/8" NPT (F)	02N 1/4" NPT (F)
03N 3/8" NPT (F)	04N 1/2" NPT (F)
01B 1/8" BSP (F)	02B 1/4" BSP (F)
03B 3/8" BSP (F)	04B 1/2" BSP (F)

04N

4. STEM PACKING

P PTFE **G** Grafoil

P

5. PROCESS CONNECTION

11N 1/8" NPT (M)	12N 1/4" NPT (M)
13N 3/8" NPT (M)	14N 1/2" NPT (M)
11B 1/8" BSP (M)	12B 1/4" BSP (M)
13B 3/8" BSP (M)	14B 1/2" BSP (M)
01N 1/8" NPT (F)	02N 1/4" NPT (F)
03N 3/8" NPT (F)	04N 1/2" NPT (F)
01B 1/8" BSP (F)	02B 1/4" BSP (F)
03B 3/8" BSP (F)	04B 1/2" BSP (F)

04N

6. OTHER OPTIONS

XY Circular Handle
TN Tested to NACE standards
TO Certification for Oxygen service
TM Material test certificate 2.2
TH Hydro test certificate
TC Material test certificate 3.1
XL Marking by laser

XL

Ordering Example : V104-YS-MF-04N-P-04N-XL

NOTES:

- Other connections are available, please contact factory for details.
- Valve stem dust covers shall be identified with color codes according to their function as ; Blue = ISOLATE