

Technical specification

Material: Aluminium
 Colour: outside RAL 7000, grey
 inside RAL 2004, Pure orange, anti-condensate coating

Prot. system: max. IP 66/67
 Type of protection: II 2GD
 Ex d [ia] IIC T4/T5/T6 Gb
 Ex tb IIC T85°C/T100°C/T135°C Db IP66/67

EC-type examination certificate: BVI 14 ATEX 0007
 IECEx certificate: IECEx EPS 14.0017

Max. possible ambiente temperature: -50°C bis +80°C

Description

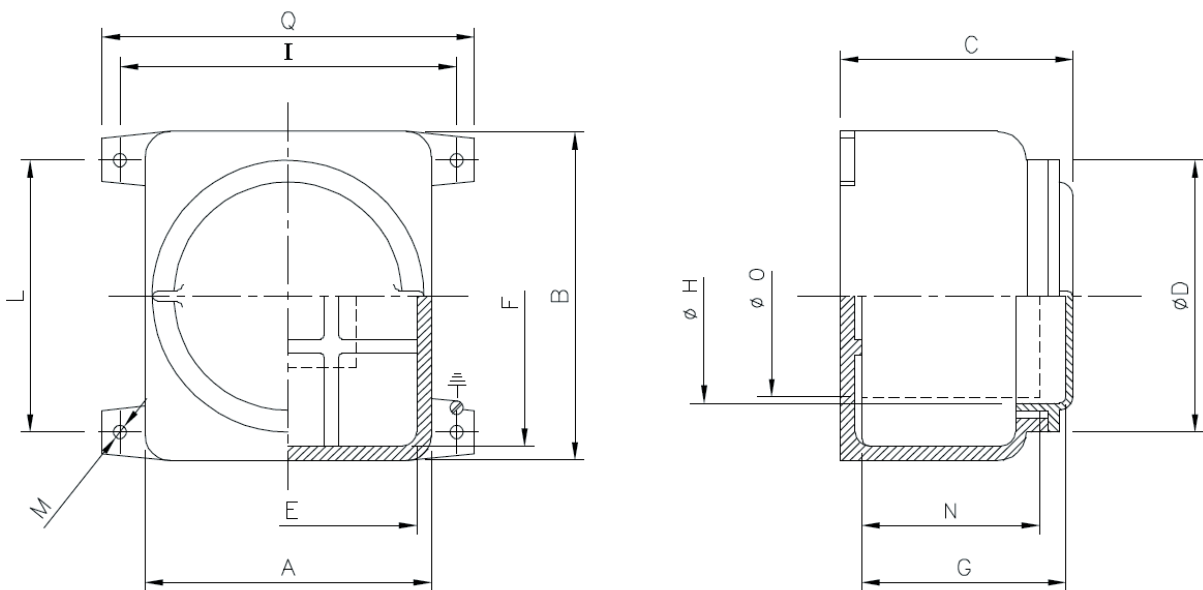
Ex d terminal and control housings are used for the **accommodation of switching, open-loop, and closed-loop control elements** in machines or as peripheral control points in a system.

The terminal and control housings of type CCA are certified according to Directive **94/9/EC for Zone 1 (IIC)** and for **Zone 21**. They are **individually equipped with customized elements, wired** according to a circuit diagram and equipped with the appropriate **cable glands**.

In cooperation with our **partners** we guarantee **short delivery periods and fair pricing for the Ex d control units**.



Versions



Type	A mm	B mm	C mm	ØD mm	Q mm	E mm	F mm	G mm	ØH mm	I mm	L mm	M mm	N mm	ØO mm	Weight kg
CCA 0	150	150	109	130	195	122	122	90	102	175	125	8	80	95	2,85
CCA 1	165	165	123	145	210	137	137	100	117	190	140	8	90	110	3,50
CCA 2	190	190	147	166	235	160	160	122	135	215	165	8	110	125	5,60
CCA 3	225	255	175	200	290	193	223	145	161	260	220	10	130	156	10,35
CCA 4	270	305	205	240	330	238	273	160	198	300	270	10	145	190	14,60
CCA 5	300	340	237	270	360	264	304	190	225	330	300	10	175	217	21,30