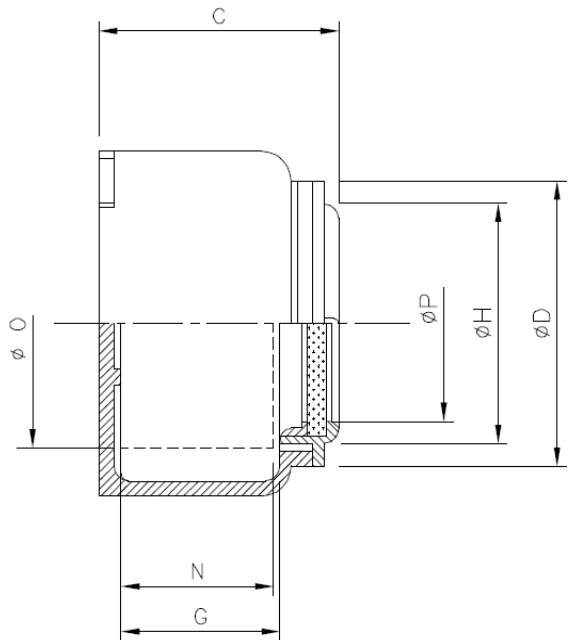
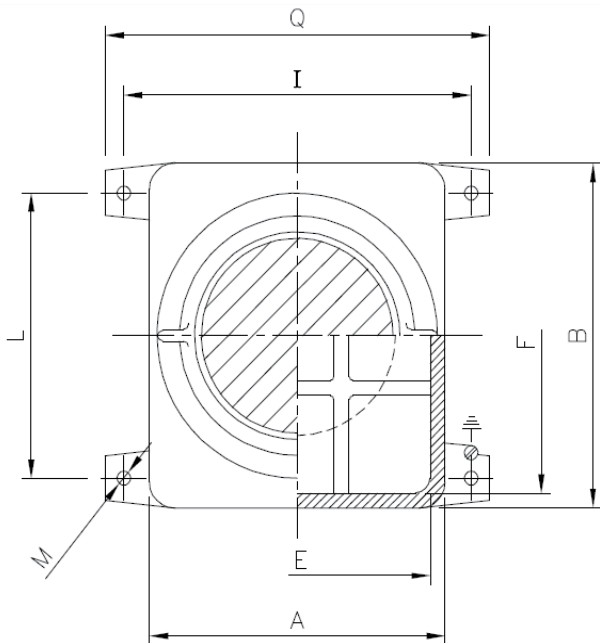


Technical specification

Material: Aluminium
Window: tempered glass
Colour: outside RAL 7000, gray
 inside RAL 2004,
 Pure orange,
 anti-condensate coating
Prot. system: max. IP 66/67
Type of protection: II 2G Ex d IIC T6 - T4 Gb
 II 2(1)G Ex d [ia] IIC T6 - T4 Gb
 II 2D Ex tb IIC T85°C - T135°C Db
EC-type examination certificate: BVI 14 ATEX 0007
IECEX certificate: IECEX EPS 14.0017
Max. possible ambiente temperature: -50°C bis +80°C
Design: with screwed lid and glass window

Description

Flame proof boxes are used for the implementation of nonEx components into hazardous area. Because of the glass window, the control boxes type CPS are mostly used for displays or camera systems. The control boxes of type CPS are certified according to Directive **2014/34/EU** and IECEX standards for zone 1 (IIC) and for zone 21. They are individually equipped with customized elements, wired according to a circuit diagram and equipped with the appropriate cable glands.



Type	Externals dimensions					Internal dimensions				Dimensions assembly			internal space		Win-dow	Weight
	A mm	B mm	C mm	ØD mm	Q mm	E mm	F mm	G mm	ØH mm	I mm	L mm	M mm	N mm	ØO mm	ØP mm	kg
CPS 0	150	150	108	130	195	122	122	59	112	175	125	8	57	105	82	2,990
CPS 1	165	165	120	145	210	137	137	69	127	190	140	8	67	120	96	3,715
CPS 2	190	190	146	166	235	160	160	91	147	215	165	8	89	140	115	5,750
CPS 3	225	225	170	200	290	193	223	108	176	260	220	10	106	170	140	10,655
CPS 4	270	305	202	240	330	238	273	132	216	300	270	10	130	205	165	14,765
CPS 5	300	340	232	270	360	264	304	157	245	330	300	10	155	235	195	20,985