



# Explosionproof luminaire, surface 2x18W / 2x36W

EXP 83



Type	Light source	Light source power / lamp base	Weight
EXP 83 - 218...	fluorescent lamp	2 x 18 W / G 13	6,1 kg
EXP 83 - 236...		2 x 36 W / G 13	8,3 kg

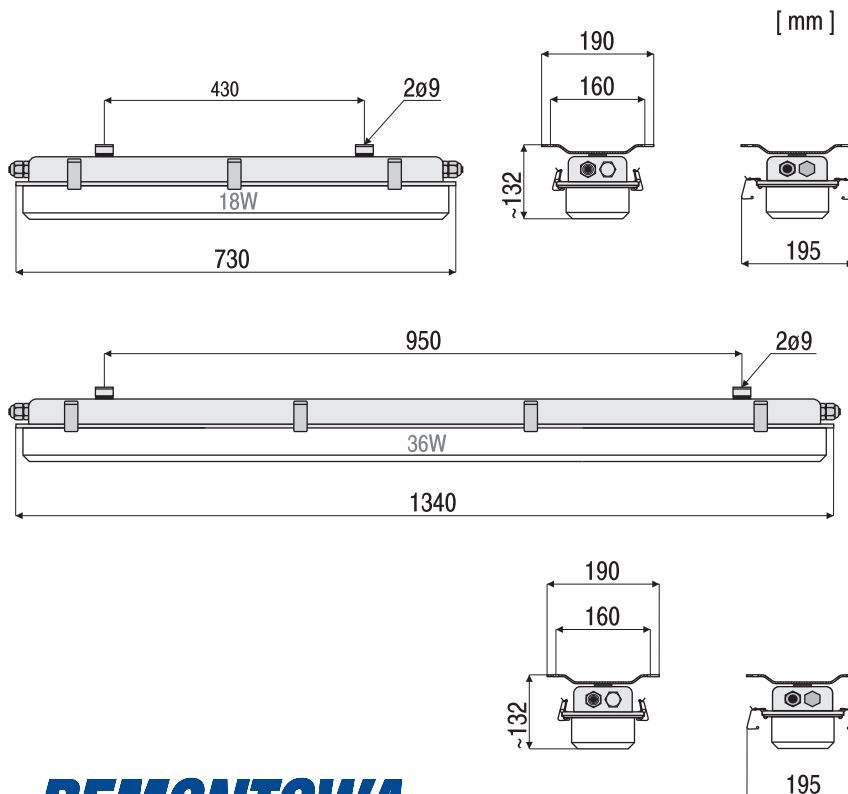
**Application**  
hazardous zone 1,21; 2, 22

**Approvals authority:**  
ATEX

**Ex marking**  
II 2G Ex de mb IIC T5 Gb  
II 2D Ex t IIIC T60°C-T65°C IP 66/67 Db  
**Insulation class**  
1

**Housing**  
zinc coated steel, seamless deep drawn,  
powder coated white  
**Diffuser**  
clear polycarbonate  
**Lamps (not included)**  
fluorescent lamp 18W/36W  
**Electric**  
flexible wiring, heat resistant up to +105°C

**Cable entry**  
max 4 cable glands,  
see diagram A  
**Mounting**  
2 welded brackets with  
2 mounting holes  $\varnothing$  9 mm



IP 66

IP 67

220V-250V  
50Hz-60Hz

G13

Ex  
KDB 04 ATEX 339X



IEC IECEx

3.09

## OPTIONS

Electronic Ballast 110V-127V  
50-60Hz

Battery Backup System 220V-250V  
50-60Hz 3h

Battery Backup System 110V-127V  
50-60Hz 3h

Stainless Steel Housing

SC-Glands for screen cable

**REMONTOWA**  
LIGHTING TECHNOLOGIES

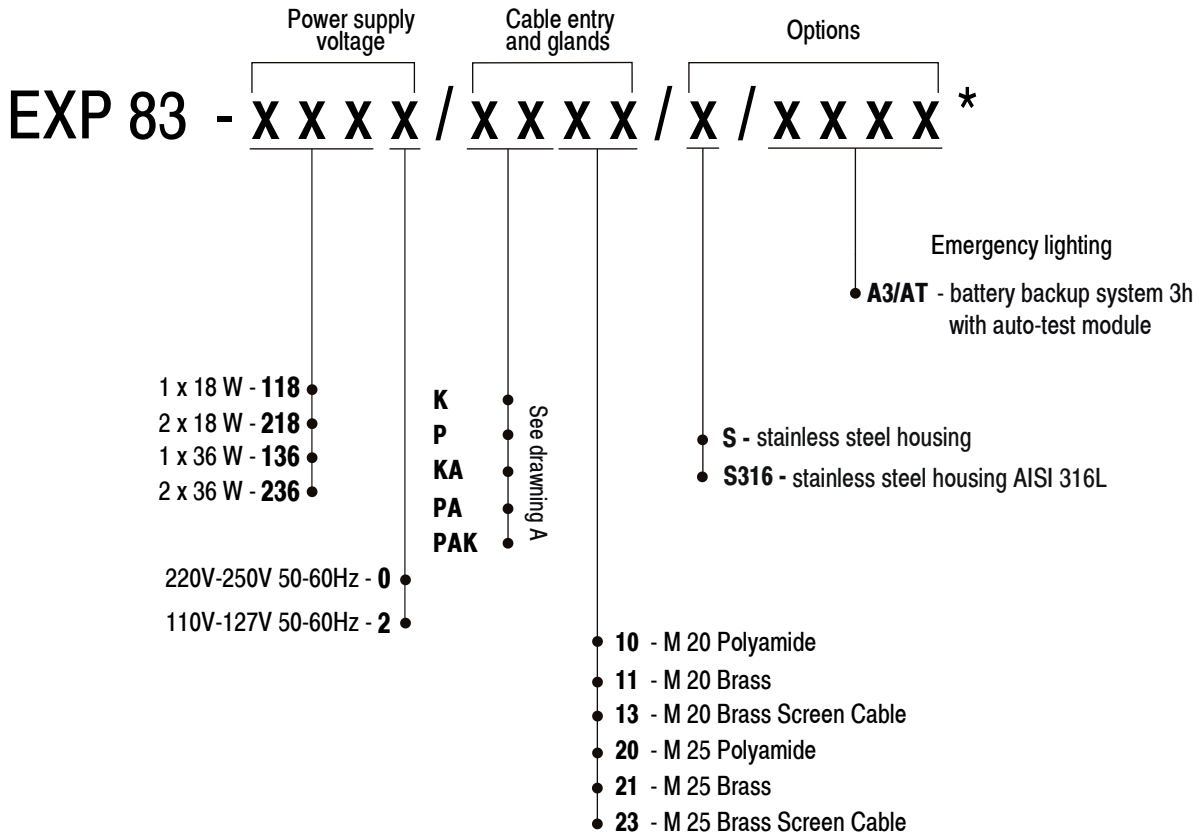
Remontowa Lighting Technologies S.A.  
25 Sucha Street, 80-531 Gdańsk, Poland  
tel.: +48 58 520-74-29; fax.: +48 58 343-26-29  
www.rlt.rh.pl; rlt@rlt.rh.pl; technical modification reserved

PolamRem



# Explosionproof luminaire, surface 2x18W / 2x36W

EXP 83

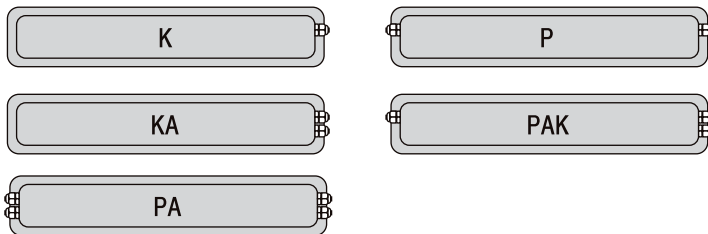


\*marking on the label may differ from the order specification

## Example of type description

EXP 83 - 2180/PA10/S - explosion proof light fitting for two fluorescent lamps 18W with socket G13; supply voltage 220V-250V AC/DC; through wiring with 4 poliamide M20 glands; stainless steel housing.

### A. Cable entry



M 20			M 25		
Polyamide	Brass	Brass SC	Polyamide	Brass	Brass SC
Cable dia. 8-13 /mm/	Cable dia. 8-14,5 /mm/	Cable dia. 7-12,5 /mm/	Cable dia. 11-17 /mm/	Cable dia. 9-17 /mm/	Cable dia. 9-17 /mm/
10	11	13	20	21	23