

FEATURES

- Sanitary design
- Solid bar-stock drilled

APPLICATION

- Biochemical & pharmaceutical
- Food & beverages
- Sterile process industries

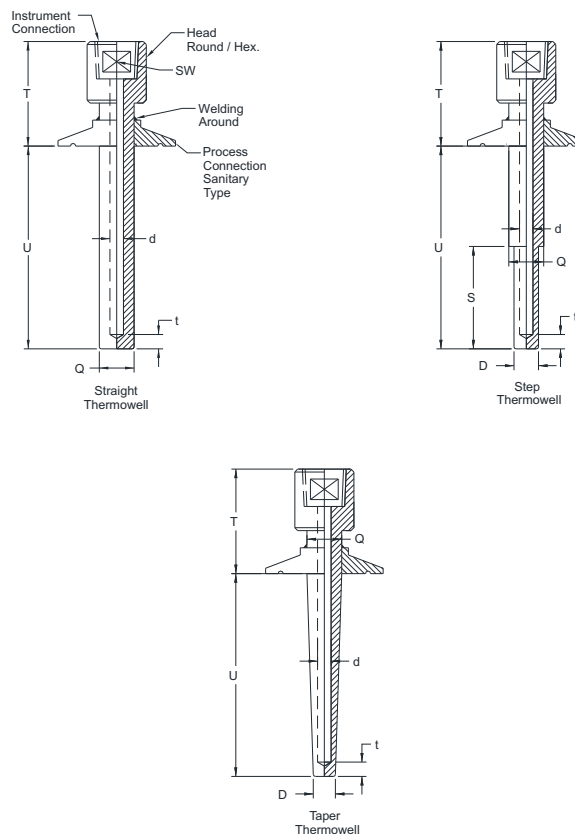
Bar-stock



STANDARD SPECIFICATIONS

Shank form	:	Straight
Material	:	AISI 316 SS
Instrument connection	:	1/2" NPT (F) / 1/2" BSP (F)
Bore diameter	:	6.6 mm
Lag extension	:	50 mm
Root diameter	:	21.0 mm
Tip diameter	:	21.0 mm
Immersion length	:	150 mm
Step / Taper Length	:	150 mm
Tip thickness	:	5 mm
Process connection	:	1 1/2" Tri-clover connection
Head type	:	Round with spanner slot
Head size	:	27 mm

DIMENSIONAL DRAWING



ORDERING CODES

1. SHANK FORM

- S Straight
- E Stepped
- T Tapered

S

2. MATERIAL

- MF AISI 316 SS
- MG AISI 316L SS

MF

3. INSTRUMENT CONNECTION

- 02N 1/4" NPT (F)
- 04N 1/2" NPT (F)
- 05N 3/4" NPT (F)
- 02B 1/4" BSP (F)
- 04B 1/2" BSP (F)
- 05B 3/4" BSP (F)
- 04M M20 x 1.5 mm (F)

02N

4. BORE DIAMETER ("d")

- N 6.35 mm (1/4")
- A 6.6 mm
- C 9.0 mm
- D 9.6 mm
- O 10 mm

A

5. LAG EXTENSION ("T")

- XXX 35 mm up to 250 mm

50

6. ROOT DIAMETER ("Q")

- XX.X Mention in 'mm'

21

7. TIP DIAMETER ("D")

- XX.X Mention in 'mm'

21

8. IMMERSION LENGTH ("U")

- XXXX 50 mm up to 1000 mm

150

13. STEP STYLE

- S Straight
- T Taper

S

9. STEP / TAPER LENGTH ("S")

- XXX Mention in 'mm'

150

10. TIP THICKNESS ("t")

- M 5 mm
- N 6.35 mm (1/4")
- O 10 mm

M

11. PROCESS CONNECTION

- T01 1" Tri-clover connection
- T02 2" Tri-clover connection
- T15 1 1/2" Tri-clover connection
- T25 2 1/2" Tri-clover connection

T15

12. HEAD TYPE

- H Hex
- L Round with spanner slot

L

13. HEAD SIZE

- XX Mention in 'mm'

27

14. OTHER OPTIONS

- XI Plug & chain in SS
- XK Electro polishing
- XL Marking by laser
- XM Marking by engraving
- TC Material test certificate 3.1
- TD Dye penetration test
- TG IGC test
- TH Hydro test certificate
- TM Material test certificate 2.2
- TN Tested to NACE standards
- TW WFC as per PTC 19.3TW:2010

XM

Ordering Example : W202-S-MF-02N-A-50-21-21-150-S-150-M-T15-L-27-XM

NOTES:

1. Other diameters, connections are available, please contact factory for details.
2. Please refer "Technical Guidance Sheet" for the proper selection of connections according to Head size and Outer diameter of the well.