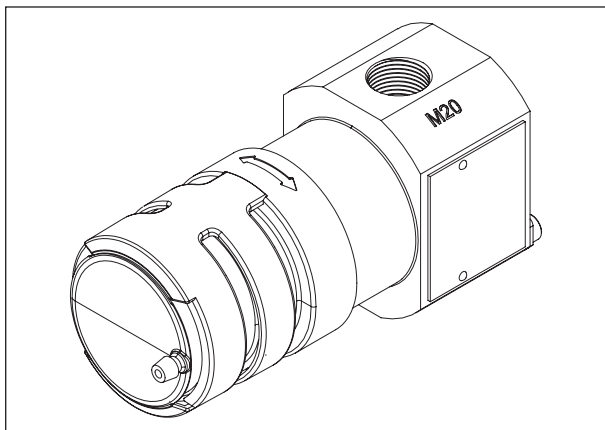


# IRmax

Infrared hydrocarbon gas detector



Installation, operating and maintenance instructions  
Instructions d'installation, d'utilisation et de maintenance  
Installations-, Bedienungs- und Wartungsanleitung  
Instrucciones de instalación, operación y mantenimiento  
Istruzioni d'installazione, uso e manutenzione  
Installatie-, bedienings- en onderhoudsinstructies  
Instrukcje montażu, obsługi i konserwacji  
Instruções de instalação, funcionamento e manutenção

**M07028**

Issue 4 Mar 2013



# Contents

Concept and safety .....	1
<b>IRmax</b> concept .....	1
Safety information.....	2
Product overview.....	3
1. Introduction .....	4
1.1 General.....	4
1.2 Product description .....	4
2. Installation.....	6
WARNING .....	6
2.1 Location.....	6
2.2 Mounting.....	7
2.3 Cabling directly to <b>IRmax</b> .....	7
2.3.1 Terminal designation .....	8
2.3.2 Installing <b>IRmax</b> using a mounting bracket .....	8
2.4 Installing using a spigot gland and auxiliary junction box .....	9
2.4.1 To fit <b>IRmax</b> to an auxiliary junction box:.....	10
2.5 Cabling requirement .....	10
2.6 Connections and settings.....	11
3. Operation.....	12
3.1 Commissioning procedure.....	12
3.2 Routine maintenance .....	13
3.3 Changing gas types .....	13
3.4 Relative responses of gas types .....	14
4. Specification.....	15
5. Accessories and spare parts.....	16
6. Fault finding.....	17
6.1 Errors signalled by LED .....	17
6.2 Analogue Output .....	17
7. RS485 Modbus configuration .....	18
7.1 General.....	18
7.2 Wiring topology.....	19
7.2.1 Star connection .....	19
7.2.2 Linear bus connection .....	19
7.3 Cabling requirements.....	20
7.3.1 Calculating the minimum level of power required .....	20
7.3.2 Sample calculation .....	20

8. Functional Safety Manual .....	21
8.1 Introduction .....	21
8.2 IRmax and IRmax Modbus Safety Function .....	21
8.3 Functional Safety Data .....	21
8.4 Hardware Configuration .....	22
8.5 Software Configuration.....	22
8.6 Systematic Failures .....	22
8.7 Diagnostic Interval.....	22
8.8 Constraints .....	22
8.9 Environmental .....	23
8.10 Hardware fault tolerance.....	23
8.11 Systematic Capability .....	23
8.12 Classification .....	23
Warranty .....	24



## IRmax concept

**IRmax** is an ultra-compact infrared (IR) gas detector, which delivers rapid, fail-safe detection of hydrocarbon gases and vapours.

Featuring dual-wavelength IR sensor technology in a rugged 316 stainless steel package, **IRmax** is designed to operate in the harshest conditions. Unlike conventional IR gas detectors, **IRmax** does not incorporate heaters to prevent condensation on windows and mirrors. The STAY CLR coating on optical components prevents condensation forming while the detector is operating.

**IRmax** is compatible with any 4-20mA control system, and can also be installed in an RS485 Modbus addressable network (see Section 7).

**IRmax** requires only 1 Watt of power, typically 75-90% lower than conventional IR gas detectors.

**IRmax** features a compact diffusion gas chamber, which in combination with an effective weatherproof cap provides excellent speed of response. The weatherproof cap has been designed using flow modelling software to enable remote gassing and calibration of the **IRmax** without requiring a special calibration cap.

The **IR Display** makes it possible to monitor readings from the **IRmax** both locally and remotely. An **IR Display** can be fitted directly to **IRmax**. Alternatively, **IRmax** may be supplied with an Intrinsically Safe (IS) Barrier module attached. An **IR Display** can then be connected to the IS Barrier Module via temporary or permanent cabling. The available options are illustrated on Diagram 3, page 5.

For further information about other accessories for the **IRmax** see Diagram 3 on page 5 and Section 5, page 16.

## Safety information

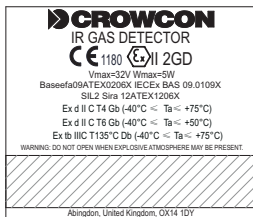
- **IRmax** gas detectors must be installed, operated and maintained in strict accordance with these instructions, warnings, label information, and within the limitations stated.
- The rear nut on **IRmax** must be kept tightly closed during operation. Do not attempt to remove the rear nut until power to the detector is isolated - otherwise ignition of a flammable atmosphere can occur. Before removing the nut for maintenance, calibration or servicing, check that the surrounding atmosphere is free of flammable gases or vapours. Do not open until several minutes after the power has been removed.
- Maintenance and calibration operations must only be performed by qualified service personnel.
- Only genuine **Crowcon** replacement parts must be used; substitute components may invalidate the certification and warranty of the **IRmax**.
- **IRmax** must be protected from extreme vibration, and direct sunlight in hot environments as this may cause the temperature of the **IRmax** to rise above its specified limits and cause premature failure.
- **IRmax** will not detect hydrogen, ammonia or carbon dioxide.
- The equipment must be earthed using the cable gland and steel armoured cable.
- Certification for Zone 21/22 dust environments: **IRmax** basic (without **IR Display** or **IS Barrier** module) may be used in environments that may contain hazardous dusts (Zones 21 or 22).
- **IRmax** with an **IS Barrier** module may be used in Zones 21 or 22 provided the ambient temperature remains below 40°C and a remote **IR Display** or Hand-Held IR Displays are installed/used outside the hazardous area only.
- **IRmax** with a Fixed **IR Display** cannot be installed in a Zone 21 or 22 area.

## Product overview

**IRmax** is an infrared gas detector designed for detecting common hydrocarbon gases in the range 0 to 100%LEL (Lower Explosive Limit: the minimum concentration in air at which ignition can occur).

**IRmax** is a certified Flameproof (Exd) detector suitable for use in ATEX Zone 1 or Zone 2 hazardous areas. Please refer to the certification label on the side of the Detector to identify the type of certification that relates to the product supplied.

**Note: if no certification label is fitted to the IRmax, the detector is not certified for use in hazardous areas.**



IRmax Basic certification label



IRmax with IS Barrier certification label



IRmax with Fixed IR Display certification label



Detectors certified for use in Brazil



Diagram 1: IRmax certification labels

# 1. Introduction

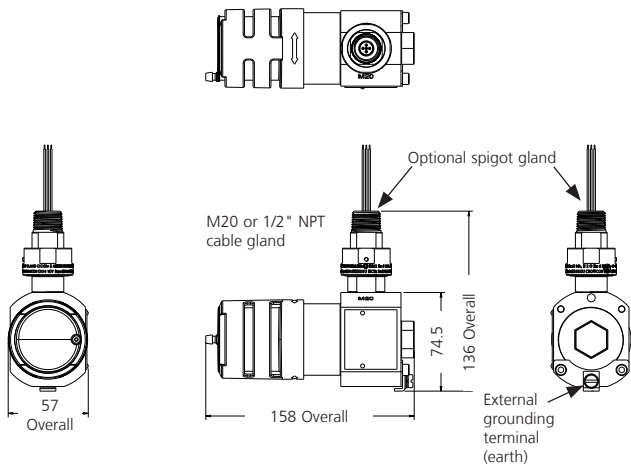
## 1.1 General

The configuration of each **IRmax** is identified by a label fitted on the main body. Please quote the product name, part number and serial number when contacting **Crowcon** for advice or spares.

## 1.2 Product description

**IRmax** consists of a main body of 316 stainless steel, an antistatic weatherproof cover over the optics and gas measurement chamber and an electronics assembly. An **IR Display** Module can also be fitted. Instructions for fitting the **IR Display** appear in the **IR Display** manual (M07061).

An optional connection spigot gland can be supplied to allow **IRmax** to be fitted directly to auxiliary junction boxes with either M20 or 1/2" NPT cable entries.



All dimensions in millimetres

Diagram 2: *IRmax* dimensioned view

**Note:** The **IRmax** body is supplied with two cable entries; one is M20, one is 1/2" NPT. The cable entry not specified when ordering an **IRmax** will be sealed using a certified plug. The **IRmax** must be installed with both cable entries sealed: one with a cable gland, the other with a certified IP66 rated stopping plug.

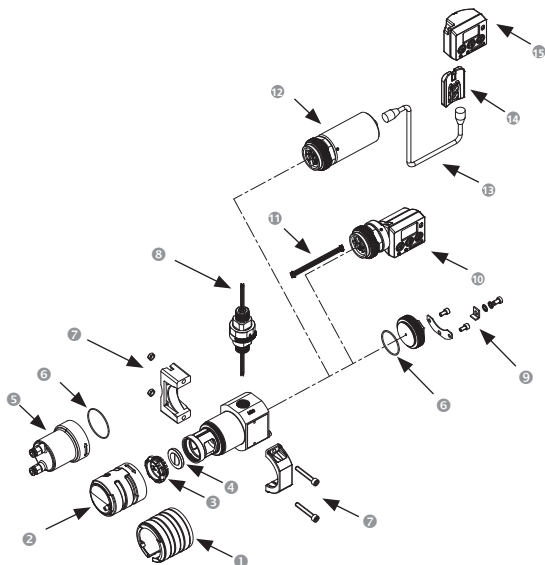


Diagram 3: *IRmax* exploded view (part numbers shown where applicable)

- ① Calibration cap M041007
- ② Weatherproof cap M04995
- ③ Mirror retainer } Supplied together as 'mirror replacement kit'
- ④ Mirror } C011206
- ⑤ Flow adaptor S012996
- ⑥ O-ring for back-nut, **IS Barrier Module** or **Fixed IR Display Module**: M040077
- ⑦ Mounting bracket as complete assembly S012130
- ⑧ Spigot gland M20 or 1/2" NPT versions : M20 ATEX: S012147, 1/2" NPT ATEX: S012190
- ⑨ Retaining plate and bolts for rear plug, **Fixed IR Display** and **IS Barrier** module
- ⑩ **IR Display** fixed version
- ⑪ **IR Display** to **IRmax** connector E07987
- ⑫ **IS Barrier Module**
- ⑬ **IR Display** connecting lead
- ⑭ **Remote IR Display** mounting bracket M03833
- ⑮ **Remote IR Display**

## 2. Installation

---

### WARNING

- This detector is designed for use in Zone 1 and Zone 2 hazardous areas. Certification is dependent upon the accessories fitted and ambient operating temperature. Please refer to the specifications table on page 15 for certification details. Installation must be in accordance with the recognised standards of the appropriate authority in the country concerned.
- For further information please contact Crowcon. Prior to carrying out any installation work ensure local regulations and site procedures are followed.
- The equipment must be earthed using the cable gland and steel armoured cable.
- Do not attempt to fit an IR Display to an IRmax not supplied for the purpose. Detectors supplied for use with a display are certified Exd ia, and must be operated either with a Fixed Display containing an IS barrier, or with a Remote IR Display or IS Hand-Held Calibrator connected via a Crowcon IS Barrier module.
- Detectors supplied without a display are certified Exd IIC and cannot be retro-fitted for use with an IR Display.

### 2.1 Location

The **IRmax** should be mounted where the gas to be detected is most likely to be present. The following points should be noted when locating gas detectors:

- To detect gases which are lighter than air, such as methane, detectors should be mounted at high level. To detect heavier-than-air gases, such as flammable vapours, detectors should be mounted at low level.
- When locating detectors consider the possible damage caused by natural events e.g. rain or flooding. For detectors mounted outdoors in very hot regions **Crowcon** recommend the use of a sunshade (see Section 5, Accessories and spare parts, on page 16).
- Consider ease of access for functional testing and servicing.
- Consider how the escaping gas may behave due to natural or forced air currents. Mount **IRmax** in ventilation ducts if appropriate (see Section 5, Accessories and spare parts, on page 16).
- Consider the process conditions. For example, butane is normally heavier than air, but if released from a process which is at an elevated temperature and/or pressure, the gas may rise rather than fall.

The placement of sensors should be determined following advice of experts having specialist knowledge of gas dispersion and the plant processing equipment as well as safety and engineering issues. The agreement reached on the locations of sensors should be recorded.

## 2.2 Mounting

**IRmax** can be mounted in three ways:

1. Using the **Crowcon** mounting bracket with direct field cable connection (4-20mA operation only).
2. Using a spigot gland to connect to an existing Exe or Exd certified junction box. **Crowcon** supplies a suitable spigot gland as an optional extra (see 3 below).
3. Using the optional **Crowcon** auxiliary junction box and spigot gland.

Optional parts are listed in Section 5 on page 16.

**IRmax** should be installed at the designated location with the sensor barrel horizontal  $\pm 15^\circ$  (orientation shown on Diagram 2 on page 4). This ensures that dust or water will not collect on the optical components.

## 2.3 Cabling directly to IRmax

This option is suitable for 4-20mA operation only. A **Crowcon** mounting bracket is required to retain the detector to a wall or 2" (50 mm) pipe.

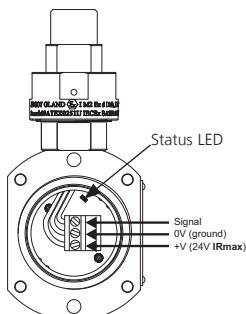
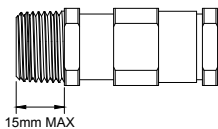


Diagram 4: Field cable connections on the *IRmax*

Connect field cables using a certified gland via the chosen cable entry on the **IRmax** body (M20 or 1/2" NPT), as indicated in Diagram 4. **Crowcon** recommends cable glands are installed pointing downwards.



Ensure that cable glands with the appropriate Exd certification are used, and that the thread length does not exceed the length specified in the diagram (left).

## 2. Installation

### 2.3.1 Terminal designation

With the **IRmax** oriented as shown in Diagram 2 on page 4 (M20 cable entry at the top), the 3-core field cable should be terminated using the removable connector as follows: +24V at the bottom, 0V in the middle, Signal at the top.

The 6-pin connector on the right of the PCB is for servicing and/or connection of an **IR Display** module

+ve terminal:	+ve supply from the control card.
Sig terminal:	Signal/Sense from control card.
0 V terminal:	-ve supply from the control card.

### 2.3.2 Installing IRmax using a mounting bracket

- IRmax** can be supplied with a mounting bracket (S012130) rather than a spigot gland so that it can be directly connected to field cables (see Diagram 5).

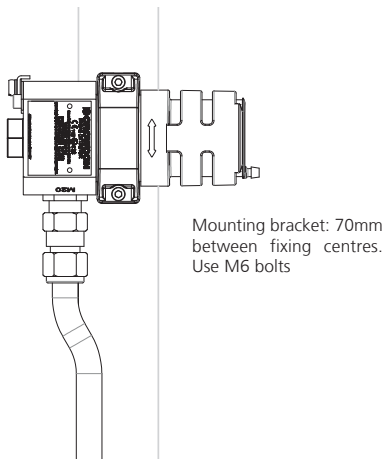


Diagram 5: *IRmax* with a mounting bracket and cable gland

- If the **IRmax** is to be mounted on a flat surface, mark and drill two holes using the mounting bracket as a template. Loosely fix two parts of the bracket using fixings suitable for the wall/surface.
- Remove the weatherproof cap from the **IRmax**, and slide the body of the **IRmax** through the bracket. It is recommended that the **IRmax** body is installed with the cable entry facing downwards.



- d. Secure the two bracket fixings so that the **IRmax** is held firmly in place. Re-fit the weatherproof cap.
- e. Once the **IRmax** is securely fixed in place, remove the **IRmax** rear nut to enable access to the cable terminals.
- f. Prepare the field cable – **Crowcon** recommends 1.5 mm<sup>2</sup> Steel Wire Armoured (SWA) cable. Other cable types may be used provided they are compatible with Exd certified glands. Fit a suitably certified Exd cable gland, pass the cable conductors through the body of the **IRmax** and screw in the cable gland. Secure the gland and ensure the cable armour is grounded to the cable gland and the **IRmax** body. **NB.** Don't forget to re-fit the rear nut after installing the cable.
- g. The retaining plate (item 9 on Diagram 3, page 5) must be securely fitted to prevent any risk of the rear nut (or **Fixed IR Display** or **IS Barrier** module accessory) vibrating loose.

## 2.4 Installing using a spigot gland and auxiliary junction box

This option is required where **IRmax** is to be connected to an existing Exd or Exe certified auxiliary junction box.

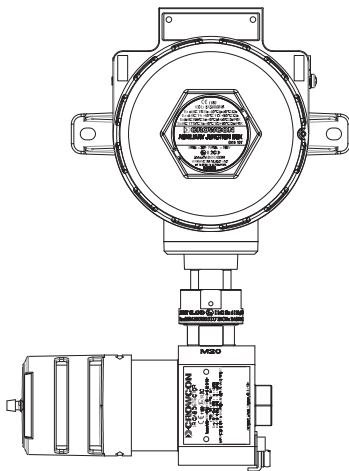


Diagram 6: *IRmax* connected to the auxiliary junction box

## 2. Installation

### 2.4.1 To fit IRmax to an auxiliary junction box:

- Carefully remove the outer section of the spigot gland (item 8 in Diagram 3 on page 5).
- Screw the narrow end of the spigot gland into the auxiliary junction box.
- Raise the **IRmax** to the auxiliary junction box and pass the wires through the assembly and into the auxiliary junction box. Secure the **IRmax** by screwing the collar tightly to the cable gland. Tighten grub screw.
- The main body of the **IRmax** can be swivelled horizontally at any angle, provided it is mechanically secure, does not interfere with other equipment and is accessible for maintenance.
- Refer to Section 2.6 for instructions on wiring. See also Diagram 4 on page 7.

## 2.5 Cabling requirement

Cabling to **IRmax** must be in accordance with the recognised standards of the appropriate authority in the country concerned and meet the electrical requirements of the **IRmax**.

**Crowcon** recommends the use of steel wire armoured (SWA) cable and suitable explosion proof glands must be used. Alternative cabling techniques, such as steel conduit, may be acceptable provided appropriate standards are met.

The maximum recommended cable length is 3.4 km (see Table 1).

**IRmax** requires a dc supply of 12-30Vdc. Ensure there is a minimum of 12V at the **IRmax** from the control panel, taking into account the voltage drop due to cable resistance at a peak current of 0.1A.

A 1.5mm<sup>2</sup> cable will typically allow cable runs up to 3.0km. Table 1 below shows the maximum cable distances for typical cable parameters.

C.S.A.	Resistance	Max. Distance >20 V	Max. Distance 18 to 20 V
mm <sup>2</sup>	(Ohms per km)	(km)	(km)
1.0	18.4	2.2	1.6
1.5	13.0	3.0	2.3
2.5	11.5	3.4	2.6

**Table 1: Maximum cable distances for typical cables**

## 2.6 Connections and settings

All connections described are with reference to the terminal block mounted within **IRmax** connector main body. The terminals on the **IRmax** connector PCB are marked '+', 'sig' and '0 V'. Correct polarity should be observed when connecting the **IRmax** to control equipment.

**IRmax** is factory set as a 'current sink' device unless otherwise specified when ordering. To reset to 'current source', remove the back nut and move the two links on the terminal PCB from the 'sink position to the 'source' position, as shown in Diagram 7.

**Note: The external grounding terminal is only to be used where local authorities permit or require such a connection. Where possible, to limit radio frequency interference, the auxiliary junction box and cable armour should be grounded at the control panel (safe area) only to avoid earth loops.**

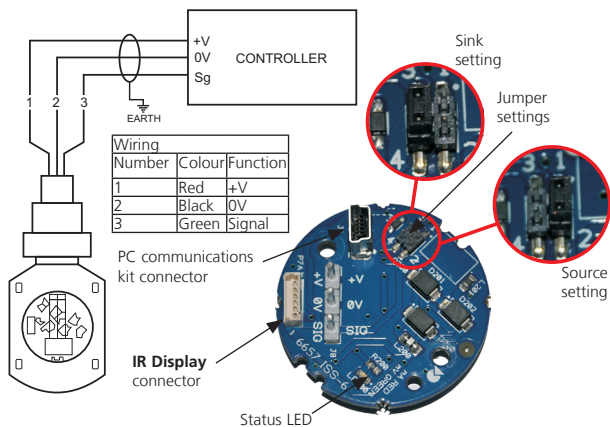


Diagram 7: Sink/source jumper location

The 4-20mA signal can be set to current 'Sink' or 'Source' using the pins and jumper link shown in Diagram 7. Set to current 'Sink' by fitting the jumper link to pins 3 and 4 as shown on the left-hand photograph. Set to current 'Source' by fitting the jumper link to pins 1 and 2 as shown on the right-hand photograph. **IRmax** will be set to current 'Sink' unless specified otherwise when ordering.

**LED indication: an LED is fitted to the terminal PCB to indicate the current operating status. Refer to Section 6 on page 17 for more information.**

## 3. Operation

---

### WARNING

Prior to carrying out any work ensure local regulations and site procedures are followed. Never attempt to open the IRmax or auxiliary junction box when flammable gas is present. Ensure that the associated control panel is inhibited so as to prevent false alarms.

### 3.1 Commissioning procedure

1. Check that:
  - a. The cable connections are correct
  - b. The supply voltage is set at the control card as 18 to 30 V. The voltage measured at the **IRmax** terminals (within the Exe auxiliary junction box if used, or at the **IRmax** terminal PCB) and must be set between 12 and 30 V.
  - c. The links are set for 4-20 mA sink or source as appropriate to control card.
2. Once powered up leave **IRmax** for 30 minutes before attempting zero/cal. This delay is to ensure thermal stability. (**Note: IRmax will be fully operational from 30 seconds after power is applied.**)
3. Ensure clean air (i.e. no hydrocarbon gas) before zeroing. Zero reading at control card (refer to control card instructions).
4. Fit a calibration cap over weatherproof cover to isolate measurement chamber from ambient air. Such a cap is available from **Crowcon** (M041007). Connect calibration gas (50% LEL nom) and apply at 1 litre-per-minute flow.
5. After 30 seconds adjust cal/span on control card so that display reads 50% LEL, or matches concentration of calibration gas applied. The **IRmax** itself should not require calibration.
6. Remove gas and calibration cap. Re-check zero.
7. At installation, or after the mirror has been changed, the **IRmax** can be zeroed and calibrated either using an **IR Display** accessory (see page 1) or via a PC communications kit (see the **IRmax Accessories manual**).

**Note: ATEX Certified IRmax will be supplied calibrated for compliance with EN61779 (where, for example 100% LEL Methane = 4.4% volume).**

**Note: It is recommended that the calibration cap is used for initial commissioning. Subsequent calibrations may be conducted by applying gas to the weatherproof cap remotely via the pipe spigot (thus avoiding the need to directly access the IRmax). Calibration without the calibration cap (i.e. directly via the weatherproof cap) can be performed provided local windspeed is below 2 metres/second. The flow rate of the gas must be greater than 2.0 litre/minute.**

## 3.2 Routine maintenance

Site practices will dictate the frequency with which detectors are tested. **Crowcon** recommends that **IRmax** is gas tested at least every 6 months and re-calibrated as necessary. To re-calibrate an **IRmax** follow the steps given in Section 3.1.

In the event of an electronic failure please consult your local **Crowcon** representative.

Calibration interval: **Crowcon** recommend calibration every 12 months.

Remote calibration via pipe: Wind speed should be less than 2.0 metres per second. If greater, use the calibration cap to prevent gas dilution.

Cleaning of optics: Is **not** recommended unless the **IRmax** is in obscuration fault. If the window or mirror become contaminated, clean carefully with the IPA impregnated wipes and/or the soft cloth supplied in the mirror cleaning kit (see Section 5, **Accessories and spare parts** on page 16).

Mirrors: If the mirror is damaged, obtain a mirror replacement kit (see Section 5, **Accessories and spare parts** on page 16). The **IRmax** must always be re-zeroed and re-calibrated after mirror replacement.

If condensation starts to cause faults replace mirror (optical coating may be damaged). **Crowcon** recommends replacing mirror every 5 years.

## 3.3 Changing gas types

Each **IRmax** is supplied pre-calibrated for a particular type of gas (for example methane or propane). If re-calibration for a different gas type is required, the **IRmax** can be re-configured using the PC communications kit (see Section 5, **Accessories and spare parts** on page 16), and then calibrated.

## 3. Operation

### 3.4 Relative responses of gas types

The graph below shows the relative responses to other gas types for an **IRmax** calibrated on methane.

**Note:** many hydrocarbon gases and vapours are more easily detected by IR detectors than methane. The response of IRmax (and other IR gas detectors) will be linear across the 0-100%LEL range for the target gas (ie methane in this example), but non-linear for other hydrocarbons that may also be present.

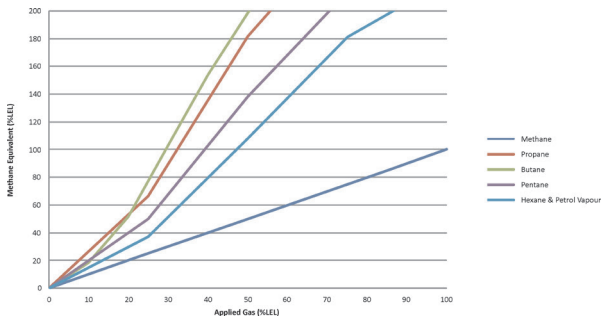



Diagram 8

The diagram shows the approximate response of the gases mentioned above: from left to right, butane, propane, pentane, hexane & petrol vapour and methane.

Other gas types and ranges are available. Please contact **Crowcon** for further details.

## 4. Specification

Enclosure material	316 Stainless Steel
Dimensions (Detector only)	158mm x 75mm x 57mm (6.2 x 2.9 x 2.3 ins) (without spigot)
Weight	<b>IRmax</b> 1.58kg (3.5lbs) <b>IRmax with Fixed IR Display</b> 2kg (4.4lbs) <b>IRmax with IS Barrier Module</b> 2.4kg (5.3lbs) Remote <b>IR Display</b> 0.2kg (0.4lbs)
Operating voltage	12Vdc to 30V dc
Power	< 1 W
Output	3-wire 4-20 mA (Sink or Source)
Fault signal	<1 mA
Maximum cable loop resistance	80 Ohms (relative to -ve terminal)
Operating temperature	-40°C to +75°C (-40°F to +167°F)
Humidity	0-100% Relative Humidity
Degree of protection	IP66
Explosion protection	Flameproof
Approval code ATEX 	<b>IRmax (without IR Display)</b> II 2 GD Exd IIC T6 Gb Tamb = -40°C to +50°C II 2 GD Exd IIC T4 Gb Tamb = -40°C to +75°C II 2 GD Ex tb IIIC T135°C Db (-40°C ≤ Ta ≤ +75°C) <b>IRmax with IS Barrier module (remote display)</b> II 2 GD Exd ia IIC T4 Gb Tamb = -40°C to +75°C Ex tb ia IIIC T135°C Db Tamb = -40°C to +40°C <b>IRmax (with Fixed IR Display)</b> II 2 G Exd ia IIC T4 Gb (Tamb = -40°C to +75°C)
Safety certificate no. ATEX and IECEx	<b>IRmax (without IR Display):</b> Baseefa 09ATEX0206X and IECEx BAS.09.0109X <b>IRmax (with IR Display):</b> Baseefa 09ATEX0220X and IECEx BAS.09.0104X
Functional Safety	Certified for use in a SIL 2 system. Certificate number: Sira 12ATEX1206X
Standards	EN60079-0:2006, EN60079-1:2004, EN60079-29-1: 2007, EN61779, IEC61508: 2010, EN50402: 2005
Zones	Certified for use in Zone 1 or Zone 2
EMC	EN50270

## 5. Accessories and spare parts

Part Numbers	Name	Description
M041007	Calibration cap	Fits over the standard weathercap to enable calibration where local air speed exceeds 2 metres per second.
S012130	Mounting bracket kit	Enables mounting to a wall or 2" (50 mm) pipe. Not required if <b>IRmax</b> is being fitted to an existing auxiliary junction box.
S012152	Sun shade/Collector cone	Can be fitted to <b>IRmax</b> to protect against elevated temperatures due to direct sunlight and/or to extend the detectors footprint for detecting lighter than air gases (e.g. methane).
S012169	Duct mounting kit	Enables monitoring of ducts from 300 mm to 3000 mm, and air-flow between 2 m/s and 20 m/s.
S012996	Flow adaptor	For gas sampling applications.
S012827	PC communications kit	Communications module, software and lead to enable configuration of the detector.
M20: S012295 ½" NPT: S012296	Auxiliary junction box	Mounting option for <b>IRmax</b> for use in hazardous environments.
C011210	Mirror cleaning kit	Contains IPA impregnated wipes and microfibre cloth

### IRmax Spares

Refer to Diagram 3 on page 5 for details of spare parts.



## 6. Fault finding

### 6.1 Errors signalled by LED

The LED fitted to the terminal PCB can help identify faults. Its position is shown on Diagram 7 on page 11. The table below shows how to interpret what is wrong for each pattern of flashes.

LED Pattern	Detector Status	Action
Regular flash each second.	Healthy.	
On with short blips off.	Detector in start-up mode.	Wait 10 seconds.
Fast flash on and off or irregular flash pattern.	Supply voltage too low or too high.	Ensure the <b>IRmax</b> supply voltage is correctly set. Ensure measurement is made directly at the detector terminals.
Permanently on.	Fault, host or i-module error.	Power-cycle the <b>IRmax</b> , if fault persists, return to <b>Crowcon</b> .
Two long flashes followed by a short flash.	Fatal error; lamp or detector fault.	Return to <b>Crowcon</b> .
Fast double flash each second.	Fatal error, module or configuration fault.	Check the detector configuration using PC communications kit software. Check power supply. If fault persists, return to <b>Crowcon</b> .
Short blip each second.	Optics obscured.	Check window and mirror, clean if necessary. Re-zero <b>IRmax</b> and check calibration.

Any other faults can only be rectified by returning the **IRmax** to **Crowcon** or authorised service agent.

### 6.2 Analogue Output

**IRmax** will remain in Fault state and "Service required" will also be shown on the **IR Display** (if fitted) if the analogue output signal has failed or is not connected to a control system or load resistor. **IRmax** actively monitors the 4-20mA analogue output signal to verify it is in range. If the signal is out of range the detector will go into fault and the output will be set to 1mA. Thus, when testing a detector it is essential that it is either connected to a control panel or a 100Ω load resistor is connected between the '0V' and 'Sig' terminals (detector set to 'Source' mode) or between the '0V' and '+V' terminals (detector set to 'Sink' mode).

## 7. RS485 Modbus configuration

### 7.1 General

This section explains how to use **IRmax** detectors in a Modbus configuration. An RS485 enabled version is available for such applications. Up to 32 **IRmax** detectors can be linked in star or bus configurations as described below.

Connections to the RS485 version of the **IRmax** must be made via a spigot gland to an auxiliary junction box (see Section 5 on page 16), rather than by cabling directly into the detector.

Please note that the **IR Display** cannot be used with RS485 enabled **IRmax**.

The RS485 enabled version of the **IRmax** has five field terminals . The terminals are:

1	Positive supply	12 V to 30 V above 0 V
2	0 V	Return and RS485 reference
3	4-20 mA signal	Source or Sink signal (optional)
4	RS485 B	RS485 differential signal
5	RS485 A	RS485 differential signal

The signals on the RS485 terminals conform to the EIA/TIA-485 standard, which means that the common mode range is -7V to +12V with respect to the 0V terminal.

Note that not all RS485 manufacturers agree on the polarity of the A and B signals. If the wiring does not work one way, users should switch the RS485 A&B wires. There is no risk in making the wrong connection.

The communication settings are 9600 bps, two stop bits and no parity.

When compiling an interface for a control system, it is important to consider the amount of time it takes for the system to collect information from each detector in turn. The fastest speed at which multiple detectors can be polled is 14 detectors per second; practical conditions may reduce this to 7 per second. Users must ensure that the arrangement allows alarm signals to be registered within acceptable time limits.

It is also important to ensure that the system can supply enough power to keep all the detectors working. To calculate the amount of power required in a linear bus connection, see Section 7.3, Cabling requirements, on page 20.

For full Modbus instructions, contact **Crowcon** (see addresses on back cover).

## 7.2 Wiring topology

The two common wiring topologies in use are the star connection and the linear bus.

### 7.2.1 Star connection

In a star-connected topology all detectors are wired to a central point, which is usually the control panel. No cables are required to have more than 5 cores as all the 4-20mA signal connections are taken directly to the control panel.

The RS485 A and B signals can then all be connected together at the star point. The bus should then be terminated at the star point with a single 110 ohm termination resistor.

The length of each arm of the star may not exceed 750 metres.

### 7.2.2 Linear bus connection

In a bus-connected topology all **IRmax** are wired to a linear arrangement, usually with the control panel at one end. A classic situation is a tunnel installation, with **IRmax** installed at regular intervals (see Diagram 9 below).

To wire the installation, two 110 ohm-terminating resistors should be fitted: one at each physical end of the bus.

As the 4-20mA signals cannot be shared, an additional conductor is required on each wiring hop. If none of the 4-20mA signals are being used, then only four conductors are required.

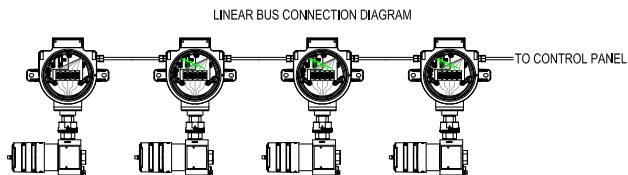


Diagram 9

## 7. RS485 Modbus configuration

### 7.3 Cabling requirements

#### 7.3.1 Calculating the minimum level of power required

The more **IRmax** detectors connected to the linear bus, the greater the power required to run the system. To calculate the power required for a particular setup, it is necessary to know the cable resistance between each pair of **IRmax** detectors. A current of at least 0.1mA must be allowed for each 'hop' between **IRmax**. The voltage to be applied can be calculated by estimating the voltage drop across each 'hop' – at the end at least 12V must remain to ensure that the last **IRmax** functions correctly.

Contact **Crowcon** for advice in specific cases. Alternatively, follow the steps outlined below and the sample calculation shown in the next section.

1. The voltage must not fall below 12V, so start the calculation by setting the voltage at the last **IRmax** in the line at that value.
2. Each **IRmax** may draw up to 0.1 A. Calculate the cable voltage loss of the first 'hop' between detectors by taking the 'aggregate current' to be 0.1A, and multiply this by the cable resistance of the 'hop' between the last and the last but one **IRmax**.
3. Add this voltage drop to the initial 12V to get the lowest acceptable voltage at the last but one **IRmax**. Add 0.1A to the value for the 'aggregate current' to get to 0.2mA, the minimum current running through the last but one 'hop' of the bus. Multiply this by the cable resistance for the last but one 'hop' to get the next voltage drop.
4. Repeat this process for each **IRmax**, accumulating the voltage losses that will occur between each **IRmax**.
5. The maximum detector voltage of 30V must not be exceeded.

#### 7.3.2 Sample calculation

As an example, here are the results of the calculation for six **IRmax** detectors spaced equally 250 m apart on cable with cross-sectional area of 1mm<sup>2</sup>. Each hop has a resistance of 4.6 ohms.

Station	Supply voltage	Supply current
1	12	0.1 A
2	12.46	0.2 A
3	13.38	0.3 A
4	14.76	0.4 A
5	16.6	0.5 A
6	18.9	0.6 A
Panel supply	21.66	0.6 A

# 8. Functional Safety Manual

## 8.1 Introduction

The following sections provide detail on the certification of **IRmax** in accordance with the IEC 61508 and EN 50402 Functional Safety standards. Information is given on the features considered in the safety case, maintenance requirements and data to enable **IRmax** to be integrated into Safety Instrumented System (SIS).

## 8.2 IRmax and IRmax Modbus Safety Function

To measure the concentration of flammable gas and indicate the measurement by means of a 4-20mA output.

Failures in respect of the safety function will be detected by the hardware and associated firmware. They will be revealed as an output signal of less than 3.6mA or more than 21mA.

## 8.3 Functional Safety Data

Parameter name	Symbol	Equation / source	IRmax
Proof Test Interval	T1	As defined by Crowcon.	8,760 hours (annual)
Mean Time To Repair	MTTR	As defined by Crowcon.	8 hours
Type A/B	Type A	As defined by Crowcon.	Type B
Total failures:	$\lambda$	From FMEDA	1.04E-05
Safe diagnosed failures:	$\lambda_{SD}$	From FMEDA	1.95E-08
Safe undiagnosed failures:	$\lambda_{SU}$	From FMEDA	8.59E-08
Dangerous diagnosed failures:	$\lambda_{DD}$	From FMEDA	9.74E-06
Dangerous undiagnosed failures:	$\lambda_{DU}$	From FMEDA	5.06E-07
Safe no-effect failures:	$\lambda_{NE}$	From FMEDA	3.21E-09
Diagnostic coverage:	DC	$\lambda_{DD} / (\lambda_{DU} + \lambda_{DD})$	95.06%
Safe Failure Fraction:	SFF	$(\lambda_{SD} + \lambda_{SU} + \lambda_{DD}) / \lambda$	95.11%
Channel equivalent down time	$t_{CE}$	$(\lambda_{DU} / \lambda_D)(T/2 + MTTR) + (\lambda_{DD} / \lambda_D) MTTR$	2.24E+02
PFDAVG (using 61508-6 equation)	$PFD_{AVG}$	$(\lambda_{DU} + \lambda_{DD}) t_{CE}$	2.30E-03
PFDAVG (using simplified equation)	$PFD_{AVG}$	$\lambda_{DU} (T / 2 + MTTR) + (\lambda_{DD} MTTR)$	2.30E-03
PFDAVG (using IEC 61508-6 equation)	$PFD_{AVG}$	$1 - e^{-(\lambda_{DD} + \lambda_{DU}) t_{CE}}$	2.30E-03
SIL capability (Low demand mode)			<b>SIL2</b>
SIL capability (High demand mode)			<b>SIL2</b>

**For low demand applications**, in respect of random hardware failures and safe failure fraction, all variants of the system are suitable for use in **SIL 2** applications.

## 8.4 Hardware Configuration

Route 1H (Hardware fault tolerance and Safe Failure Fraction) has been used to assess hardware safety integrity level.

## 8.5 Software Configuration

Assessment of the Product firmware has been made to the requirements given in IEC 61508:3 2010.

## 8.6 Systematic Failures

Route 1S (as specified in IEC 61508:2 2010 paragraph 7.4.2.2c) is used for compliance with the requirements of avoidance of systematic failures.

## 8.7 Diagnostic Interval

Most diagnostic functions are continuously monitored.

Tests of the system watchdog are to be accomplished during the annual proof test by power cycling the instrument: **IRmax** must be power-cycled annually (ie have the 24Vdc supply removed and re-applied) as part of the maintenance programme for the product (refer also to section 3.2).

## 8.8 Constraints

Failure rates are constant.

A proof test conducted at least once a year will identify all un-revealed failures.

Repairs have a mean time to repair of 8 hours.

It is assumed that the user makes use of that diagnostic facility provided via the IR Display accessory and/or PC interface in order to minimise potential product down time.

Reliability assessment is a statistical process for applying historical failure data to proposed designs and configurations. It therefore provides a credible target/estimate of the likely reliability of equipment assuming manufacturing, design and operating conditions identical to those under which the data was collected. It is a valuable design review technique for comparing alternative designs, establishing order of magnitude performance targets and evaluating the potential effects of design changes. The actual predicted values cannot, however, be guaranteed as forecasting the precise number of field failures which will actually occur, since this depends on many factors outside the control of a predictive exercise.

Failure rates (symbol  $\lambda$ ), for the purpose of this prediction, are assumed to be constant with time. Both early and wear-out related failures would decrease the reliability but are assumed to be removed by burn in and preventive replacement respectively.

The Probability of failure on demand is the likelihood that the system will be in a failed state at a random moment. This is synonymous with the steady state unavailability which is given by:

$$\text{Unavailability} = (\lambda \times \text{MDT}) / (1 + (\lambda \times \text{MDT}))$$

which approximates to,  $\lambda \times \text{MDT}$  for small values of  $\lambda \times \text{MDT}$

where  $\lambda$  is the failure rate and MDT is the Mean Down Time.

This is consistent with the expression for Availability given as:  $\text{MTBF} / (\text{MTBF} + \text{MDT})$

The failure rates used, and thus the derived availabilities are those credibly associated with a well proven design after a suitable period of reliability growth.

## 8.9 Environmental

Environmental constraints:

The product shall be operated over a maximum ambient temperature range of -40°C to +75 °C.

The product shall be stored over a maximum ambient temperature range of -40°C to +80 °C.

The product shall be operated over a maximum ambient Relative Humidity range of 0% to +100 % Condensing.

The product has an Ingress Protection rating of IP66 according to the definitions within standard EN60529.

The product is designed for continuous operation.

## 8.10 Hardware fault tolerance

The HFT is 0.

## 8.11 Systematic Capability

The IREX/IRmax is of Class SC2.

## 8.12 Classification

The IREX/IRmax is a type B component.

# Warranty

---

This equipment leaves our factory fully tested and calibrated. If within the warranty period of three years from despatch, the equipment is proved to be defective by reason of faulty workmanship or material, we undertake at our option either to repair or replace it free of charge, subject to the conditions below.

## Warranty Procedure

To facilitate efficient processing of any claim, contact our customer support team on +44 (0)1235 557711 with the following information:

Your contact name, phone number, fax number and email address.

Description and quantity of goods being returned, including any accessories.

Instrument serial number(s).

Reason for return.

Obtain a Returns form for identification and traceability purposes. This form may be downloaded from our website 'crowconsupport.com', along with a returns label. Alternatively we can 'email' you a copy.

**IRmax will not be accepted for warranty without a Crowcon Returns Number (CRN). It is essential that the address label is securely attached to the outer packaging of the returned goods.**

The guarantee will be rendered invalid if the instrument is found to have been altered, modified, dismantled, or tampered with. The warranty does not cover misuse or abuse of the unit.

## Warranty Disclaimer

**Crowcon** accept no liability for consequential or indirect loss or damage howsoever arising (including any loss or damage arising out of the use of the instrument) and all liability in respect of any third party is expressly excluded.

This warranty does not cover the accuracy of the calibration of the unit or the cosmetic finish of the product. The unit must be maintained in accordance with the instructions in this manual.

The warranty on replacement consumable items (such as the mirror) supplied under warranty to replace faulty items, will be limited to the unexpired warranty of the original supplied item.

**Crowcon** reserves the right to determine a reduced warranty period, or decline a warranty period for any sensor supplied for use in an environment or for an application known to carry risk of degradation or damage to the sensor.

Our liability in respect of defective equipment shall be limited to the obligations set out in the guarantee and any extended warranty, condition or statement, express or implied statutory or otherwise as to the merchantable quality of our equipment or its fitness for any particular purpose is excluded except as prohibited by statute. This guarantee shall not affect a customer's statutory rights.



**Crowcon** reserves the right to apply a handling and carriage charge whereby units returned as faulty, are found to require only normal calibration or servicing, which the customer then declines to proceed with.

For warranty and technical support enquiries please contact:

## **Customer Support**

**Tel: +44 (0) 1235 557711**

**Fax: +44 (0) 1235 557722**

**Email: [customersupport@crowcon.com](mailto:customersupport@crowcon.com)**



# TABLE DES MATIÈRES

Concept et sécurité .....	29
Concept détecteur <b>IRmax</b> .....	29
Informations de sécurité.....	30
Présentation du produit .....	31
1. Introduction .....	32
1.1 Générales.....	32
2. Installation.....	34
2.1 Implantation .....	34
2.2 Montage.....	35
2.3 Câblage direct vers le détecteur <b>IRmax</b> .....	35
2.3.1 Désignation de bornes.....	36
2.3.2 Installation du détecteur <b>IRmax</b> à l'aide d'un support de fixation.....	36
2.4 Installation au moyen d'un presse-étoupes à ergot et d'un boîtier de jonction auxiliaire .....	37
2.4.1 Pour poser le détecteur <b>IRmax</b> sur un boîtier de jonction auxiliaire : .....	38
2.5 Exigences de câblage .....	38
2.6 Raccordements et paramètres .....	39
3. Fonctionnement .....	40
3.1 Procédure de mise en service .....	40
3.2 Maintenance programmée.....	41
3.3 Changement de types de gaz .....	41
3.4 Réponses relatives des types de gaz .....	42
4. Spécifications .....	43
5. Accessoires et pièces de rechange .....	44
6. Dépannage du détecteur.....	45
6.1 Erreurs signalées par DEL .....	45
6.2 Sortie analogique.....	45
7. Configuration du Modbus RS485 .....	46
7.1 Générales.....	46
7.2 Topologie du câblage.....	47
7.2.1 Connexion à étoiles .....	47
7.2.2 Connexion de bus linéaire .....	47
7.3 Exigences de câblage .....	48
7.3.1 Calcul du niveau minimum d'alimentation requise .....	48
7.3.2 Exemple de calcul .....	48

8. Manuel de sécurité fonctionnelle.....	49
8.1 Introduction.....	49
8.2 Fonction de sécurité IRmax et IRmax Modbus .....	49
8.3 Informations relatives à la sécurité fonctionnelle .....	49
8.4 Configuration du matériel.....	50
8.5 Configuration du logiciel.....	50
8.6 Défaillances systématiques .....	50
8.7 Intervalle de diagnostic .....	50
8.8 Contraintes.....	50
8.9 Questions environnementales .....	51
8.10 Tolérance aux pannes du matériel.....	51
8.11 Capacité systématique .....	51
8.12 Classification.....	51
Garantie.....	52

## Concept détecteur IRmax

Le détecteur **IRmax** est un détecteur de gaz infrarouge (IR) ultra compact qui assure une détection rapide et à sécurité intégrée des hydrocarbures et vapeurs gazeux.

Doté de la technologie de capteur IR double longueur d'onde intégrée à un robuste boîtier en acier inoxydable 316, le détecteur **IRmax** est conçu pour opérer dans les conditions les plus rigoureuses. À la différence des détecteurs de gaz IR conventionnels, le détecteur **IRmax** ne comprend pas de chauffage empêchant la condensation sur les fenêtres et les miroirs. Le film STAY CLR revêtant les composants optiques empêche la formation de condensation pendant le fonctionnement du détecteur **IRMax**.

Le détecteur **IRmax** est compatible avec tout système de contrôle 4-20 mA et peut également être installé dans un réseau adressable Modbus RS485. (voir Section 7).

Le détecteur **IRmax** nécessite une alimentation de 1 Watt uniquement, ce qui représente une alimentation généralement de 75 à 90 % inférieure à celle des détecteurs de gaz IR conventionnels.

Le détecteur **IRmax** comporte une chambre de diffusion du gaz laquelle, combinée à un couvercle étanche et efficace, assure une excellente vitesse de réponse. Le couvercle étanche a été conçu au moyen d'un logiciel de modélisation de flux en vue de permettre le gazage et le calibrage à distance du détecteur **IRmax**, sans nécessiter de couvercle de calibrage spécial.

L'**IR Display** permet de contrôler localement et à distance les valeurs relevées dans **IRmax**. Un **IR Display** peut être installé directement dans **IRmax**. Sinon, le détecteur **IRmax** peut être fourni avec un module de protection de sécurité intrinsèque (SI) fixe. Un **IR Display** peut ensuite être connecté au module de protection SI par le biais d'un câblage temporaire ou permanent. Les options disponibles sont illustrées en Figure 3, page 33.

Pour de plus amples informations sur d'autres accessoires pour le **IRmax**, reportez-vous à la Figure 3 de la page 33 et la section 5, page 44.

## Informations de sécurité

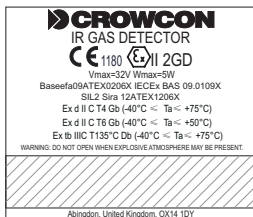
- Les détecteurs de gaz **IRmax** doivent être installés, utilisés et entretenus en respectant rigoureusement ces instructions, avertissements, informations d'étiquetage et dans les limites indiquées.
- L'écrou arrière figurant sur le détecteur **IRmax** doit être maintenu fermement en position fermée durant le fonctionnement. Ne pas tenter d'enlever l'écrou arrière avant que l'alimentation au détecteur n'ait été isolée, sous risque d'explosion en présence d'une atmosphère inflammable. Avant de retirer l'écrou en vue de la maintenance, du calibrage ou d'interventions de révision, vérifier que l'atmosphère environnante est exempte de gaz ou de vapeurs inflammables. Ne pas l'ouvrir avant un délai de quelques minutes après arrêt de l'alimentation.
- Les opérations de maintenance et de calibrage doivent être effectuées uniquement par un personnel de service qualifié.
- Seules des pièces de rechange d'origine **Crowcon** doivent être utilisées ; l'utilisation de pièces de substitution peut rendre invalides la certification et la garantie du détecteur **IRmax**.
- Les détecteurs **IRmax** doivent être protégés contre les risques de vibrations extrêmes et de lumière directe du soleil dans les environnements chauds car ceux-ci peuvent entraîner une hausse de la température du détecteur **IRmax** au-delà des limites spécifiées et ainsi susciter une défaillance prématurée.
- Le détecteur **IRmax** ne détecte pas l'hydrogène, l'ammoniac ou le dioxyde de carbone.
- L'équipement doit être relié à la terre au moyen du presse-étoupe et du câble armé d'acier.
- Certification pour les environnements poussiéreux zones 21/22 : La version de base IRmax (sans affichage IF ou module de sécurité intrinsèque) peut être utilisée dans les environnements susceptibles de contenir des poussières dangereuses (zones 21 ou 22).
- Le détecteur IRmax avec module de barrière à sécurité intrinsèque peut être utilisé dans les zones 21 ou 22 dès lors que la température ambiante demeure en dessous de 40 °C et qu'un affichage IR distant ou des affichages IR portables sont installés/utilisés uniquement en dehors de la zone dangereuse.
- Le détecteur IRmax avec affichage IR fixe ne peut être installé dans une zone 21 ou une zone 22.

## Présentation du produit

Le détecteur **IRmax** est un détecteur de gaz infrarouge conçu pour détecter les gaz hydrocarbures entre 0 et 100 % de la LIE (limite inférieure d'explosivité : concentration minimum dans l'air à laquelle une explosion peut se produire).

Le détecteur **IRmax** est un détecteur certifié antidéflagrant (Exd) adapté à un emploi en environnement à risques Zone 1 ou Zone 2 ATEX . Se reporter à l'étiquette de certification apposée sur le côté du détecteur pour identifier le type de certification se rapportant au produit fourni.

**Remarque : si aucune étiquette de certification n'est apposée sur le détecteur IRmax, le détecteur n'est pas certifié pour une utilisation dans des espaces dangereux.**



Étiquette d'homologation *IRmax* version de base



*IRmax* avec étiquette d'homologation de barrière à sécurité intrinsèque



*IRmax* avec étiquette d'homologation d'affichage *IR fixe*



Détecteurs certifiés pour une utilisation au Brésil



Figure 1: Étiquettes de certification du détecteur *IRmax*

# 1. Introduction

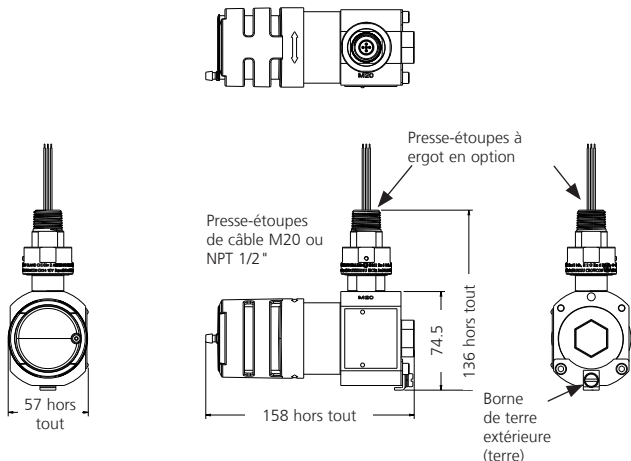
## 1.1 Générales

La configuration de chaque détecteur **IRmax** est identifiée par une étiquette apposée sur le corps principal de l'appareil. Lors de tout contact avec **Crowcon** en vue d'obtenir des conseils ou des pièces de rechange, veiller à indiquer le nom du produit, le numéro de pièce et le numéro de série.

## 1.2 Description du produit

Le détecteur **IRmax** se compose d'un corps principal en acier inoxydable 316, d'une enveloppe étanche antistatique recouvrant les éléments optiques et d'un ensemble avec chambre de mesure du gaz et éléments électroniques. Il est également possible d'installer un module d'affichage **IR Display**. Les instructions du montage de l'affichage **IR Display** sont indiquées dans le manuel de l'afficheur **IR Display** (M07061).

Un presse-étoupes à ergot de raccordement en option peut être fourni pour permettre la fixation du détecteur **IRmax** directement sur un boîtier de jonction auxiliaire doté d'entrées de câble M20 ou NPT 1/2".



Toutes les dimensions sont exprimées en millimètres.

Figure 2: Plan coté détecteur *IRmax*

**Remarque :** le corps du détecteur **IRmax** est fourni avec deux entrées de câble, l'une de type M20 et l'autre NPT 1/2". L'entrée de câble non spécifiée à la commande d'un détecteur **IRmax** sera rendue étanche à l'aide d'un obturateur certifié. Le détecteur **IRmax** doit être installé avec les deux entrées de câble obturées : l'une à l'aide d'un presse-étoupe et l'autre à l'aide d'un bouchon obturateur conforme à une norme IP66 certifiée.



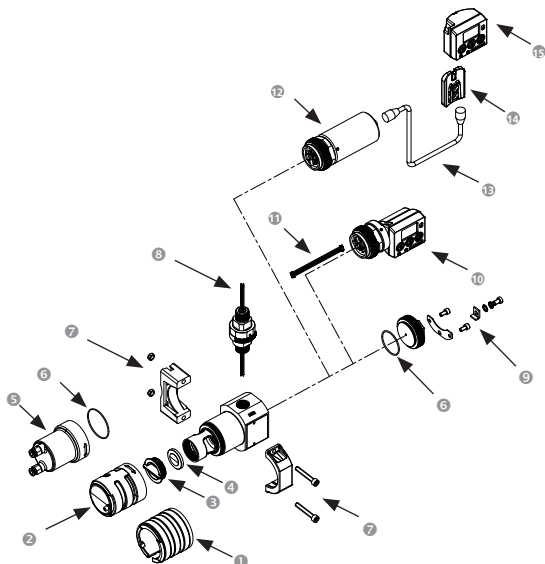


Figure 3: Vue éclatée du détecteur *IRmax* (avec numéros de pièce, si indiqué)

- ① Bouchon de calibrage M041007
- ② Enveloppe étanche M04995
- ③ Bague de retenue de miroir
- ④ Miroir
- ⑤ Adaptateur de flux S012996
- ⑥ Joint torique pour écrou de blocage, module de barrière à sécurité intrinsèque ou module à affichage **IR fixe** : M040077
- ⑦ Support de fixation d'assemblage complet S012130
- ⑧ Versions à presse-étoupes à ergot M20 ou NPT 1/2" : M20 ATEX: S012147, 1/2" NPT ATEX: S012190
- ⑨ Plaque de maintien et boulons d'obturateur arrière, affichage **IR fixe** et module de barrière à sécurité intrinsèque.
- ⑩ Affichage **IR Display** version fixe
- ⑪ Raccord d'affichage **IR Display** à détecteur **IRmax** E07987
- ⑫ Module de protection SI (sécurité intégrée)
- ⑬ Câble de raccordement d'affichage **IR Display**
- ⑭ Support de montage d'affichage **IR Display distant** M03833
- ⑮ Affichage **IR Display distant**

} Livré ensemble comme un « kit de remplacement de miroir » C011206

## 2. Installation

### AVERTISSEMENT

- Ce détecteur est conçu pour un emploi environnement à risques Zone 1 et Zone 2, la certification dépendant des accessoires montés et de la température de fonctionnement environnante. Se référer au tableau de spécifications en page 43 pour plus de détails sur la certification. L'installation doit être conforme aux normes reconnues de l'instance en vigueur dans le pays concerné.
- Pour plus d'informations, contacter Crowcon. Avant de procéder à toute intervention d'installation, veiller à suivre les réglementations et procédures de site en vigueur localement.
- L'équipement doit être relié à la terre au moyen du presse-étoupes et du câble armé d'acier.
- Ne pas tenter de poser l'affichage IR Display sur un détecteur IRmax non fourni à cet effet. Les détecteurs IRmax fournis pour une utilisation avec un affichage sont certifiés Exd ia et doivent être utilisés au moyen d'un affichage fixe doté d'une protection SI ou avec un affichage distant ou manuel raccordé par un module de protection SI Crowcon.
- Les détecteurs fournis sans affichage sont certifiés Exd IIC et ne peuvent être soumis à une réadaptation en vue d'une utilisation avec un affichage IR Display.

### 2.1 Implantation

Le détecteur **IRmax** doit être monté à l'endroit où le gaz à détecter est le plus susceptible d'être présent. Tenir compte des points suivants lors de l'implantation de détecteurs de gaz :

- Pour détecter des gaz plus légers que l'air, le méthane par exemple, les détecteurs doivent être montés en hauteur. Pour détecter des gaz plus lourds que l'air, les vapeurs inflammables par exemple, les détecteurs doivent être montés à un niveau bas.
- Lors de l'implantation de détecteurs, tenir compte des dommages pouvant être provoqués par les événements naturels tels que la pluie ou les inondations. Pour les détecteurs montés en extérieur dans les régions très chaudes, **Crowcon** recommande l'utilisation d'un pare-soleil (see Section 5, Accessoires et pièces de rechange, on page 44.)
- Tenir compte de la facilité d'accès en vue des essais de fonctionnement et des révisions.
- Envisager le comportement éventuel d'une fuite de gaz sous l'effet de courants d'air naturels ou forcés. Si cela s'avère indiqué, monter le détecteur **IRmax** dans des canalisations de ventilation (au moyen du kit de montage de canalisation de détecteur **IRmax** (see Section 5, Accessoires et pièces de rechange, on page 44).
- Tenir compte des conditions du processus. Par exemple, le butane est généralement plus lourd que l'air, mais diffusé à partir d'un processus à une température et/ou une pression élevée, le gaz est susceptible de monter plutôt que de descendre.

Le placement des capteurs doit être déterminé en suivant les conseils d'experts possédant des connaissances spécialisées sur la dispersion du gaz et les équipements de traitement de l'usine, de même qu'en matière de sécurité et d'ingénierie.. L'accord convenu quant à l'implantation des capteurs doit être consigné.

## 2.2 Montage

Le détecteur **IRmax** peut être monté de trois façons :

1. Au moyen du support de fixation en option (**Crowcon**), avec raccord de câble direct (utilisation avec 4-20 mA uniquement).
2. À l'aide d'un presse-étoupes à ergot en option pour raccorder un boîtier de jonction certifié Exe ou Exd existant. **Crowcon** offre un presse-étoupe à ergot approprié comme pièce supplémentaire en option (voir 3 ci-dessous)
3. Au moyen du boîtier de jonction et d'un presse-étoupes à ergot **Crowcon** en option.

La liste des pièces en option est indiquée à la section 5 de la page 44.

Le détecteur **IRmax** doit être installé dans un emplacement désigné, le cylindre du capteur en position horizontale à +/- 15° (l'orientation est illustrée sur la Figure 2, en page 32). Ceci permet de veiller à ce que de la poussière ou de l'eau ne s'accumulent pas sur les composants optiques.

## 2.3 Câblage direct vers le détecteur IRmax

Cette option convient uniquement à un fonctionnement 4-20 mA. Un **Crowcon** support de fixation est nécessaire pour fixer le détecteur à un mur ou un tuyau de 2" (50 mm).

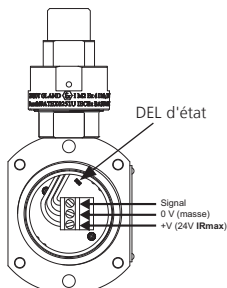
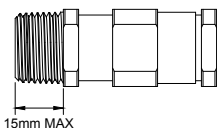


Figure 4: Connexions de câble sur site sur l'IRmax

Raccorder les câbles au moyen d'un presse-étoupes certifié, par l'entrée de câble choisie sur le corps du détecteur **IRmax** (M20 ou NPT 1/2"). **Crowcon** recommande d'installer les presse-étoupes de câbles orientés vers le bas.



Veiller à utiliser des presse-étoupes de câbles associés à la certification Exd appropriée et s'assurer que la longueur de filetage ne dépasse pas la longueur spécifiée dans la figure (gauche).

## 2. Installation

### 2.3.1 Désignation de bornes

Avec le détecteur **IRmax** orienté comme illustré en Figure 2, page 32 (entrée de câble en haut), le câble à 3 fils doit être raccordé au moyen du raccord amovible, comme suit :

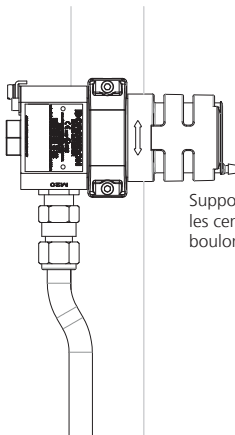
+24 V en bas, 0 V au milieu et signal en haut.

Le connecteur 6 broches situé à droite du circuit imprimé est destiné aux révisions et/ou au raccordement d'un module d'affichage **IR Display**.

- Borne positive : alimentation positive depuis la carte de contrôle.
- Borne Sig : Signal depuis la carte de contrôle.
- Borne 0 V : alimentation négative depuis la carte de contrôle.

### 2.3.2 Installation du détecteur **IRmax** à l'aide d'un support de fixation

- a. Le détecteur **IRmax** peut être fourni avec un support de fixation (S012130) plutôt qu'avec un presse-étoupes à ergot, de manière à pouvoir le raccorder directement à des câbles (voir Figure 5).



Support de fixation : 70 mm entre les centres de fixation. Utilisez des boulons M6.

Figure 5: Détecteur **IRmax** avec support de fixation et presse-étoupes de câble

- b. Si le détecteur doit être monté sur une surface plane, marquer l'emplacement de deux orifices et percer en utilisant le support de fixation comme modèle. Fixer sans serrer deux parties du support en se servant d'une paroi/surface adéquate.
- c. Retirer le couvercle étanche du détecteur **IRmax** puis faire glisser le corps du détecteur par le support. Il est recommandé d'installer le corps du détecteur **IRmax** avec l'entrée de câble orientée vers le bas.

- d. Serrer les deux fixations de support de sorte que le détecteur **IRmax** soit maintenu fermement en place. Remettre l'enveloppe étanche en place.
- e. Une fois le détecteur **IRmax** fixé en place, déposer l'écrou arrière du détecteur **IRmax** afin de permettre l'accès aux bornes de câble.
- f. Préparer le câble. **Crowcon** recommande un câble à blindage acier (SWA ou Steel Wire Armoured de 1,5 mm<sup>2</sup>), d'autres types de câble pouvant être utilisés dès lors qu'ils sont compatibles avec des presse-étoupes certifiés Exd). Poser un presse-étoupes de câble de certification Exd appropriée, passer les conducteurs de câble par le corps du détecteur **IRmax** et visser l'ensemble dans le presse-étoupes de câble. Fixer le presse-étoupes en place et s'assurer que l'armure du câble est reliée à la masse au presse-étoupes du câble et au corps du détecteur **IRmax**. NB. Ne pas oublier de reposer l'écrou arrière après avoir installé le câble.
- g. La plaque de maintien (élément 9 en Figure 3, page 33) doit être fixée solidement afin d'empêcher que l'écrou arrière (ou l'accessoire d'affichage IR fixe ou de modèle de barrière à sécurité intrinsèque) risque de se desserrer.

### 2.4 Installation au moyen d'un presse-étoupes à ergot et d'un boîtier de jonction auxiliaire

Cette option est requise lorsque le détecteur **IRmax** doit être raccordé à un boîtier de jonction auxiliaire certifié Exe ou Exd existant.

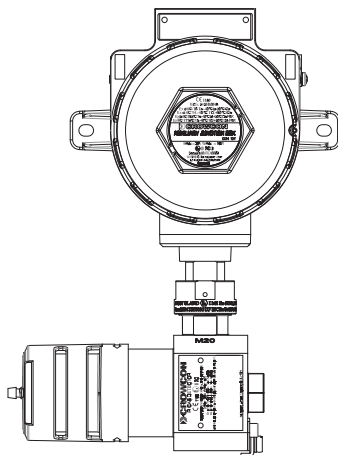


Figure 6: Détecteur **IRmax** raccordé à un boîtier de jonction auxiliaire

## 2. Installation

### 2.4.1 Pour poser le détecteur IRmax sur un boîtier de jonction auxiliaire :

- Procéder avec précaution pour retirer la partie extérieure du presse-étoupes à ergot (élément 8 de la Figure 3, page 33).
- Visser l'extrémité étroite du presse-étoupes à ergot dans le boîtier de jonction auxiliaire.
- Lever le détecteur **IRmax** jusqu'au boîtier de jonction et faire passer les fils par l'ensemble et dans le boîtier de jonction auxiliaire. Fixer le détecteur **IRmax** en place en vissant à fond le collier sur le presse-étoupes de câble. Serrer la vis de rappel.
- Le corps principal du détecteur **IRmax** peut être pivoté horizontalement selon un angle, dès lors qu'il est sûr d'un point de vue mécanique, qu'il est sans incidence sur tout autre équipement et est accessible en vue d'interventions de maintenance.
- Se reporter à la Section 2.6 pour des instructions sur le câblage. Voir aussi Figure 4, page 35.

## 2.5 Exigences de câblage

Le câblage au détecteur **IRmax** doit être conforme aux normes reconnues de l'instance en vigueur dans le pays concerné et il doit satisfaire aux exigences électriques du détecteur **IRmax**.

**Crowcon** recommande l'utilisation d'un câble à blindage acier (SWA ou Steel Wire Armoured) et des presse-étoupes antidéflagrants adéquats doivent être utilisés. D'autres techniques de câblage telles les conduites en acier peuvent être acceptables, dès lors que des normes appropriées sont respectées.

La longueur de câble maximum recommandée est de 3,4 km (voir le Tableau 1).

Le détecteur **IRmax** nécessite une alimentation cc de 12-30 V. Veiller à une alimentation minimum de 12 V du panneau de commande au détecteur **IRmax**, en tenant compte de la baisse de tension due à la résistance du câble à une intensité de crête de 0,1 A.

En général, un câble de 1,5 mm<sup>2</sup> permet de disposer de longueurs de câbles allant jusqu'à 3,0 km. Le Tableau 1 ci-dessous indique les distances de câble maximum lors d'une utilisation de paramètres de câble types.

Coupe	Résistance	Max. Distance >20 V	Max. Distance 18 à 20 V
mm <sup>2</sup>	(Ohms par km)	(km)	(km)
1,0	18,4	2,2	1,6
1,5	13,0	3,0	2,3
2,5	11,5	3,4	2,6

Tableau 1 : distances de câble maximum pour câbles types

## 2.6 Raccordements et paramètres

Tous les raccordements décrits se rapportent au bornier monté sur le corps principal du raccord de détecteur **IRmax**. Les bornes du circuit imprimé de raccord de détecteur **IRmax** sont marquées « + », « sig » et « 0 V ». La polarité adéquate doit être observée lors du raccordement du détecteur **IRmax** à l'équipement de commande.

Le détecteur **IRmax** est réglé en usine comme étant un dispositif à « écoulement de courant », sauf spécification contraire à la commande. Pour réinitialiser la « source de courant », retirer la retour écrou et déplacer les deux liaisons du circuit imprimé de borne de la position « d'écoulement » à la position de « source », comme indiqué sur la Figure 7.

**Remarque : La borne de terre extérieure est utilisée uniquement lorsque les autorités locales permettent ou nécessitent un raccordement de ce type. Lorsque cela est possible, dans le but de limiter les interférences de fréquence radio, le boîtier de jonction et l'armure de câble doivent être mis à la terre uniquement au panneau de commande (zone sûre) afin d'éviter les circuits de terre.**

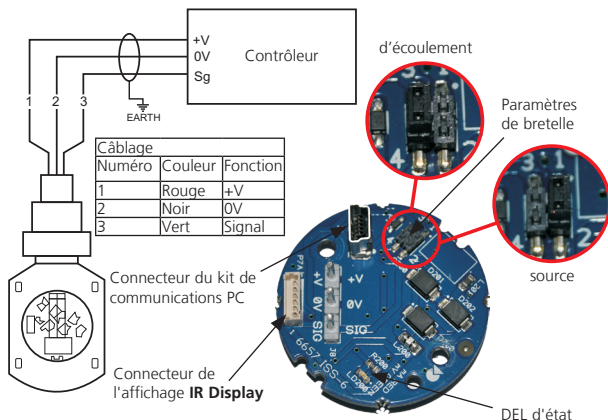


Figure 7: Emplacement de bretelle d'écoulement/de source

Le signal 4-20 mA peut être défini sur « écoulement » ou « source » de courant au moyen des broches et de la liaison de bretelle indiquées dans la Figure 7. Réglez le collecteur de courant (« Sink ») en installant le cavalier aux broches 3 et 4, comme illustré sur la photo de gauche. Réglez le circuit source en installant le cavalier aux broches 1 et 2, comme illustré sur la photo de droite. Les détecteurs **IRmax** seront définis sur « écoulement de courant », sauf spécification contraire à la commande.

**Indication par DEL : Une DEL est montée sur le circuit imprimé à bornes pour indiquer l'état de fonctionnement actuel. Se reporter à la Section 6 pour plus d'informations.**

# 3. Fonctionnement

## AVERTISSEMENT

Avant de procéder à toute intervention, veiller à suivre les réglementations et procédures de site en vigueur localement. Ne jamais essayer d'ouvrir le détecteur IRmax ou le boîtier de jonction en présence de gaz inflammable. S'assurer que le panneau de commande associé est désarmé afin d'empêcher les fausses alarmes.

### 3.1 Procédure de mise en service

1. Vérifier que :
  - a. Les raccordements de câble sont corrects.
  - b. La tension d'alimentation est réglée au niveau de la carte de contrôle entre 18 et 30 V. La tension mesurée aux bornes du détecteur **IRmax** (dans le boîtier de jonction Exe si ce dernier est utilisé ou au circuit imprimé de bornes de détecteur **IRmax**) et elle doit être réglée entre 12 et 30 V.
  - c. Les liaisons sont réglées pour un écoulement ou une source de courant 4-20 mA, selon la carte de contrôle.
2. Après la mise sous tension, attendre 30 minutes avant de procéder à la remise à zéro/au calibrage. Ce délai a pour objet de veiller à la stabilité thermique. (**Remarque : Le détecteur IRmax sera entièrement opérationnel 30 secondes après application de l'alimentation.**)
3. Veiller à disposer d'air propre (c'est-à-dire sans gaz hydrocarbure) avant la remise à zéro. Indicateur de zéro au niveau de la carte de contrôle (se reporter aux instructions de la carte de contrôle).
4. Poser un bouchon de calibrage sur l'enveloppe étanche afin d'isoler la chambre de mesure de l'air ambiant. Un couvercle de ce type est disponible auprès de **Crowcon** (M041007). Raccorder le gaz de calibrage (50 % LIE nom.) et appliquer à un débit de 1 litre par minute.
5. Après un délai de 30 secondes régler le calibrage/le réglage sur la carte de contrôle, de sorte que la valeur soit 50 % de la LIE ou qu'elle corresponde à la concentration de gaz de calibrage appliquée. Le détecteur **IRmax** même ne devrait pas nécessiter de calibrage.
6. Retire le bouchon de gaz et de calibrage. Vérifier de nouveau le zéro.
7. Au moment de l'installation ou après changement du miroir, le détecteur peut être remis à zéro et calibré au moyen d'un accessoire d'affichage **IR Display** (voir page 29) ou par le biais d'un kit de communication PC (voir le manuel sur les accessoires **IRmax**).

**Remarque : Des détecteurs IRmax certifiés ATEX seront fournis calibrés en fonction de la conformité avec EN61779 (selon l'exemple 100 % de la LIE méthane = 4,4 % volume).**

**Remarque : Il est recommandé d'utiliser le bouchon de calibrage pour la mise en service initiale. Des calibrages subséquents peuvent être effectués en effectuant une application distante de gaz vers l'enveloppe étanche, via l'ergot de tuyau (ce qui évite ainsi d'accéder directement au détecteur IRmax). Un calibrage sans le bouchon de calibrage (c'est-à-dire par le biais de l'enveloppe étanche) peut être effectué dès lors que la vitesse de vent locale est inférieure à 2 mètres/seconde. Le débit du gaz doit être supérieur à 2,0 litre/minute.**



## 3.2 Maintenance programmée

Les pratiques du site gouvernent la fréquence à laquelle le détecteur **IRmax** doit être testé. **Crowcon** recommande qu'un détecteur **IRmax** soit soumis à des essais sur les gaz et recalibré au moins tous les 6 mois si nécessaire. Pour recalibrer un détecteur **IRmax**, suivre les étapes indiquées en Section 3.1.

En cas de défaillance électronique, consulter votre représentant **Crowcon** local.

Intervalle de calibrage :	<b>Crowcon</b> recommande d'effectuer un calibrage tous les 12 mois.
Calibrage distant par le biais d'un tuyau :	La vitesse du vent doit être inférieure à 2 mètres par seconde. Si elle est supérieure, utiliser le bouchon de calibrage pour empêcher les risques de dilution du gaz.
Nettoyage des éléments optiques :	Il <b>n'est pas</b> recommandé, sauf si le détecteur <b>IRmax</b> présente un défaut d'obscurcissement. Si la fenêtre ou le miroir deviennent contaminés, les nettoyer soigneusement à l'eau (voir Section 5, Accessoires et pièces de rechange, page 44)
Miroirs :	S'ils sont endommagés, contacter <b>Crowcon</b> en vue d'un remplacement (voir Section 5, Accessoires et pièces de rechange, page 44) Le détecteur <b>IRmax</b> doit toujours être remis à zéro et recalibré après un remplacement de miroir.  Si de la condensation commence à entraîner des défauts, remplacer le miroir (il se peut que le revêtement optique soit endommagé). <b>Crowcon</b> recommande de remplacer le miroir tous les 5 ans.

## 3.3 Changement de types de gaz

Chaque détecteur **IRmax** est fourni précalibré pour un type de gaz donné (par exemple du méthane ou du propane). Si un ré-étalonnage est nécessaire pour un type de gaz différent, le détecteur **IRmax** peut être reconfiguré au moyen du kit de communications PC (voir Section 5, Accessoires et pièces de rechange, page 44), avant d'être étalonné..

## 3. Fonctionnement

### 3.4 Réponses relatives des types de gaz

Le graphique ci-dessous indique les réponses relatives à d'autres types de gaz pour un détecteur IRmax calibré en fonction de méthane.

*Remarque : de nombreux gaz et vapeurs d'hydrocarbure sont plus aisément détectés par les détecteurs IR que le méthane. La réponse de l'IRmax (et d'autres détecteurs de gaz IR) sera linéaire à l'échelle de la plage 0-100 % LEL pour le gaz cible (p.ex. le méthane dans cet exemple), mais elle sera non -linéaire pour d'autres hydrocarbures pouvant être également présents.*

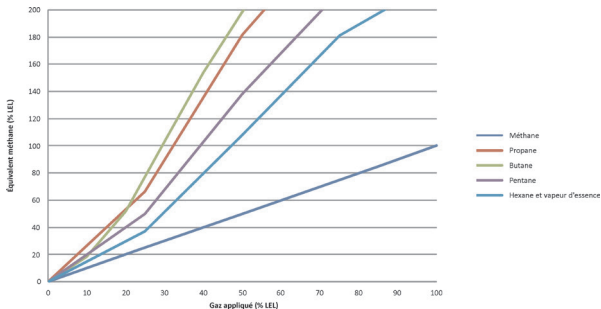



Figure 8

La figure indique la réponse des gaz mentionnés ci-dessus : de gauche à droite, propane, butane, pentane et méthane.

D'autres types et plages de gaz sont disponibles. Contacter **Crowcon** pour plus de détails.

## 4. Spécifications

Matériau d'enveloppe	Acier inoxydable 316
Dimensions (détecteur uniquement)	158 mm x 75 mm x 57 mm (sans ergot)
Poids	<b>IRmax</b> 1,58 kg (3,5 lbs) <b>IRmax</b> avec <b>IR Display</b> fixe 2 kg (4,4 lbs) <b>IRmax</b> avec module de protection SI 2,4 kg (5,3 lbs) <b>IR Display</b> à distance 0,2 kg (0,4 lbs)
Tension de fonctionnement	12 à 30 V cc
Alimentation	< 1 W
Sortie	4-20 mA 3 fils (écoulement ou source)
Signal de défaut	<1 mA
Résistance de boucle de câble max.	80 ohms (par rapport à la borne négative)
Température de fonctionnement	-40 °C à +75 °C (-40 °F à +167 °F)
Humidité	Humidité relative de 0 à 100 %
Degré de protection	IP66
Protection contre les explosions	Antidéflagrant
Code d'approbation ATEX 	Détecteur <b>IRmax</b> (sans affichage <b>IR Display</b> ) II 2 GD Exd IIC T6 Gb Tamb = -40°C à +50°C II 2 GD Exd IIC T4 Gb Tamb = -40°C à +75°C II 2 GD Ex tb IIIC T135°C Db (-40°C ≤ Ta ≤ +75°C) <b>IRmax</b> avec module de barrière à sécurité intrinsèque (affichage distant) II 2 GD Exd ia IIC T4 Gb Tamb = -40°C à +75°C Ex tb ia IIIC T135°C Db Tamb = -40°C à +40°C <b>IRmax</b> avec affichage <b>IR fixe</b> II 2 G Exd ia IIC T4 Gb (Tamb = -40°C à +75°C)
N° de certificat de sécurité ATEX et IECEx	Détecteur <b>IRmax</b> (sans affichage <b>IR Display</b> ) : Baseefa 09ATEX0206X et IECEx BAS.09.0109X Détecteur <b>IRmax</b> (avec affichage <b>IR Display</b> ) : Baseefa 09ATEX0220X et IECEx BAS.09.0104X
Sécurité fonctionnelle	Certifié en vue d'une utilisation sur un système SIL 2. Numéro de certificat : Sira 12ATEX1206X
Normes	EN60079-0:2006, EN60079-1:2004, EN60079-29-1:2007, EN61779 IEC61508: 2010, EN50402: 2005
Zones	Certifié pour une utilisation en Zone 1 ou en Zone 2
CEM	EN50270

## 5. Accessoires et pièces de rechange

Numéros de pièce	Nom	Description
M041007	Bouchon de calibrage	S'installe sur l'enveloppe étanche standard pour permettre un calibrage lorsque la vitesse de l'air local est supérieure à 2 mètres par seconde.
S012130	Kit de support de montage	Permet un montage sur un mur ou un tuyau de 2" (50 mm). Non nécessaire si le détecteur <b>IRmax</b> est installé sur un boîtier de jonction existant.
S012152	Pare-soleil/cône collecteur	Peut être monté sur un détecteur <b>IRmax</b> en vue d'une protection contre les températures élevées résultant de la lumière directe du soleil et/ou pour étendre l'empreinte des détecteurs lors de la détection de gaz plus légers que l'air (par exemple méthane).
S012169	Kit de montage de canalisation	Permet un contrôle de canalisation entre 300 et 3 000 mm, et de débit de l'air entre 2 et 20 m/s.
S012996	Adaptateur de débit	Pour les applications de calibrage du gaz.
S012827	Kit de communication PC	Module, logiciel et câble de communication permettant de configurer le détecteur.
M20: S012295 ½" NPT: S012296	Boîtier de jonction auxiliaire	Option de montage pour <b>IRmax</b> , pour un emploi en environnements à risques.
C011210	Kit de nettoyage de miroir	Contient des lingettes imprégnées d'alcool isopropylique et un chiffon en microfibras

### Pièces de rechange de détecteur IRmax

Se reporter à la Figure 3 en page 33 pour plus de détails sur les pièces de rechange.

## 6. Dépannage du détecteur

### 6.1 Erreurs signalées par DEL

La DEL montée sur le circuit imprimé de la borne permet d'identifier les défauts. Sa position est indiquée sur la Figure 7, page 39. Le tableau ci-dessous indique comment interpréter le problème correspondant à chaque modèle de clignotements.

Modèle DEL	État du détecteur	Action
Clignotement régulier toutes les secondes	En bon état	
Allumé et s'éteignant lors de courtes impulsions.	Détecteur <b>IRmax</b> en mode de démarrage.	Attendre 10 secondes.
Clignotement rapide activé et désactivé ou modèle de clignotement irrégulier.	Tension d'alimentation trop faible ou trop élevée.	S'assurer que la tension d'alimentation du détecteur <b>IRmax</b> est réglée correctement. S'assurer que la mesure est effectuée directement au niveau des bornes du détecteur <b>IRmax</b> .
Allumé en permanence.	Défaut, erreur d'hôte ou d'i-module.	Effectuer un cycle d'alimentation vers le détecteur <b>IRmax</b> . Si le défaut persiste, le renvoyer à <b>Crowcon</b> .
Deux longs clignotements suivis d'un clignotement court.	Erreur fatale ; défaut de voyant ou de détecteur.	Renvoyer à <b>Crowcon</b>
Clignotement double rapide toutes les secondes.	Erreur fatale, défaut de module ou de configuration.	Contrôler la configuration du détecteur <b>IRmax</b> au moyen du logiciel kit de communication PC. Contrôler l'alimentation électrique. Si le défaut persiste, le renvoyer à <b>Crowcon</b> .
Impulsion courte toutes les secondes.	Obscurcissement des éléments optiques.	Contrôler la fenêtre et le miroir et les nettoyer si nécessaire. Remettre le détecteur <b>IRmax</b> à zéro et contrôler le calibrage.

Tout autre défaut peut être rectifié uniquement en renvoyant le détecteur **IRmax** à **Crowcon** ou à un agent d'entretien autorisé.

### 6.2 Sortie analogique

**IRmax** restera dans l'état de Défaut (Fault) et le message « Entretien requis » (Service required) sera également indiqué sur l'affichage IR (si monté) si le signal de sortie analogique est défaillant ou s'il n'est pas connecté à un système de contrôle ou à une résistance de charge. Le détecteur **IRmax** contrôle activement le signal de sortie analogique 4-20 mA afin de vérifier s'il se situe dans cette plage de valeurs. Si le signal se situe en dehors de cette plage, le détecteur passe en mode Défaut et le signal est défini sur la valeur 1 mA. Par conséquent, lors des tests d'un détecteur, il importe essentiellement de raccorder celui-ci à un tableau de commande ou raccorder une résistance de charge de 100 Ω entre les bornes « 0 V » et « Sig » (le détecteur est configuré selon le mode « Source ») ou entre les bornes « 0 V » et « V » (le détecteur est configuré selon le mode « Courant absorbé »).

# 7. Configuration du Modbus RS485

## 7.1 Générales

Cette section explique comment utiliser un détecteur **IRmax** dans une configuration Modbus. Une version activée RS485 est disponible pour ce type d'application. Il est possible de relier jusqu'à 32 détecteurs **IRmax** selon des configurations en étoiles ou par bus, comme décrit ci-dessous.

Les connexions à la version RS485 du détecteur **IRmax** doivent être effectuées au moyen d'un presse-étoupes à ergot vers un boîtier de jonction auxiliaire (voir Section 5, page 44), plutôt qu'à l'aide d'un câblage direct dans le détecteur.

Noter que l'affichage **IR Display** ne peut être utilisé avec des détecteurs **IRmax**.

La version activée RS485 du détecteur **IRmax** comporte cinq bornes. Ces bornes sont les suivantes :

1	Alimentation positive	12 à 30 V au-dessus de 0 V
2	0V	Référence retour et RS485
3	Signal 4-20 mA	Signal source ou écoulement (option)
4	RS485 B	Signal différentiel RS485
5	RS485 A	Signal différentiel RS485

Les signaux aux bornes RS485 sont conformes à la norme EIA/TIA-485, ce qui signifie que la plage de mode commune se situe de -7 V à +12 V pour ce qui est de la borne 0 V.

Noter que tous les fabricants ne s'accordent pas en ce qui concerne la polarité des signaux A et B. Si le câblage ne fonctionne pas dans un sens, les utilisateurs doivent intervertir les câbles A et B RS485. Il n'y a aucun risque de raccordement incorrect.

Les paramètres de communication sont 9 600 bps, deux bits d'arrêt et aucune parité.

Lors de la compilation d'une interface de système de contrôle, il importe de tenir compte du temps nécessaire au système pour recueillir les informations tour à tour pour chaque détecteur. La vitesse la plus rapide à laquelle plusieurs détecteurs peuvent être interrogés est de 14 détecteurs par seconde, les conditions dans la pratique pouvant réduire ce nombre à 7 détecteurs par seconde. Les utilisateurs doivent s'assurer que l'arrangement permet aux signaux d'alarme d'être enregistrés dans les limites de temps acceptables.

Il importe également de veiller à ce que le système puisse fournir une alimentation suffisante en vue de maintenir le fonctionnement de tous les détecteurs. Pour calculer la quantité d'alimentation nécessaire à une connexion par bus linéaire, voir Section 7.3, Exigences de câblage, page 48.

Pour obtenir des instructions Modbus complètes, contacter **Crowcon** (voir les adresses au verso de la couverture).

## 7.2 Topologie du câblage

Les deux topologies de câblage utilisées communément sont la connexion à étoiles et le bus linéaire.

### 7.2.1 Connexion à étoiles

Dans une topologie à étoiles, tous les détecteurs sont reliés par câble à un point central, généralement le panneau de commande. Aucun câble ne nécessite plus de cinq fils, toutes les connexions de signal 4-20 mA étant acheminées directement vers le panneau de commande.

Les signaux A et B RS485 peuvent ensuite être tous connectés ensemble au point étoile. Le bus doit ensuite être terminé au point étoile au moyen d'une résistance de connexion de sortie 110 ohms.

La longueur de chaque bras de l'étoile ne peut dépasser 750 mètres.

### 7.2.2 Connexion de bus linéaire

Dans une topologie à connexion de bus, tous les détecteurs **IRmax** sont reliés par câble à un arrangement linéaire, généralement avec le panneau de commande à une extrémité. Selon une installation classique en tunnel, les détecteurs **IRmax** sont installés à intervalles réguliers (voir Figure 9 ci-dessous).

Pour raccorder le câblage de l'installation, poser deux résistances de connexion de sortie 110 ohms à chaque extrémité physique du bus.

Les signaux 4-20 mA ne pouvant être partagés, un conducteur supplémentaire est nécessaire sur chaque distance de répétition de câblage. Si aucun des signaux 4-20 mA n'est utilisé, seuls quatre conducteurs seront nécessaires.

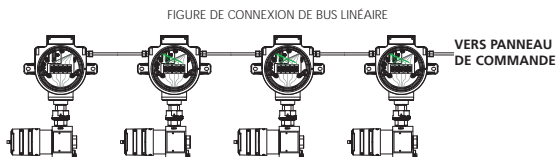


Figure 9

## 7. RS485 Modbus configuration

### 7.3 Exigences de câblage

#### 7.3.1 Calcul du niveau minimum d'alimentation requise

Plus le nombre de détecteurs **IRmax** connecté au bus linéaire est important et plus l'alimentation nécessaire au système sera élevée. Pour calculer l'alimentation requise pour une configuration particulière, il est nécessaire de connaître la résistance de câble entre chaque paire de détecteurs **IRmax**. Un courant d'au moins 0,1 mA doit être prévu pour chaque « distance de répétition » entre les détecteurs **IRmax**. La tension à appliquer peut être calculée en estimant la baisse de tension au niveau de chaque « distance de répétition ». À terme, il doit rester une tension d'au moins 12 V pour veiller à ce que le dernier détecteur **IRmax** fonctionne correctement.

Contactez **Crowcon** pour tout conseil sur une situation spécifique. Sinon, suivre les étapes ci-dessous et le calcul modèle indiqué dans la section suivante.

1. La tension ne doit pas baisser en-dessous de 12 V ; veiller donc à effectuer le calcul en définissant la tension du dernier détecteur **IRmax** de la ligne selon cette valeur.
2. Chaque détecteur **IRmax** peut utiliser jusqu'à 0,1 A. Calculer la perte de tension de câble de la première distance de répétition séparant les détecteurs en admettant que le « courant cumulé » correspond à 0,1 A et multiplier cette valeur par la résistance de câble de la distance de répétition entre le dernier détecteur et l'avant-dernier des détecteurs **IRmax**.
3. Ajouter cette baisse de tension à la tension initiale de 12 V pour obtenir la tension la plus basse acceptable à l'avant-dernier des détecteurs **IRmax**. Ajouter 0,1 A à la valeur de « courant cumulé » pour parvenir à 0,2 mA, valeur de courant minimum alimentant l'avant-dernière distance de répétition du bus. Multiplier cette valeur par la résistance de câble de l'avant-dernière distance de répétition pour obtenir la baisse de tension suivante.
4. Répéter ce processus pour chaque détecteur **IRmax**, en accumulant les pertes de tension se produisant entre chaque détecteur **IRmax**.
5. Une tension de détecteur maximum de 30 V ne doit pas être dépassée.

#### 7.3.2 Exemple de calcul

À titre d'exemple, voici les résultats du calcul pour six détecteurs **IRmax** séparés d'une distance égale de 250 m sur câble, avec une section de 1 mm<sup>2</sup>. Chaque distance de répétition a une résistance de 4,6 ohms..

Station	Tension d'alimentation	Alimentation en courant
1	12	0,1 A
2	12,46	0,2 A
3	13,38	0,3 A
4	14,76	0,4 A
5	16,6	0,5 A
6	18,9	0,6 A
Alimentation de panneau	21,66	0,6 A



# 8. Manuel de sécurité fonctionnelle

## 8.1 Introduction

Les sections suivantes fournissent des informations sur la certification de l'IRmax, conformément aux normes de sécurité fonctionnelle IEC 61508 et EN 50402. Des informations sont fournies sur les caractéristiques relatives à la sécurité, aux exigences et aux données de maintenance, afin de permettre l'intégration de l'IRmax dans le système de sécurité actif (Safety Instrumented System - SIS).

## 8.2 Fonction de sécurité IRmax et IRmax Modbus

Pour mesurer la concentration de gaz inflammables et indiquer la mesure au moyen d'une sortie 4-20 mA.

Les défaillances liées à la fonction de sécurité seront détectées par le matériel et le micrologiciel associé. Elles seront indiquées sous forme de signal de sortie inférieur à 3,6 mA ou supérieur à 21 mA.

## 8.3 Informations relatives à la sécurité fonctionnelle

Nom de paramètre	Symbole	Équation/source	IRmax
Intervalle d'essai de mise à l'épreuve	T1	Comme défini par Crowcon.	8 760 heures (annuel)
Durée moyenne des réparations	MTTR	Comme défini par Crowcon.	8 heures
Type A/B	Type A	Comme défini par Crowcon.	Type B
Défaillances totales :	$\lambda$	De l'AMDEC	1.04E-05
Défaillances diagnostiquées sûres :	$\lambda_{SD}$	De l'AMDEC	1.95E-08
Défaillances non diagnostiquées sûres :	$\lambda_{SU}$	De l'AMDEC	8.59E-08
Défaillances diagnostiquées dangereuses :	$\lambda_{DD}$	De l'AMDEC	9.74E-06
Défaillances non diagnostiquées dangereuses :	$\lambda_{DU}$	De l'AMDEC	5.06E-07
Défaillances sans effet sûres :	$\lambda_{NE}$	De l'AMDEC	3.21E-09
Champ d'application des diagnostics :	DC	$\lambda_{DD} / (\lambda_{DU} + \lambda_{DD})$	95.06%
Fraction de défaillance sans danger :	SFF	$(\lambda_{SD} + \lambda_{SU} + \lambda_{DD}) / \lambda$	95.11%
Temps d'arrêt d'équivalent de canal	$t_{CE}$	$(\lambda_{DU} / \lambda_D)(T/2 + MTTR) + (\lambda_{DD} / \lambda_D) MTTR$	2.24E+02
PFDAVG (au moyen d'une équation 61508-6)	$PFDAVG$	$(\lambda_{DU} + \lambda_{DD}) t_{CE}$	2.30E-03
PFDAVG (au moyen d'une équation simplifiée)	$PFDAVG$	$\lambda_{DU} (T / 2 + MTTR) + (\lambda_{DD} MTTR)$	2.30E-03
PFDAVG (au moyen d'une équation IEC 61508-6)	$PFDAVG$	$1 - e^{-(\lambda_{DD} + \lambda_{DU}) t_{CE}}$	2.30E-03
Capacité SIL (mode demande faible)			<b>SIL2</b>
Capacité SIL (mode demande élevée)			<b>SIL2</b>

**Pour les applications à demande faible**, toutes les variantes du système conviennent à une utilisation dans les applications SIL 2, pour ce qui est des défaillances de matériel aléatoires et de la fraction de défaillance sans danger.

## 8.4 Configuration du matériel

Le cheminement 1H (tolérance de défaillance de matériel et fraction de défaillance sans danger) a été utilisé pour évaluer le niveau d'intégrité de la sécurité du matériel.

## 8.5 Configuration du logiciel

L'évaluation du micrologiciel du produit a été effectuée conformément aux exigences précisées dans la norme CIE 61508:3 2010.

## 8.6 Défaillances systématiques

Le cheminement 1S (défini dans la norme CIE 61508:2 2010 paragraphe 7.4.2.2c) est utilisé pour la conformité avec les exigences relatives à la prévention des défaillances systématiques.

## 8.7 Intervalle de diagnostic

La plupart des fonctions de diagnostic sont contrôlées de manière continue.

Des essais portant sur le dispositif de surveillance du système doivent être réalisés durant l'essai de mise à l'épreuve annuel en éteignant puis en rallumant l'instrument : L'IR<sub>max</sub> doit être soumis annuellement à une mise hors tension puis à une mise sous tension (en coupant l'alimentation 24 V c.c. puis en la rétablissant) dans le cadre du programme d'entretien du produit (se reporter également à la section 3.2).

## 8.8 Contraintes

Les taux de défaillance sont constants.

Un essai de mise à l'épreuve réalisé au moins une fois par an identifiera toutes les défaillances n'ayant pas été repérées.

Les réparations ont une durée moyenne des réparations de 8 heures.

On suppose que l'utilisateur se sert de cette fonction de diagnostic via l'accessoire d'affichage IR et/ou l'interface PC afin de minimiser le temps d'arrêt potentiel du produit.

L'évaluation de fiabilité est un processus statistique d'application d'informations relatives à des défaillances précédentes à des conceptions et configurations proposées. Elle fournit par conséquent une cible/estimation crédible de la fiabilité probable de l'équipement, en supposant que les conditions de fabrication, de conception et d'utilisation sont identiques à celles utilisées lorsque les informations ont été recueillies. Il s'agit d'une technique d'examen de conception précieuse qui permet de comparer des conceptions différentes, d'établir un ordre de grandeur, des cibles de rendement et d'évaluer les effets potentiels de changements apportés à la conception. Toutefois, les valeurs prévues effectives ne peuvent être garanties comme prévoyant le nombre précis de défaillances sur le terrain car ceci dépend de nombreux facteurs indépendants du contrôle d'une analyse prédictive.

Dans le cadre de cette prévision, on suppose que les taux de défaillances (symbole  $\lambda$ ) sont constants au fil du temps. Les défaillances précoces et liées à l'usure réduiraient la fiabilité mais l'on suppose que celles-ci sont supprimées respectivement par déverminage et par remplacement préventif.

Concernant la probabilité de défaillance à la demande, il est probable que le système soit en état de défaillance à un moment aléatoire. Ceci est synonyme de non disponibilité en régime établi, indiquée par :

$$\text{Non disponibilité} = (\lambda \times \text{MDT}) / (1 + (\lambda \times \text{MDT}))$$

qui correspond approximativement à  $\lambda \times \text{MDT}$  pour de petites valeurs de  $\lambda \times \text{MDT}$  où  $\lambda$  correspond au taux de défaillances et MDT au Temps d'arrêt moyen.

Ceci est cohérent avec l'expression liée à la Disponibilité, indiquée comme :  $\text{MTBF} / (\text{MTBF} + \text{MDT})$

Les taux de défaillance utilisés, et donc, les disponibilités dérivées sont celles associées de manière crédible à une conception éprouvée suite à une période adéquate de croissance de la fiabilité.

## 8.9 Questions environnementales

Contraintes environnementales :

Le produit sera utilisé selon une plage de températures ambiantes maximum de -40 °C à +75 °C.

Le produit sera stocké selon une plage de températures ambiantes maximum de -40 °C à +80 °C.

Le produit sera utilisé selon une plage d'humidité relative maximum de 0 % à +100 % Avec condensation

Ce produit a un indice de protection IP66 selon les définitions comprises dans la norme EN60529.

Ce produit est conçu en vue d'un fonctionnement continu.

## 8.10 Tolérance aux pannes du matériel

La tolérance aux pannes du matériel est de 0.

## 8.11 Capacité systématique

L'IREX/IRmax correspond à la Classe SC2.

## 8.12 Classification

L'IREX/IRmax est un composant de type B.

# Garantie

Cet équipement est testé et calibré entièrement lorsqu'il quitte l'usine. Si, au cours de la période de garantie de trois ans à compter de l'expédition, cet équipement s'avère défectueux en raison d'un défaut de fabrication ou de matériau, nous procéderons, à notre discrétion, à sa réparation ou à son remplacement gratuit, en fonction des conditions ci-dessous.

## Procédure de garantie

Pour faciliter le traitement efficace de toute réclamation, contacter notre équipe de support client au +44 (0)1235 557711 en fournissant les informations suivantes :

vos nom, votre numéro de téléphone, de télécopie et votre adresse de messagerie électronique.

Description et quantité d'articles renvoyés, y compris tout accessoire.

Numéro(s) de série d'instrument.

Motif du renvoi.

Obtenir un formulaire de renvoi aux fins d'identification et de traçabilité. Ce formulaire peut être téléchargé depuis notre site Internet [crowconsupport.com](http://crowconsupport.com), au même titre qu'une étiquette de renvoi. Nous pouvons également vous en faire parvenir une copie par messagerie électronique.

**Le détecteur IRmax ne sera pas accepté au titre de la garantie sans Numéro de retour Crowcon (NRC). Il importe impérativement que l'étiquette de l'adresse soit bien fixée à l'emballage extérieur des articles renvoyés.**

La garantie serait rendue non valide s'il s'avérait que l'instrument avait été modifié, démonté ou avait fait l'objet de toute intervention non autorisée. La garantie ne couvre pas une utilisation incorrecte ou abusive de l'appareil.

## Clause de non-garantie

**Crowcon** n'accepte aucune responsabilité pour toute perte ou dommage direct ou indirect, quel qu'en soit l'origine (y compris les pertes ou dommages découlant de l'utilisation de l'instrument) et toute responsabilité quant à un tiers est exclue expressément.

Cette garantie ne couvre pas la précision du calibrage de l'appareil ni la finition du produit. Cet appareil doit être entretenu conformément aux instructions de fonctionnement et de maintenance.

La garantie ou le remplacement d'articles consommables (tels que le miroir) fournis dans le cadre de la garantie en vue du remplacement d'articles défectueux, seront limités à la garantie non expirée de l'article fourni d'origine.

**Crowcon** se réserve le droit de déterminer une période de garantie, de réduire ou de refuser une période de garantie pour tout capteur fourni en vue d'une utilisation dans un environnement ou pour une application dont on sait qu'ils sont associés à un risque de dégradation ou de dommages du capteur.

Notre responsabilité concernant un équipement défectueux se limite aux obligations définies dans la garantie et toute garantie, condition ou déclaration prononcée, expresse ou implicite, statutaire ou autre quant à la qualité marchande de nos équipements ou de son usage pour quelque but que ce soit, sauf dans les limites imposées par les statuts. Cette garantie ne saurait affecter les droits légaux d'un client.

**Crowcon** se réserve le droit d'appliquer des frais de manutention et de transport lorsque des appareils renvoyés en raison d'une défaillance s'avèrent nécessiter un calibrage ou un entretien normal auquel le client se refuse ensuite à procéder.

Pour toute question concernant la garantie et le support technique, contacter :

### **L'équipe de support client**

**Tel: +44 (0) 1235 557711**

**Fax: +44 (0) 1235 557722**

**Email: [customersupport@crowcon.com](mailto:customersupport@crowcon.com)**



# Inhaltsverzeichnis

Konzept und Sicherheit .....	57
Beschreibung des <b>IRmax</b> -Detektors .....	57
Sicherheitsinformationen .....	58
Produktübersicht .....	59
1. Einleitung .....	60
1.1 Allgemeines .....	60
1.2 Produktbeschreibung .....	60
2. Installation .....	62
WARNHINWEIS .....	62
2.1 Standort .....	62
2.2 Montage .....	63
2.3 Direktverkabelung an <b>IRmax</b> -Detektor .....	63
2.3.1 Anschlussbezeichnung .....	64
2.3.2 Installation vom <b>IRmax</b> -Detektor mit einer Montagehalterung ..	64
2.4 Installation mit Doppelverschraubung und Hilfsverteilerkasten .....	65
2.4.1 Anbringen des <b>IRmax</b> -Detektors an einem Hilfsverteilerkasten:....	66
2.5 Anforderungen an die Verkabelung .....	66
2.6 Verbindungen und Einstellungen .....	67
3. Betrieb .....	68
3.1 Inbetriebnahmeverfahren .....	68
3.2 Routinewartung .....	69
3.3 Ändern der Gasart .....	69
3.4 Relatives Ansprechen auf Gasarten .....	70
4. Technische Daten .....	71
5. Zubehör und Ersatzteile .....	72
6. Fehlerbehebung .....	73
6.1 Von der LED angezeigte Fehler .....	73
6.2 Analogausgang .....	73
7. RS485-Modbuskonfiguration .....	74
7.1 Allgemeines .....	74
7.2 Verkabelungstopologie .....	75
7.2.1 Sternverbindung .....	75
7.2.2 Lineare Busverbindung .....	75
7.3 Anforderungen an die Verkabelung .....	76
7.3.1 Berechnung der erforderlichen Mindestleistung .....	76
7.3.2 Beispielberechnung .....	76

8. Handbuch für funktionale Sicherheit .....	77
8.1 Einführung .....	77
8.2 IRmax und IRmax Modbus Sicherheitsfunktion .....	77
8.3 Daten zur funktionalen Sicherheit .....	77
8.4 Hardwarekonfiguration .....	78
8.5 Softwarekonfiguration .....	78
8.6 Systematische Ausfälle .....	78
8.7 Diagnoseintervall.....	78
8.8 Beschränkungen .....	78
8.9 Umgebungsbedingungen .....	79
8.10 Hardwarefehlertoleranz.....	79
8.11 Systematische Eignung.....	79
8.12 Klassifizierung .....	79
Garantie.....	80



## Beschreibung des IRmax-Detektors

Der **IRmax**-Detektor ist ein ultrakompakter Infrarot (IR)-Gasdetektor, der zur schnellen, ausfallsicheren Detektion von Kohlenwasserstoffgasen und -dämpfen dient.

Der **IRmax**-Detektor ist mit Doppel-Wellenlängen-IR-Sensortechnologie in einem robusten Stahlgehäuse aus 316 Edelstahl ausgestattet und für den Betrieb unter härtesten Bedingungen ausgelegt. Im Gegensatz zu herkömmlichen IR-Gasdetektoren enthält der **IRmax**-Detektor keine Heizgeräte, um Kondensation auf Fenstern und Spiegeln zu verhindern. Die STAY CLIR-Beschichtung der optischen Komponenten verhindert die Kondensationsbildung während des Detektorbetriebs.

Der **IRmax**-Detektor ist mit jedem 4-20mA-Steuersystem kompatibel und kann außerdem in ein über Modbus adressierbares RS485-Netzwerk eingebaut werden (siehe Abschnitt 7).

Der **IRmax**-Detektor benötigt nur 1 Watt Leistung, was einem Stromverbrauch von typischerweise 75-90% weniger als bei herkömmlichen IR-Gasdetektoren entspricht.

Der **IRmax**-Detektor ist mit einer kompakten Diffusionsgaskammer ausgestattet, die in Kombination mit einer wirkungsvollen wetterfesten Kappe eine ausgezeichnete Reaktionsgeschwindigkeit bietet. Die wetterfeste Kappe ist mit Hilfe von Strömungsmodellierungssoftware entworfen worden, um die Ferngasbeaufschlagung und -kalibrierung des **IRmax**-Detektors ohne besondere Kalibrierungskappe zu ermöglichen.

Das **IR Display** ermöglicht die Überwachung von Messwerten vom **IRmax** sowohl lokal als auch in Fernabfrage. Ein **IR Display** kann direkt am **IRmax** montiert werden. Alternativ kann **IRmax** mit einem montierten eigensicheren (IS) Barrieremodul geliefert werden. Ein **IR Display** kann dann über ein temporäres oder permanentes Kabel an das eigensichere Barrieremodul angeschlossen werden. Die verfügbaren Optionen sind in Diagramm 3 auf Seite 61 dargestellt.

Weitere Informationen über anderes Zubehör für den **IRmax** siehe Diagramm 3 auf Seite 61 und Abschnitt 5, Seite 72.

## Sicherheitsinformationen

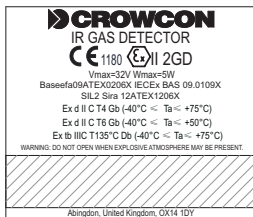
- **IRmax**-Gasdetektoren müssen unter strenger Befolgung dieser Anweisungen, Warnhinweise, Etikettinformationen und innerhalb der angegebenen Grenzwerte installiert, betrieben und gewartet werden.
- Die rückwärtige Mutter am **IRmax**-Detektor muss während des Betriebs fest geschlossen bleiben. Versuchen Sie nicht, die rückwärtige Mutter zu entfernen, bevor die Stromversorgung zum **IRmax**-Detektor abgetrennt worden ist, ansonsten kann eine Zündung einer entflammaren Atmosphäre auftreten. Prüfen Sie vor dem Abnehmen der Mutter zu Wartung, Kalibrierung oder Servicearbeiten, dass die Umgebungsatmosphäre frei von entflammaren Gasen oder Dämpfen ist. Lösen Sie die Mutter erst mehrere Minuten nach dem Abtrennen der Stromversorgung.
- Wartungs- und Kalibrierungsarbeiten dürfen nur von qualifiziertem Kundendienstpersonal durchgeführt werden.
- Es dürfen nur Original **Crowcon** Ersatzteile verwendet werden. Andere Komponenten können die Zertifizierung und Garantie des **IRmax**-Detektors ungültig machen.
- **IRmax**-Detektoren müssen vor starker Vibration und direktem Sonnenlicht in heißen Umgebungen geschützt werden, da dies dazu führen könnte, dass die Temperatur des **IRmax**-Detektors über die angegebenen Grenzwerte steigt und zu einem frühzeitigen Versagen führt.
- Der **IRmax**-Detektor weist weder Wasserstoff, Ammoniak noch Kohlendioxid nach.
- Die Anlage muss mit der Kabelbuchse und dem stahlbewehrten Kabel geerdet werden.
- Zertifizierung für staubexplosionsgefährdete Atmosphären der Zone 21/22: IRmax basic (ohne IR Display oder IS Barrieremodul) kann in Bereichen eingesetzt werden, die explosionsgefährdete Stäube enthalten können (Zone 21 oder 22).
- IRmax mit einem IS Barrieremodul kann in Zone 21 oder 22 eingesetzt werden, sofern die Umgebungstemperatur unter 40 °C bleibt und ein Fernbedienungs-IR Display oder Hand-IR Display nur außerhalb des explosionsgefährdeten Bereichs montiert/eingesetzt wird.
- IRmax mit einem stationären IR Display kann nicht in einem Bereich der Zone 21 oder 22 montiert werden.

## Produktübersicht

Der **IRmax**-Detektor ist ein Infrarot-Gasdetektor, der zur Detektion von üblichen Kohlenwasserstoffgasen im Bereich von 0 bis 100% UEG (Untere Explosionsgrenze: die Mindestkonzentration in Luft, bei der eine Zündung auftreten kann) bestimmt ist.

Der **IRmax**-Detektor ist ein zugelassener flammensicherer (Exd) Detektor, der zur Verwendung in Gefahrenbereichen der ATEX Zone 1 oder Zone 2 geeignet ist. Zur Identifikation des Zulassungstyps, der sich auf das gelieferte Produkt bezieht, siehe Zulassungsetikett an der Seite des **IRmax**-Detektors.

**Hinweis: Wenn der IRmax-Detektor kein Zulassungsetikett hat, ist der Detektor nicht zur Verwendung in Gefahrenbereichen zugelassen.**



Zertifizierungsschild *IRmax* Basic



Zertifizierungsschild *IRmax* mit IS Barriere



Zertifizierungsschild *IRmax* mit stationärem IR Display



Zur Verwendung in Brasilien zertifizierte Detektoren



Diagramm 1: *IRmax*-Detektor-Zertifizierungsetiketten

# 1. Einleitung

## 1.1 Allgemeines

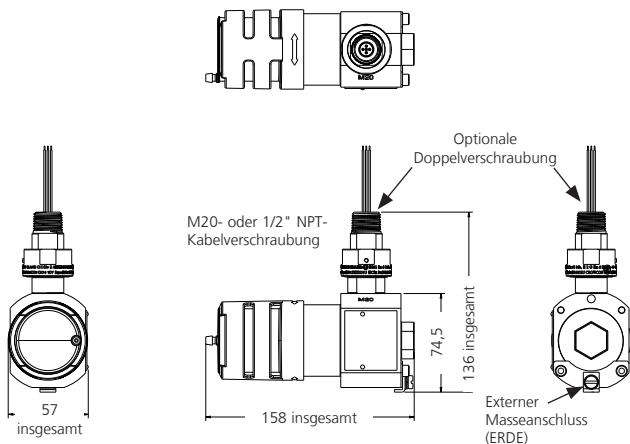
Die Konfiguration jedes **IRmax**-Detektors wird durch ein Etikett angegeben, das am Hauptgehäuse angebracht ist. Bitte geben Sie den Produktnamen, die Teilenummer und die Seriennummer an, wenn Sie sich für Hilfestellung oder Ersatzteile an **Crowcon** wenden.

## 1.2 Produktbeschreibung

Der **IRmax**-Detektor besteht aus einem Gehäuse aus Edelstahl 316, einer antistatischen wetterfesten Abdeckung über der Optik und einer Gasmessungskammer und einer Elektronikbaugruppe. Ein **IR Display**-Modul kann ebenfalls enthalten sein. Anleitung für den Einbau des **IR Display** sind im **IR Display** Handbuch (M07061) enthalten.

Es kann eine optionale Doppelverschraubung mit entweder M20- oder 1/2" NPT-Kabeleingang geliefert werden, um den **IRmax**-Detektor direkt an Hilfsverteilerkasten mit entweder M20- oder 1/2" NPT-Kabeleingängen anzuschließen.

Deutsch



Alle Abmessungen in Millimetern

Diagramm 2: *IRmax*-Detektor – bemessene Ansicht

**Hinweis:** Das Gehäuse des **IRmax**-Detektors wird mit zwei Kabeleingängen geliefert – einem M20- und einem 1/2" NPT-Eingang. Der bei der Bestellung eines **IRmax**-Detektors nicht angegebene Kabeleingang wird mit Hilfe eines zertifizierten Stopfens versiegelt. Der **IRmax** muss mit beiden Kabeleinführungen abgedichtet montiert werden: eine mit einer Kabelverschraubung, die andere mit einem zertifizierten IP66-Verschlussstopfen.

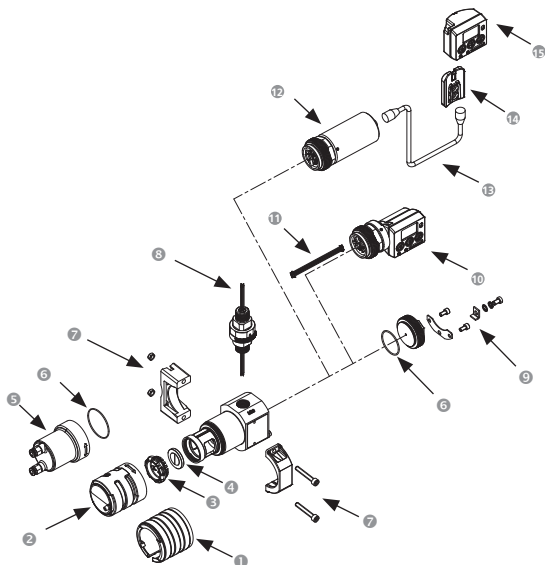


Diagramm 3: IRmax-Detektor – Explosionszeichnung (Teilenummer abgebildet, soweit zutreffend)

- ① Kalibrierungskappe M041007
- ② Wetterfeste Kappe M04995
- ③ Spiegelhalter } Zusammen als „Spiegellersatz-Kit“ geliefert
- ④ Spiegel } C011206
- ⑤ Strömungsadapter S012996
- ⑥ O-Ring für Gegenmutter, **IS Barrierenmodul** oder stationäres **IR Displaymodul**: M040077
- ⑦ Montagehalterung als Komplettbaugruppe S012130
- ⑧ M20- oder 1/2" NPT-Versionen der Doppelverschraubung: M20 ATEX: S012147, 1/2" NPT ATEX: S012190
- ⑨ Halblech und Schrauben für hinteren Stopfen, stationäres **IR Display** und **IS Barrierenmodul**.
- ⑩ **IR Display**-Festversion
- ⑪ **IR Display**-an-**IRmax**-Detektor-Steckverbinder E07987
- ⑫ **IS**-Barrierenmodul
- ⑬ **IR Display**-Anschlusskabel
- ⑭ **Fernbedienungs-IR Display**-Montagebuchse M03833
- ⑮ **Fernbedienungs-IR Display**

# 2. Installation

## WARNHINWEIS

- Der IRmax-Detektor ist zur Verwendung in Gefahrenbereichen der Zone 1 und Zone 2 bestimmt. Die Zulassung hängt von dem eingebauten Zubehör und der Umgebungsbetriebstemperatur ab. Einzelheiten zur Zulassung entnehmen Sie bitte der Spezifikationstabelle auf Seite 71. Die Installation muss gemäß der anerkannten Standards der zuständigen Aufsichtsbehörde in dem jeweiligen Land erfolgen.
- Weitere Informationen erhalten Sie von Crowcon. Vor der Ausführung aller Installationsarbeiten müssen Sie gewährleisten, dass die lokalen Bestimmungen und Standortverfahren eingehalten werden.
- Die Anlage muss mit der Kabelbuchse und dem stahlbewehrten Kabel geerdet werden.
- Versuchen Sie nicht, ein IR Display an einem IRmax-Detektor anzubringen, der nicht für diesen Zweck geliefert worden ist. Zur Verwendung mit einem Display gelieferte Detektoren sind mit „Exd ia“ zertifiziert und müssen entweder mit einem festen Display, das eine IS-Barriere enthält, oder mit einem Fernbedienungs- oder Handgerät-Display betrieben werden, das über ein Crowcon IS-Barrieremodul angeschlossen ist.
- Ohne ein Display gelieferte Detektoren sind mit „Exd IIC“ zertifiziert und können nicht zur Verwendung mit einem IR Display nachgerüstet werden.

## 2.1 Standort

Der IRmax-Detektor muss dort montiert werden, wo das zu detektierende Gas am ehesten vorhanden ist. Die folgenden Punkte müssen bei der Anbringung von Gasdetektoren berücksichtigt werden:

- Für die Detektion von Gasen, die leichter als Luft sind, wie zum Beispiel Methan, müssen Detektoren hoch über dem Boden angebracht werden. Für die Detektion von Gasen, die schwerer als Luft sind, wie zum Beispiel entflammbare Dämpfe, müssen Detektoren niedrig über dem Boden angebracht werden.
- Bedenken Sie beim Anbringen von Detektoren die möglichen Beschädigungen durch Naturereignisse, zum Beispiel Regen oder Überschwemmungen. Bei der Außenanbringung von Detektoren in sehr heißen Gebieten empfiehlt **Crowcon** den Einsatz eines Sonnenschutzes (siehe Abschnitt 5, Zubehör und Ersatzteile, auf Seite 72).
- Achten Sie darauf, dass die Detektoren für Funktionsprüfungen und Servicearbeiten leicht zugänglich sind.
- Überlegen Sie, wie sich das entweichende Gas aufgrund von natürlichen oder erzwungenen Luftströmungen verhält. Bringen Sie gegebenenfalls Detektoren in Entlüftungsschächten an (mit Hilfe des IRmax-Detektor-Kanaleinbauadapters (siehe Abschnitt 5, Zubehör und Ersatzteile, auf Seite 72)).
- Berücksichtigen Sie die Prozessbedingungen. Butan ist zum Beispiel normalerweise schwerer als Luft, wenn es jedoch aus einem Prozess entweicht, der bei erhöhter Temperatur bzw. erhöhtem Druck abläuft, kann das Gas aufsteigen, anstatt absinken.

Die Platzierung von Sensoren muss mit Hilfe der Ratschläge von Experten erfolgen, die ein Spezialwissen über Gasverteilung und die Werksprozessenanlagen sowie Sicherheits- und technische Fragen besitzen. Die Vereinbarung bezüglich der Standorte von Sensoren muss aufgezeichnet werden.

## 2.2 Montage

Der **IRmax**-Detektor kann auf drei verschiedene Weisen montiert werden:

1. Mit der **Crowcon** Montagehalterung mit direktem Kabelanschluss (nur für Betrieb von 4-20mA).
2. Mit einer Doppelverschraubung zum Anschluss an einen vorhandenen zugelassenen Exe- oder Exd-Verteilerkasten. **Crowcon** liefert eine geeignete Kabelstopfbüchse als optionales Extra (siehe 3 unten)
3. Mit dem optionalen **Crowcon** Hilfsverteilerkasten und einer Doppelverschraubung.

Optionalteile sind in Abschnitt 5 auf Seite 72 aufgeführt.

Der **IRmax**-Detektor muss an dem vorgegebenen Standort mit der Sensortrommel horizontal +/- 15° installiert werden (Orientierung auf Diagramm 2 auf Seite 60 abgebildet). Dadurch ist gewährleistet, dass sich weder Staub noch Wasser auf den optischen Komponenten sammeln.

## 2.3 Direktverkabelung an IRmax-Detektor

Diese Option ist nur für den Betrieb mit 4-20 mA geeignet. Es ist eine **Crowcon** Montagehalterung erforderlich, um den **IRmax** an einer Wand oder an einem 2" (50 mm)-Rohr anzubringen..

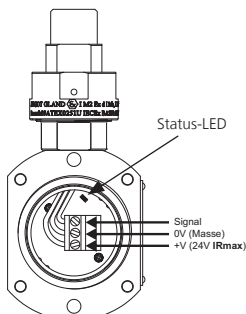
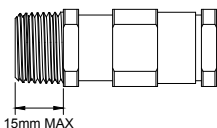


Diagramm 4: Kabelanschlüsse beim *IRmax*

Schließen Sie die Kabel mit einer zertifizierten Verschraubung über den gewählten Kabeleingang am Gehäuse des **IRmax**-Detektors an (M20 oder 1/2" NPT). **Crowcon** empfiehlt, Verschraubungen nach unten zeigend einzubauen.



Achten Sie darauf, Kabelverschraubungen mit geeigneter Exd-Zulassung zu verwenden, und dass die Gewindelänge das in dem Diagramm angegebene Maß nicht überschreitet (links).

## 2. Installation

### 2.3.1 Anschlussbezeichnung

Mit dem **IRmax** wie in Diagramm 2 auf Seite 60 ausgerichtet (M20 Kabel-Eingang oben) muss das dreiadrige Kabel mit Hilfe des abnehmbaren Steckverbinders wie folgt abgeschlossen werden:

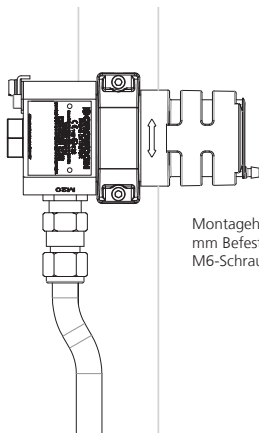
+24V unten, 0V in der Mitte, Signal oben.

Der 6-Stift-Steckverbinder auf der rechten Seite der Leiterplatte ist für Servicearbeiten und/oder Anschluss eines **IR Display**-Moduls bestimmt.

Plus-Anschluss:	Plus-Versorgung von der Steuerkarte
Signal-Anschluss:	Signal von der Steuerkarte
0V-Anschluss	Minus-Versorgung von der Steuerkarte

### 2.3.2 Installation vom IRmax-Detektor mit einer Montagehalterung

- IRmax** kann mit einer Montagehalterung (S012130) anstatt einer Doppelverschraubung geliefert werden, damit das Gerät direkt an die Kabel angeschlossen werden kann (siehe Diagramm 5).



Montagehalterung: 70  
mm Befestigungsabstand.  
M6-Schrauben verwenden.

Diagramm 5: *IRmax*-Detektor mit Montagehalterung und Verschraubung

- Wenn der **IRmax**-Detektor auf einer flachen Oberfläche montiert werden soll, markieren und bohren Sie zwei Löcher mit Hilfe der Montagehalterung als Schablone. Befestigen Sie zwei Teile der Halterung lose mit für die Wand bzw. Oberfläche geeigneten Befestigungsmitteln.
- Entfernen Sie die wetterfeste Kappe vom **IRmax** und schieben Sie das Gehäuse des **IRmax** durch die Halterung. Es wird empfohlen, das Gehäuse des **IRmax**-Detektors mit dem Kabeleingang nach unten zeigend einzubauen.



- d. Befestigen Sie die zwei Halterungen, so dass der **IRmax**-Detektor fest an seinem Platz gehalten wird. Setzen Sie die wetterfeste Kappe wieder auf.
- e. Sobald der **IRmax**-Detektor sicher angebracht worden ist, nehmen Sie die rückwärtige Mutter des **IRmax**-Detektors ab, um den Zugang zu den Kabelanschlüssen zu ermöglichen.
- f. Bereiten Sie das Kabel vor. **Crowcon** empfiehlt ein stahldrahtbewehrtes (SWA) 1,5 mm<sup>2</sup>-Kabel (andere Kabeltypen können unter der Voraussetzung verwendet werden, dass sie mit Exd-zugelassenen Verschraubungen kompatibel sind). Bringen Sie eine geeignete zugelassene Exd-Kabelverschraubung an, führen Sie die Kabelleiter durch das Gehäuse des **IRmax**-Detektors und schrauben Sie die Kabelverschraubung ein. Befestigen Sie die Verschraubung und gewährleisten Sie, dass der Kabelmantel an der Kabelverschraubung und dem **IRmax**-Detektor-Gehäuse geerdet ist. **Hinweis:** Vergessen Sie nicht, die rückwärtige Mutter nach dem Einbau des Kabels wieder anzubringen.
- g. Das Halblech (Pos. 9 in Diagramm 3, Seite 61) muss sicher montiert werden, um jede Gefahr, dass sich die hintere Mutter (oder Zubehörteil für stationäres IR Display oder IS Barrieremodul) durch Vibrationen lockert, zu vermeiden.

### 2.4 Installation mit Doppelverschraubung und Hilfsverteilerkasten

Diese Option ist erforderlich, wenn der **IRmax**-Detektor an einen vorhandenen zugelassenen Exe- oder Exd-Hilfsverteilerkasten angeschlossen werden soll.

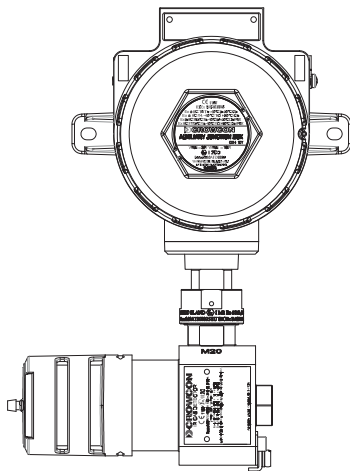


Diagramm 6: *IRmax*-Detektor am Verteilerkasten angeschlossen

## 2. Installation

### 2.4.1 Anbringen des IRmax-Detektors an einem Hilfsverteilerkasten:

- Nehmen Sie vorsichtig den äußeren Bereich der Doppelverschraubung ab (Punkt 8 in Diagramm 3 auf Seite 61).
- Schrauben Sie das schmale Ende der Doppelverschraubung in den Hilfsverteilerkasten.
- Heben Sie den **IRmax**-Detektor auf Höhe des Hilfsverteilerkastens und führen Sie die Kabel durch die Baugruppe und in den Hilfsverteilerkasten. Befestigen Sie den **IRmax**-Detektor durch festes Anschrauben des Kragens an die Kabelverschraubung. Ziehen Sie die Madenschraube an.
- Das Hauptgehäuse des **IRmax**-Detektors kann (vorausgesetzt, es ist mechanisch sicher befestigt, stört keine andere Anlagen und ist zur Wartung zugänglich) horizontal in beliebigem Winkel geschwenkt werden.
- Anleitung zur Verkabelung siehe Abschnitt 2.6. Siehe auch Diagramm 4 auf Seite 63.

## 2.5 Anforderungen an die Verkabelung

Die Verkabelung des **IRmax**-Detektors muss gemäß der anerkannten Standards der zuständigen Aufsichtsbehörde in dem jeweiligen Land erfolgen und den elektrischen Anforderungen des **IRmax**-Detektors entsprechen.

**Crowcon** empfiehlt die Verwendung von stahldrahtbewehrtem Kabel (SWA). Außerdem müssen geeignete explosionsichere Verschraubungen verwendet werden. Alternative Verkabelungsmethoden wie Stahlpanzerrohr, können zulässig sein, wenn die entsprechenden Normen erfüllt werden.

Die maximale empfohlene Kabellänge beträgt 3,4 km (siehe Tabelle 1).

Der **IRmax**-Detektor benötigt eine Gleichstromversorgung von 12-30 V DC. Achten Sie darauf, dass mindestens 12 V am **IRmax**-Detektor von der Steuerkonsole anliegen und berücksichtigen Sie dabei den Spannungsabfall aufgrund des Kabelwiderstands bei einer Spitzenstromstärke von 0,1 A.

Ein 1,5 mm<sup>2</sup> ermöglicht typischerweise Kabellängen von bis zu 3,0 km. Tabelle 1 unten zeigt die maximalen Kabelentfernungen bei typischen Kabelparametern.

Querschnitt	Widerstand	Max. Entfernung >20 V	Max. Entfernung 18 bis 20 V
mm <sup>2</sup>	(Ohm pro km)	(km)	(km)
1,0	18,4	2,2	1,6
1,5	13,0	3,0	2,3
2,5	11,5	3,4	2,6

Tabelle 1: Maximale Kabelentfernung für typische Kabel

## 2.6 Verbindungen und Einstellungen

Alle beschriebenen Verbindungen beziehen sich auf den Anschlussblock, der im Hauptgehäuse des **IRmax**-Detektor-Steckverbinders montiert ist. Die Anschlüsse der **IRmax**-Detektor-Steckverbinder-Leiterplatte sind mit „+“, „sig“ und „0 V“ gekennzeichnet. Beim Anschluss des **IRmax**-Detektors an die Steueranlage muss auf die korrekte Polarität geachtet werden.

Der **IRmax**-Detektor ist werkseitig als „stromziehendes“ Gerät eingestellt, wenn dies bei der Bestellung nicht anderweitig angegeben wird. Um den **IRmax**-Detektor wieder auf „Stromquelle“ zurückzustellen, entfernen Sie die Rückplatte und setzen die beiden Verbindungsleiter an der Anschlussleiterplatte von der Position „Sink“ (Senke) auf „Source“ (Quelle), wie in Diagramm 7 dargestellt.

**Hinweis:** Der externe Masseanschluss darf nur dort benutzt werden, wo lokale Behörden eine derartige Verbindung zulassen oder verlangen. Soweit möglich müssen Hilfsverteilerkasten und Kabelmantel zur Vermeidung von Hochfrequenzstörungen an der Steuerkonsole (sicherer Bereich) geerdet werden, um Erdfehlerschleifen zu verhindern.

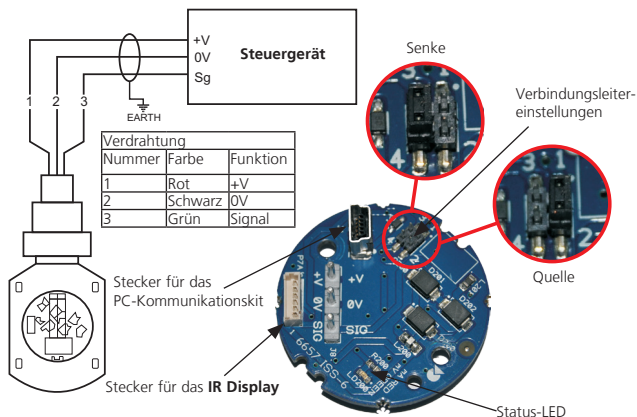


Diagramm 7: Lage der Senke-/Quelle-Verbindungsleiter

Das 4-20 mA-Signal kann mit den in Diagramm 7 abgebildeten Stiften und Verbindungsleitern auf Strom-„Senke“ oder -„Quelle“ eingestellt werden. Durch Anbringen der Leitungsbrücke zwischen Stiften 3 und 4 wie im linken Foto gezeigt auf Strom-„Sink“ setzen. Durch Anbringen der Leitungsbrücke zwischen Stiften 1 und 2 wie im rechten Foto gezeigt auf Strom-„Source“ setzen. **IRmax**-Detektoren sind auf Strom-„Senke“ eingestellt, wenn dies nicht bei Bestellung anderweitig angegeben wird.

**LED-Anzeige:** In die Anschlussleiterplatte ist eine LED eingebaut, um den aktuellen Betriebszustand anzuzeigen. Weitere Informationen siehe Abschnitt 6 auf Seite 73.

# 3. Betrieb

## WARNHINWEIS

Vor der Ausführung aller Arbeiten müssen Sie gewährleisten, dass die lokalen Bestimmungen und Standortverfahren eingehalten werden. Versuchen Sie niemals, den IRmax-Detektor oder Hilfsverteilerkasten bei Vorhandensein entflammbarer Gase zu öffnen. Gewährleisten Sie, dass die zugehörige Steuerkonsole gesperrt ist, um falschen Alarm zu verhindern.

### 3.1 Inbetriebnahmeverfahren

1. Prüfen Sie, dass
  - a. die Kabelverbindungen korrekt sind
  - b. die Versorgungsspannung an der Steuerkarte auf 18 bis 30 V eingestellt ist. Die an den IRmax-Detektor-Anschlüssen gemessene Spannung (innerhalb des Exe-Hilfsverteilerkastens, falls verwendet, oder an der IRmax-Detektor-Anschlussleiterplatte) muss auf 12 bis 30 V eingestellt werden.
  - c. die Verbindungsleiter sind auf 4-20 mA-Senke oder -Quelle (je nach Steuerkarte) eingestellt.
2. Sobald das Gerät hochgefahren worden ist, lassen Sie es 30 Minuten stehen, bevor Sie eine Nullstellung bzw. Kalibrierung versuchen. Diese Verzögerung dient zur Sicherstellung der thermischen Stabilität. (**Hinweis: Der IRmax-Detektor ist 30 Sekunden nach dem Einschalten vollständig betriebsbereit.**)
3. Stellen Sie sicher, dass saubere Luft vorliegt (d.h. kein Kohlenwasserstoffgas), bevor Sie die Nullstellung vornehmen. Nullen Sie den Messwert an der Steuerkarte (siehe Anleitung der Steuerkarte).
4. Setzen Sie die Kalibrierungskappe über die wetterfeste Abdeckung, um die Messkammer von der Umgebungsluft zu isolieren. Eine derartige Kappe ist bei Crowcon erhältlich (M041007). Schließen Sie das Kalibrierungsgas (50% UEG-Nennwert) an und beaufschlagen Sie einen Durchfluss von 1 Liter pro Minute.
5. Stellen Sie nach 30 Sekunden auf der Steuerkarte Kal/Span ein, so dass auf dem Display 50% LEL (50% UEG) erscheint oder der Anzeigewert der beaufschlagten Kalibrierungsgaskonzentration entspricht. Der IRmax-Detektor selbst benötigt keine Kalibrierung.
6. Entfernen Sie die Gas und Kalibrierungskappe. Überprüfen Sie die Nullstellung erneut.
7. Bei der Installation oder nach dem Austauschen des Spiegels kann der Detektor entweder mit Hilfe eines IR Display-Zubehörs (siehe Seite 57) oder über eine PC-Kommunikationskit auf Null gestellt und kalibriert werden. (siehe IRmax Zubehöhrhandbuch).

**Hinweis: IRmax-Detektoren mit ATEX-Zulassung werden kalibriert nach EN61779 geliefert (zum Beispiel 100% UEG Methan = 4,4 % Vol.).**

**Hinweis: Es wird empfohlen, die Kalibrierungskappe für die erste Inbetriebnahme einzusetzen. Anschließende Kalibrierungen können durchgeführt werden, indem Gas mit der wetterfesten Kappe im Fernbetrieb über den Anschlussnippel beaufschlagt wird (und daher die Notwendigkeit des direkten Zugangs zum IRmax-Detektor entfällt). Kalibrierung ohne Kalibrierungskappe (d.h. direkt über die wetterfeste Kappe kann durchgeführt werden, wenn die lokale Windgeschwindigkeit weniger als 2 Meter/Sekunde beträgt. Der Gasdurchfluss muss größer als 2,0 Liter/Minute sein.**

## 3.2 Routinewartung

Die Frequenz, mit welcher die **IRmax**-Detektoren geprüft werden, wird von den am Standort üblichen Praktiken vorgeschrieben. **Crowcon** empfiehlt eine Gasprüfung des **IRmax**-Detektors und gegebenenfalls eine Neukalibrierung mindestens alle 6 Monate. Zur Neukalibrierung eines **IRmax**-Detektors befolgen Sie die Schritte in Abschnitt 3.1.

Im Fall eines elektronischen Versagens wenden Sie sich bitte an Ihren lokalen **Crowcon**-Vertreter.

Kalibrierungsintervall:	<b>Crowcon</b> empfiehlt, alle 12 Monate zu kalibrieren.
Fernkalibrierung über Rohr:	Windgeschwindigkeit muss weniger als 2,0 Meter pro Sekunde betragen. Falls die Windgeschwindigkeit höher ist, verwenden Sie die Kalibrierungskappe, um eine Gasverdünnung zu verhindern.
Reinigung der Optik:	<b>Wird nicht empfohlen</b> , es sei denn, der <b>IRmax</b> -Detektor zeigt einen Verdeckungsfehler. Wenn das Fenster oder der Spiegel verschmutzt sind, reinigen Sie sie sorgfältig mit Wasser (siehe Abschnitt 5, Zubehör und Ersatzteile, auf Seite 72.).
Spiegel:	Bei Beschädigung wenden Sie sich für den Ersatz an <b>Crowcon</b> . (siehe Abschnitt 5, Zubehör und Ersatzteile, auf Seite 72.). Der <b>IRmax</b> -Detektor muss nach jedem Spiegelersatz neu auf Null gestellt und wieder kalibriert werden.  Falls Kondensation beginnt, zu Fehlern zu führen, ersetzen Sie den Spiegel (es kann sein, dass die optische Beschichtung beschädigt ist). <b>Crowcon</b> empfiehlt, den Spiegel alle 5 Jahre zu erneuern.

## 3.3 Ändern der Gasart

Jeder **IRmax**-Detektor wird für einen bestimmten Gastyp vorkalibriert geliefert (zum Beispiel Methan oder Propan). Wenn eine Neukalibrierung für einen anderen Gastyp erforderlich ist, kann der **IRmax** mit dem PC-Kommunikationskit (siehe Abschnitt 5, Zubehör und Ersatzteile, auf Seite 72.), neu konfiguriert und dann kalibriert werden.

## 3. Betrieb

### 3.4 Relatives Ansprechen auf Gasarten

Der unten abgebildete Graph zeigt das relative Ansprechen auf andere Gastypen für einen auf Methan kalibrierten **IRmax**-Detektor.

*Hinweis: Viele Kohlenwasserstoffgase und -dämpfe werden von IR-Detektoren einfacher als Methan gemessen. Die Reaktion des IRmax (und anderer IR-Gasdetektoren) ist linear über den Bereich 0-100% UEG für das Zielgas (d. h. in diesem Beispiel Methan), jedoch nicht linear für andere Kohlenwasserstoffe, die vorhanden sein könnten.*

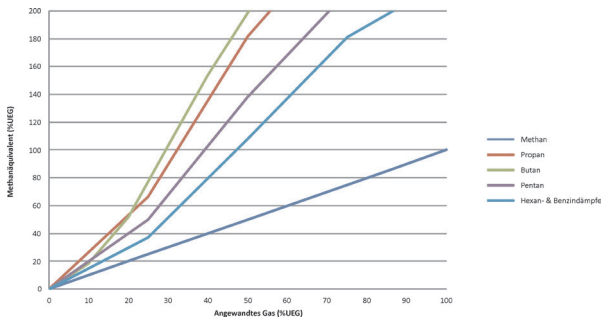



Diagramm 8

Das Diagramm zeigt das Ansprechen auf die oben erwähnten Gase: von links nach rechts, Ethan, Propan, Butan, Pentan und Methan.

Andere Gasarten und -bereiche sind verfügbar. Weitere Einzelheiten erhalten Sie von **Crowcon**.

## 4. Technische Daten

Gehäusematerial	Edelstahl 316
Abmessungen (nur <b>IRmax</b> -Detektor)	150 mm x 75 mm x 66 mm (ohne Zapfen)
Gewicht	<b>IRmax</b> 1,58 kg <b>IRmax</b> mit permanentem <b>IR Display</b> 2 kg <b>IRmax</b> mit IS-Barrieremodul 2,4 kg <b>Fern-IR Display</b> 0,2 k
Betriebsspannung	12 VDC bis 30 VDC
Stromverbrauch	< 1 W
Ausgang	3-adrig 4-20 mA (Senke oder Quelle)
Fehlersignal	<1 mA
Max. Kabelschleifenwiderstand	80 Ohm (bezogen auf -ve-Klemme)
Betriebstemperatur	-40°C bis +75°C (-40°F bis +167°F)
Luftfeuchtigkeit	0–100% relative Luftfeuchtigkeit
Schutzklasse	IP66
Explosionsschutz	Flammensicher
Zulassungscode ATEX 	<b>IRmax</b> -Detektor (ohne <b>IR Display</b> ) II 2 GD Exd IIC T6 Gb Tamb = -40°C bis +50°C II 2 GD Exd IIC T4 Gb Tamb = -40°C bis +75°C II 2 GD Ex tb IIIC T135°C Db (-40°C ≤ Ta ≤ +75°C) <b>IRmax</b> mit <b>IS Barrieremodul</b> (Fernbedienungsdisplay) II 2 GD Exd ia IIC T4 Gb Tamb = -40°C bis +75°C Ex tb ia IIIC T135°C Db Tamb = -40°C bis +40°C <b>IRmax</b> mit stationärem <b>IR Display</b> II 2 G Exd ia IIC T4 Gb (Tamb = -40°C bis +75°C)
Sicherheitszertifikat Nr. ATEX und IECEx	<b>IRmax</b> -Detektor (ohne <b>IR Display</b> ): Baseefa 09ATEX0206X und IECEx BAS.09.0109X <b>IRmax</b> -Detektor (mit <b>IR Display</b> ): Baseefa 09ATEX0220X und IECEx BAS.09.0104X
Funktionale Sicherheit	Zum Einsatz in einem SIL-2-System zertifiziert. Zertifikatnummer: Sira 12ATEX1206X
Normen	EN60079-0:2006, EN60079-1:2004, EN60079-29-1: 2007, EN61779 IEC61508: 2010, EN50402: 2005
Zonen	Für die Verwendung in Zone 1 oder Zone 2 zugelassen
EMC	EN50270

## 5. Zubehör und Ersatzteile

Teilenummer	Name	Beschreibung
M041007	Kalibrierungskappe	Passt über die wetterfeste Standardkappe, um die Kalibrierung zu ermöglichen, wenn die lokale Luftgeschwindigkeit mehr als 2 Meter pro Sekunde beträgt.
S012130	Montagehalterungs-Kit	Ermöglicht die Montage an einer Wand oder einem 2" (50 mm)-Rohr. Nicht erforderlich, falls der <b>IRmax</b> -Detektor an einem vorhandenen Verteilerkasten angebracht wird.
S012152	Sonnenschutz/ Kollektorkegel	Kann am <b>IRmax</b> -Detektor angebracht werden, um das Gerät vor erhöhten Temperaturen durch direkte Sonneneinstrahlung zu schützen und/oder den Empfangsbereich des Detektors für den Nachweis von Gasen zu erweitern, die leichter als Luft sind (Methan).
S012169	Kanaleinbauadapter	Ermöglicht die Überwachung von Kanälen mit einer Größe von 300 mm bis 3000 mm und einer Luftgeschwindigkeit von 2 m/s bis 20 m/s.
S012996	Strömungsadapter	Für Gasprobenentnahmeanwendungen.
S012827	PC-Kommunikationskit	Kommunikationsmodul, Software und Kabel für die Konfiguration des <b>IRmax</b> -Detektors.
M20: S012295 ½" NPT: S012296	Hilfsverteilerkasten	Montageoption für <b>IRmax</b> zur Verwendung in Gefahrenbereichen.
C011210	Spiegelreinigungs-Kit	Enthält mit Isopropanol imprägnierte Wischtücher und Mikrofasertuch

### IRmax-Detektor-Ersatzteile

Einzelheiten zu Ersatzteilen siehe Diagramm 3 auf Seite 61.



# 6. Fehlerbehebung

## 6.1 Von der LED angezeigte Fehler

Die an der Terminalplatine montierte LED kann bei der Identifikation von Fehlern helfen. Ihre Position ist auf Diagramm 7 auf Seite 67 dargestellt. Die Tabelle unten zeigt, wie interpretiert wird, welchen Fehler jedes Blinkmuster angibt.

LED-Muster	IRmax-Detektor-Status	Maßnahme
Blinkt regelmäßig einmal pro Sekunde.	Intakt.	
Leuchtet durchgehend mit kurzen Unterbrechungen.	IRmax-Detektor im Hochfahrmodus.	10 Sekunden warten.
Schnelles Blinken oder unregelmäßiges Blinkmuster.	Versorgungsspannung zu niedrig oder zu hoch.	Stellen Sie sicher, dass die Versorgungsspannung des IRmax-Detektors richtig eingestellt ist. Gewährleisten Sie, dass die Messung direkt an den IRmax-Detektor-Anschlüssen erfolgt.
Leuchtet dauerhaft.	Fehler, Host- oder I-Modul-Fehler.	Schalten Sie den IRmax-Detektor aus und wieder ein. Falls der Fehler immer noch vorliegt, senden Sie das Gerät an <b>Crowcon</b> ein.
Zweimaliges langes Blinken gefolgt von einem kurzen Blinken.	Fataler Fehler, Leuchten- oder Detektorfehler.	Senden Sie das Gerät an <b>Crowcon</b> zurück.
Schnelles Doppelblinken jede Sekunde.	Fataler Fehler, Modul- oder Konfigurationsfehler.	Prüfen Sie die Detektorkonfiguration mit Hilfe der PC-Kommunikationskit-Software. Prüfen Sie die Stromversorgung. Falls der Fehler immer noch vorliegt, senden Sie das Gerät an <b>Crowcon</b> .
Blinkt einmal pro Sekunde kurz auf.	Optik verschmutzt.	Fenster und Spiegel prüfen und gegebenenfalls reinigen. Detektor erneut auf Null stellen und Kalibrierung prüfen.

Alle anderen Fehler können nur korrigiert werden, indem der IRmax-Detektor an **Crowcon** oder einen autorisierten Kundendienstvertreter eingeschickt wird.

## 6.2 Analogausgang

IRmax wird im Fehlerstatus bleiben und es wird außerdem „Service erforderlich“ (Service required) auf dem IR Display (falls vorhanden) angezeigt, wenn das Analogausgang-Signal ausgefallen oder nicht mit einem Steuersystem oder Lastwiderstand verbunden ist. IRmax überwacht das 4-20 mA-Analogausgang-Signal aktiv, um sicherzustellen, dass es sich im zulässigen Bereich befindet. Wenn das Signal außerhalb des Bereichs liegt, geht der Detektor in den Fehlerzustand über und der Ausgang wird auf 1 mA gestellt. Daher ist es beim Testen eines Detektors wesentlich, dass er entweder mit einer Steuerkonsole verbunden wird oder ein 100  $\Omega$ -Lastwiderstand zwischen den „0 V“ und „Sig“-Anschlüssen (Detektor auf Modus „Quelle“ gestellt) oder zwischen den „0 V“ und „+V“-Anschlüssen (Detektor auf Modus „Senke“ gestellt) angeschlossen wird.

# 7. RS485-Modbuskonfiguration

## 7.1 Allgemeines

Dieser Abschnitt erklärt, wie **IRmax**-Detektoren in einer Modbus-Konfiguration verwendet werden. Für solche Anwendungen ist eine RS485-Version erhältlich. Es können bis zu 28 Detektoren in einer Stern- oder Bus-Konfiguration wie unten beschrieben miteinander verbunden werden.

Der Anschluss an die RS465-Version des **IRmax**-Detektors muss über eine Doppelverschraubung an einen Hilfsverteilerkasten erfolgen (siehe Abschnitt 5 auf Seite 72.), anstatt über Direktverkabelung in den **IRmax**-Detektor.

Bitte beachten Sie, dass das **IR Display** nicht mit dem RS485-**IRmax** benutzt werden kann.

Die RS-485-Version des **IRmax**-Detektors hat fünf Feldanschlüsse. Die Anschlüsse sind:

1	Positive Versorgung	12 V bis 30 V über 0 V
2	0 V	Rückleitung und RS-485-Referenz
3	4-20 mA-Signal	Quellen- oder Senkensignal (optional)
4	RS485 B	RS485-Differenzialsignal
5	RS485 A	RS485-Differenzialsignal

Die Signale an den RS-485-Anschlüssen entsprechen der EIA/TIA-485-Norm, die besagt, dass der Gleichtaktbereich bezüglich des 0V-Anschlusses von -7V bis +12V reicht.

Beachten Sie, dass sich nicht alle RS-485-Hersteller über die Polarität der A- und B-Signale einig sind. Wenn die Verkabelung nicht auf die eine Weise funktioniert, müssen die Anwender die RS-485-A- und -B-Kabel vertauschen. Es besteht kein Risiko darin, eine falsche Verbindung herzustellen.

Die Kommunikationseinstellungen sind 9600 bps, zwei Stopp-Bits und keine Parität.

Wenn eine Schnittstelle für ein Steuersystem kompiliert wird, ist es wesentlich, die Zeitspanne zu berücksichtigen, die das System benötigt, um nacheinander Informationen von jedem Detektor zu sammeln. Die schnellste Geschwindigkeit, mit der mehrere Detektoren zyklisch abgefragt werden können, beträgt 14 Detektoren pro Sekunde. Unter praktischen Umständen kann sich dieser Wert auf 7 Detektoren pro Sekunde reduzieren. Anwender müssen gewährleisten, dass die Anordnung erlaubt, dass Alarmsignale innerhalb zulässiger Zeitgrenzen registriert werden.

Es ist außerdem wichtig sicherzustellen, dass das System ausreichend Leistung bereitstellen kann, damit alle Detektoren funktionieren können. Zur Berechnung der erforderlichen Leistung bei einer linearen Busverbindung, siehe Abschnitt 7.3, **Anforderungen an die Verkabelung**, auf Seite 76.

Die vollständige Modbus-Anleitung erhalten Sie von **Crowcon** (siehe Anschrift auf der Rückseite).

## 7.2 Verkabelungstopologie

Zwei häufig verwendete Verkabelungstopologien sind die Sternverbindung und der lineare Bus.

### 7.2.1 Sternverbindung

Bei einer Sternverbindungstopologie sind alle **IRmax**-Detektoren mit einem zentralen Punkt verkabelt, der normalerweise die Steuerkonsole ist. Es sind keine Kabel erforderlich, um mehr als 5 Kerne zu haben, da alle 4-20 mA-Signalverbindungen direkt zur Steuerkonsole geführt werden.

Die RS-485-A- und -B-Signale können dann alle im Sternpunkt miteinander verbunden werden. Der Bus muss anschließend im Sternpunkt mit einem einzelnen 110 Ohm-Abschlusswiderstand beendet werden.

Die Länge jedes Sternarms darf 750 Meter nicht überschreiten.

### 7.2.2 Lineare Busverbindung

Bei einer Busverbindungstopologie sind alle **IRmax**-Detektoren in einer linearen Anordnung verkabelt, normalerweise mit der Steuerkonsole an einem Ende. Eine klassische Situation ist eine Tunnelinstallation mit Detektoren, mit **IRmax** in regelmäßigen Abständen montiert (siehe Diagramm 9 unten).

Zur Verkabelung der Installation müssen zwei 110 Ohm-Abschlusswiderstände an jedem physikalischen Ende des Busses angebracht werden.

Da die 4-20 mA-Signale nicht gemeinsam genutzt werden können, ist an jedem Verkabelungs-Hop ein zusätzlicher Leiter erforderlich. Falls keines der 4-20 mA-Signale verwendet wird, sind nur vier Leiter erforderlich.

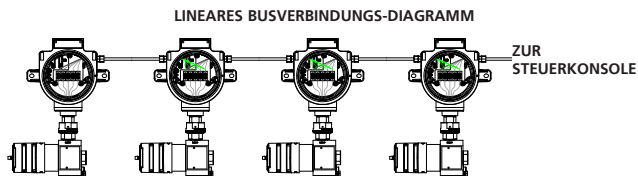


Diagramm 9

# 7. RS485 Modbus configuration

## 7.3 Anforderungen an die Verkabelung

### 7.3.1 Berechnung der erforderlichen Mindestleistung

Je mehr **IRmax**-Detektoren an einen linearen Bus angeschlossen werden, um so mehr Leistung ist für den Betrieb des Systems erforderlich. Zur Berechnung der für eine bestimmte Anordnung erforderlich Leistung muss der Kabelwiderstand zwischen jedem **IRmax**-Detektor-Paar bekannt sein. Für jeden „Hop“ zwischen den **IRmax**-Detektoren muss eine Stromstärke von mindestens 0,1 mA erlaubt sein. Die anzulegende Spannung kann durch Schätzung des Spannungsabfalls über jeden „Hop“ berechnete werden. Am Ende müssen mindestens 12 V übrig bleiben, um zu gewährleisten, dass der letzte **IRmax**-Detektor korrekt funktioniert.

Ratschläge in speziellen Fällen erhalten Sie bei **Crowcon**. Alternativ befolgen Sie die unten beschriebenen Schritte und die Beispielberechnung im nächsten Abschnitt.

1. Die Spannung darf nicht unter 12 V fallen. Deshalb beginnen Sie die Berechnung, indem Sie die Spannung am letzten **IRmax**-Detektor in der Reihe auf diesen Wert setzen.
2. Jeder **IRmax**-Detektor darf bis zu 0,1 A ziehen. Berechnen Sie den Kabelspannungsverlust des ersten „Hop“ zwischen den **IRmax**-Detektoren, indem Sie die „akkumulierte Stromstärke“ als 0,1 A annehmen und diesen Wert mit dem Kabelwiderstand des „Hop“ zwischen dem letzten und vorletzten Detektor multiplizieren
3. Addieren Sie diesen Spannungsverlust zu den anfänglichen 12 V, um die niedrigste zulässige Spannung am vorletzten **IRmax**-Detektor zu erhalten. Addieren Sie 0,1 A zu dem Wert für die „akkumulierte Stromstärke“, um 0,2 mA zu erhalten, die Mindeststromstärke, die durch den vorletzten „Hop“ des Busses laufen muss. Multiplizieren Sie diesen Wert mit dem Kabelwiderstand für den vorletzten „Hop“, um den nächsten Spannungsabfall zu erhalten.
4. Wiederholen Sie diesen Vorgang für jeden Detektor und addieren Sie die Spannungsverluste, die zwischen jedem Detektorpaar auftreten werden.
5. Die maximale Detektorspannung von 30 V darf nicht überschritten werden.

### 7.3.2 Beispielberechnung

Als Beispiel folgen die Ergebnisse der Berechnung für sechs **IRmax**-Detektoren in gleichem Abstand von 250 m und mit einem Kabel einer Querschnittsfläche von 1 mm<sup>2</sup> verbunden. Jeder „Hop“ hat einen Widerstand von 4,6 Ohm.

Station	Versorgungs-spannung	Versorgungs-stromstärke
1	12	0,1 A
2	12,46	0,2 A
3	13,38	0,3 A
4	14,76	0,4 A
5	16,6	0,5 A
6	18,9	0,6 A
Konsolen-versorgung	21,66	0,6 A

# 8. Handbuch für funktionale Sicherheit

## 8.1 Einführung

Die folgenden Abschnitte enthalten genauere Angaben zu der Zertifizierung des IRmax gemäß den Normen für funktionale Sicherheit IEC 61508 und EN 50402. Informationen werden zu den Funktionen, die im Sicherheitsfall berücksichtigt werden, zu Wartungsanforderungen und Daten gegeben, um die Integration des IRmax in ein sicherheitstechnisches System (SIS) zu ermöglichen.

## 8.2 IRmax und IRmax Modbus Sicherheitsfunktion

Messung der Konzentration eines brennbaren Gases und Anzeige der Messung über einen 4-20-mA-Ausgang.

Fehler im Hinblick auf die Sicherheitsfunktion werden von der Hardware und zugehöriger Firmware erkannt. Sie werden als Ausgangssignal unter 3,6 mA oder über 21 mA gezeigt.

## 8.3 Daten zur funktionalen Sicherheit

Parameterbezeichnung	Symbol	Gleichung/Quelle	IRmax
Intervall von Wiederholungsprüfungen	T1	Nach Festlegung von Crowcon.	8.760 Stunden (jährlich)
Mittlere Reparaturzeit MTTR	MTTR	Nach Festlegung von Crowcon.	8 Stunden
Typ A/B	Typ A	Nach Festlegung von Crowcon.	Typ B
Gesamtausfälle:	$\lambda$	Aus FMEDA	1.04E-05
Entdeckte ungefährliche Ausfälle:	$\lambda_{SD}$	Aus FMEDA	1.95E-08
Unentdeckte ungefährliche Ausfälle:	$\lambda_{SU}$	Aus FMEDA	8.59E-08
Entdeckte gefahrbringende Ausfälle:	$\lambda_{DD}$	Aus FMEDA	9.74E-06
Unentdeckte gefahrbringende Ausfälle:	$\lambda_{DU}$	Aus FMEDA	5.06E-07
Ungefährliche Ausfälle:	$\lambda_{NE}$	Aus FMEDA	3.21E-09
Diagnosedeckungsgrad:	DC	$\lambda_{DD} / (\lambda_{DU} + \lambda_{DD})$	95.06%
Anteil ungefährlicher Ausfälle (SFF):	SFF	$(\lambda_{SD} + \lambda_{SU} + \lambda_{DD}) / \lambda$	95.11%
Kanaläquivalente Ausfallzeit	$t_{CE}$	$(\lambda_{DU} / \lambda_D)(T/2 + MTTR) + (\lambda_{DD} / \lambda_D) MTTR$	2.24E+02
PFDAVG (anhand Gleichung aus 61508-6)	$PFD_{AVG}$	$(\lambda_{DU} + \lambda_{DD}) t_{CE}$	2.30E-03
PFDAVG (anhand vereinfachter Gleichung)	$PFD_{AVG}$	$\lambda_{DU} (T / 2 + MTTR) + (\lambda_{DD} MTTR)$	2.30E-03
PFDAVG (anhand Gleichung aus IEC 61508-6)	$PFD_{AVG}$	$1 - e^{-(\lambda_{DD} + \lambda_{DU}) t_{CE}}$	2.30E-03
SIL (Betriebsart mit niedriger Anforderungsrate)			<b>SIL2</b>
SIL (Betriebsart mit hoher Anforderungsrate)			<b>SIL2</b>

**Bei Anwendungen mit niedriger Anforderungsrate** sind im Hinblick auf zufällige Hardwarefehler und den Anteil ungefährlicher Ausfälle alle Varianten des Systems für den Einsatz in SIL-2-Anwendungen geeignet.

## 8.4 Hardwarekonfiguration

Weg 1H (Hardwarefehler toleranz und Anteil ungefährlicher Ausfälle) wurde zur Beurteilung des Safety Integrity Level der Hardware verwendet.

## 8.5 Softwarekonfiguration

Die Beurteilung der Produktfirmware erfolgte gemäß den Anforderungen aus IEC 61508:3 2010.

## 8.6 Systematische Ausfälle

Weg 1S (laut Festlegung in IEC 61508:2 2010 Absatz 7.4.2.2c) wird zur Prüfung der Einhaltung der Anforderungen zur Vermeidung systematischer Ausfälle verwendet.

## 8.7 Diagnoseintervall

Die meisten Diagnosefunktionen werden kontinuierlich überwacht.

Tests des System-Watchdog sind während der jährlichen Wiederholungsprüfung durch Aus- und Einschalten des Geräts durchzuführen. IRmax muss als Teil des Wartungsprogramms für das Produkt jährlich aus- und eingeschaltet werden (d. h. die 24-Vdc-Versorgung trennen und wieder anlegen) (siehe auch Abschnitt 3.2).

## 8.8 Beschränkungen

Ausfallraten sind konstant.

Eine Wiederholungsprüfung, die mindestens einmal pro Jahr durchgeführt wird, identifiziert alle nicht gefundenen Fehler.

Reparaturen haben eine mittlere Reparaturzeit von 8 Stunden.

Es wird davon ausgegangen, dass der Benutzer die Diagnosefunktion nutzt, die über das IR Display-Zubehör und/oder die PC-Schnittstelle bereitgestellt wird, um die mögliche Ausfallzeit des Produkts zu minimieren.

Die Zuverlässigkeitsbeurteilung ist ein statistischer Prozess zur Anwendung historischer Ausfalldaten auf geplante Konstruktionen und Konfigurationen. Es bietet daher einen voraussichtlichen Soll-/Schätzwert der wahrscheinlichen Zuverlässigkeit von Geräten unter der Annahme, dass Herstellungs-, Konstruktions- und Betriebsbedingungen identisch mit denen sind, unter denen die Daten erfasst wurden. Es ist ein wertvolles Verfahren der Konstruktionsüberprüfung zum Vergleich alternativer Konstruktionen, zur Ermittlung von Leistungszielen im Hinblick auf die Größenordnung und zur Auswertung der möglichen Einflüsse von Konstruktionsänderungen. Die tatsächlich vorhergesagten Werte können jedoch nicht garantiert werden, da die Prognose der genauen Zahl von Ausfällen im Feld, die auftreten werden, nicht möglich ist, da dies von Faktoren abhängt, die außerhalb der Kontrolle einer prädiktiven Prüfung liegen.

Ausfallraten (Symbol  $\lambda$ ) werden zum Zwecke dieser Vorhersage als im Zeitverlauf konstant angenommen. Sowohl frühzeitige Ausfälle als auch verschleißbezogene Ausfälle senken die Zuverlässigkeit, es wird jedoch davon ausgegangen, dass sie durch Burn-in bzw. vorbeugenden Austausch vermieden werden.

Die Wahrscheinlichkeit eines Ausfalls im Anforderungsfall PFD ist die Wahrscheinlichkeit, dass das System in einem zufälligen Moment einen Fehlerzustand aufweist. Dies ist synonym mit der stationären Nichtverfügbarkeit. Diese wird gegeben durch:

$$\text{Nichtverfügbarkeit} = (\lambda \times \text{MDT}) / (1 + (\lambda \times \text{MDT}))$$

die bei kleinen Werten von  $\lambda \times \text{MDT}$  ungefähr gleich  $\lambda \times \text{MDT}$  ist

wobei  $\lambda$  die Ausfallrate und MDT die mittlere Ausfallzeit ist.

Dies stimmt mit dem Ausdruck für Verfügbarkeit überein. Diese wird gegeben als:  $\text{MTBF}/(\text{MTBF}+\text{MDT})$

Die verwendeten Ausfallraten und die so abgeleiteten Verfügbarkeiten sind die Werte, die zuverlässig nach einer geeigneten Zeitdauer mit Zuverlässigkeitswachstum mit einer bewährten Konstruktion verbunden sind.

## 8.9 Umgebungsbedingungen

Umgebungsbeschränkungen:

Das Produkt darf in einem maximalen Umgebungstemperaturbereich von -40 °C bis +75 °C betrieben werden.

Das Produkt darf in einem maximalen Umgebungstemperaturbereich von -40 °C bis +80 °C gelagert werden.

Das Produkt darf in einem maximalen relativen Luftfeuchtigkeitsbereich der Umgebung von 0 % bis +100 % bei Kondensation betrieben werden.

Das Produkt besitzt gemäß den Festlegungen der Norm EN 60529 eine Schutzart von IP66.

Das Produkt ist für Dauerbetrieb ausgelegt.

## 8.10 Hardwarefehlertoleranz

Die HFT ist 0.

## 8.11 Systematische Eignung

Der IREX/IRmax hat Klasse SC2.

## 8.12 Klassifizierung

Der IREX/IRmax ist ein Typ-B-Gerät.

# Garantie

Dieses Gerät hat unser Werk vollständig geprüft und kalibriert verlassen. Wenn innerhalb der Garantiezeit von drei Jahren nach Versand nachgewiesen wird, dass das Gerät aufgrund von fehlerhafter Ausführung oder fehlerhaftem Material defekt ist, reparieren oder ersetzen wir das Gerät nach unserem Ermessen kostenlos unter den unten genannten Bedingungen.

## Garantieverfahren

Um die effiziente Verarbeitung aller Ansprüche zu erleichtern, kontaktieren Sie bitte unser Kundendienstteam unter der Telefonnummer +44 (0)1235 557711 mit den folgenden Informationen:

Name, Telefonnummer, Faxnummer und E-Mail-Adresse Ihres Kontakts.

Beschreibung und Menge der zurückgesendeten Waren einschließlich allen Zubehörs.

Seriennummer(n) der Geräte.

Grund für die Rücksendung.

Besorgen Sie sich ein Rücksendeformular zu Identifikations- und Nachverfolgbarkeitszwecken. Dieses Formular kann von unserer Website [crowconsupport.com](http://crowconsupport.com) zusammen mit einem Rücksendetikett heruntergeladen werden. Alternativ können wir Ihnen eine Kopie per E-Mail zusenden.

**Es werden nur IRmax-Detektoren mit einer Crowcon Rücksendenummer (CRN) zur Garantie angenommen. Es ist wesentlich, dass das Anschriftsetikett sicher an der Außenverpackung der zurückgesendeten Waren befestigt wird.**

Die Garantie erlischt, wenn das Gerät verändert, modifiziert, zerlegt worden ist oder anderweitige unbefugte Eingriffe vorgenommen worden sind. Die Garantie beinhaltet weder falsche Benutzung noch Missbrauch des Geräts.

## Garantiausschluss

**Crowcon** übernimmt keine Haftung für Folgeschäden oder indirekte Verluste oder Schäden aus beliebigem Grund (einschließlich aller Verluste oder Schäden, die aus der Benutzung des Geräts entstehen) und es wird ausdrücklich jegliche Haftung bezüglich dritter Parteien ausgeschlossen.

Diese Garantie bezieht sich nicht auf die Genauigkeit der Kalibrierung des Geräts oder das kosmetische Aussehen des Produkts. Das Gerät muss in Übereinstimmung mit den Betriebs- und Wartungsanweisungen unterhalten und gewartet werden.

Die Garantie über den Ersatz von Verbrauchsmaterialien (wie dem Spiegel), die im Rahmen der Garantie für den Ersatz fehlerhafter Artikel geliefert werden, ist auf die nicht abgelaufene Garantie des Originalartikels beschränkt.

**Crowcon** behält sich das Recht vor, eine reduzierte Garantiezeit festzulegen oder eine Garantiezeit für alle Sensoren abzulehnen, die zur Verwendung in einer Umgebung oder für eine Anwendung geliefert worden sind, die bekanntermaßen ein Risiko der Verschlechterung oder Beschädigung des Sensors beinhaltet.

Unsere Haftung bezüglich defekter Anlagen beschränkt sich auf die in der Garantie enthaltenen Verpflichtungen und alle erweiterten Garantien, Bedingungen oder Erklärungen, ausdrücklich oder implizit, gesetzlich vorgeschrieben oder sonstiger Art bezüglich der marktüblichen Qualität unserer Anlage oder ihrer Eignung für einen bestimmten Zweck sind (ausgenommen wie gesetzlich vorgeschrieben) ausgeschlossen. Diese Garantie beeinträchtigt nicht die gesetzlichen Rechte eines Kunden.



**Crowcon** behält sich das Recht vor, eine Bearbeitungs- und Frachtgebühr zu berechnen, wenn als fehlerhaft eingesendete Geräte nur eine normale Kalibrierung oder einen Kundendienst erfordern, deren Durchführung der Kunde dann ablehnt.

Bei Fragen zur Garantie und technischem Support wenden Sie sich bitte an:

## **Kundendienst**

**Tel: +44 (0) 1235 557711**

**Fax: +44 (0) 1235 557722**

**Email: [customersupport@crowcon.com](mailto:customersupport@crowcon.com)**



# Índice

Concepto y seguridad .....	85
Concepto de detector <b>IRmax</b> .....	85
Información de seguridad.....	86
Descripción del producto.....	87
1. Introducción .....	88
1.1 General.....	88
1.2 Descripción del producto.....	88
2. Instalación .....	90
ADVERTENCIA.....	90
2.1 Ubicación .....	90
2.2 Montaje .....	91
2.3 Cableado directo al detector <b>IRmax</b> .....	91
2.3.1 Designación de terminal.....	92
2.3.2 Instalación del detector <b>IRmax</b> utilizando un soporte de montaje ..	92
2.4 Instalación utilizando un pasacables de espiga y una caja de conexiones auxiliar .....	93
2.4.1 Para instalar el detector <b>IRmax</b> en una caja de conexiones auxiliar: .....	94
2.5 Requisitos de cableado .....	94
2.6 Conexiones y ajustes .....	95
3. Funcionamiento.....	96
3.1 Procedimiento de puesta en servicio .....	96
3.2 Mantenimiento rutinario .....	97
3.3 Cambio de tipos de gas .....	97
3.4 Respuestas relativas de tipos de gas .....	98
4. Especificaciones.....	99
5. Accesorios y repuestos .....	100
6. Detección de errores .....	101
6.1 Errores indicados por LED.....	101
6.2 Salida analógica .....	101
7. Configuración de RS485 Modbus .....	102
7.1 General.....	102
7.2 Topología del cableado .....	103
7.2.1 Conexión en estrella .....	103
7.2.2 Conexión de bus lineal .....	103
7.3 Requisitos de cableado .....	104
7.3.1 Cálculo del nivel mínimo de potencia requerida.....	104
7.3.2 Cálculo de muestra .....	104

8. Manual de seguridad funcional .....	105
8.1 Prólogo .....	105
8.2 Función de seguridad del IRmax y del IRmax Modbus.....	105
8.3 Datos de seguridad funcional.....	105
8.4 Configuración de hardware.....	106
8.5 Configuración de software.....	106
8.6 Fallos sistemáticos .....	106
8.7 Intervalo de diagnósticos.....	106
8.8 Restricciones .....	106
8.9 Medio ambiente.....	107
8.10 Tolerancia de fallo de hardware .....	107
8.11 Capacidad sistemática.....	107
8.12 Clasificación .....	107
Garantía.....	108

## Concepto de detector IRmax

El detector **IRmax** es un detector de gases por infrarrojos (IR) ultracompacto que proporciona detección rápida y fiable de gases y vapores de hidrocarburos.

Incorporando tecnología de sensor por infrarrojos de longitud de onda doble en una resistente cubierta de acero inoxidable 316, el detector **IRmax** está diseñado para funcionar en las condiciones más duras. A diferencia de detectores de gas por infrarrojos convencionales, el detector **IRmax** no incorpora calentadores para prevenir la condensación en ventanas y espejos. El revestimiento STAY CLR de los componentes ópticos previene la formación de condensación mientras el detector está funcionando.

El detector **IRmax** es compatible con cualquier sistema de control de 4-20mA y también puede instalarse en una red direccionable Modbus RS485 (véase Sección 7).

El detector **IRmax** requiere sólo 1 W de potencia, típicamente 75-90% menos que los detectores de gas por infrarrojos convencionales.

El detector **IRmax** incorpora una cámara compacta de difusión de gas, que combinada con una eficaz tapa impermeable proporciona una velocidad de respuesta excelente. La tapa impermeable ha sido diseñada utilizando software de modelización de flujo para permitir la gasificación y calibración del detector sin necesidad de una tapa de calibración especial.

La **IR Display** permite monitorizar lecturas del **IRmax** tanto localmente como remotamente. Es posible instalar directamente una **IR Display** en el **IRmax**. De forma alternativa, la **IRmax** puede suministrarse con un módulo de barrera intrínsecamente segura (IS) instalado. Entonces una **IR Display** puede conectarse al módulo de barrera IS mediante un cableado temporal o permanente. Las opciones disponibles se ilustran en el Diagrama 3 en la página 89.

Para obtener información adicional sobre otros accesorios para el **IRmax**, véase la Diagrama 3, página 89 y la Sección 5, página 100.

## Información de seguridad

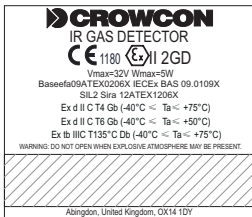
- Los detectores de gas **IRmax** deben instalarse, utilizarse y mantenerse siguiendo rigurosamente estas instrucciones, advertencias e información de etiquetas y dentro de los límites indicados.
- La tuerca trasera del detector **IRmax** debe mantenerse bien apretada durante su funcionamiento. No intente retirar la tuerca trasera hasta que se haya desconectado la corriente del detector - en caso contrario puede producirse el encendido de un entorno inflamable. Antes de retirar la tuerca para realizar mantenimiento, calibración o servicio, compruebe que en el entorno no hay gases o vapores inflamables. No lo abra hasta varios minutos después de que se haya desconectado la corriente.
- Las operaciones de mantenimiento y calibración sólo deben ser realizadas por personal de servicio cualificado.
- Sólo deben utilizarse piezas de repuesto auténticas de **Crowcon**; otros componentes pueden invalidar la certificación y la garantía del detector **IRmax**.
- Los detectores **IRmax** deben ser protegidos contra vibraciones extremas y los rayos directos del sol en entornos calientes ya que esto puede causar que la temperatura del detector **IRmax** supere los límites especificados y cause un fallo prematuro.
- El detector **IRmax** no detecta hidrógeno, amoníaco o dióxido de carbono.
- El equipo debe conectarse a tierra utilizando el pasacables y el cable blindado de acero.
- Certificación para entornos de polvo Zona 21/22: El IRmax básico (sin IR Display o su módulo de barrera IS) puede utilizarse en entornos que pueden contener polvos peligrosos (Zonas 21 ó 22).
- El IRmax con un módulo de barrera IS puede utilizarse en Zonas 21 ó 22 siempre y cuando la temperatura ambiente permanezca por debajo de 40°C y se instale/utilice una IR Display remota o varias IR Display manuales fuera del área peligrosa solamente.
- No puede instalarse un IRmax con una IR Display fija en un área de Zona 21 ó 22.

## Descripción del producto

El detector **IRmax** es un detector de gas por infrarrojos diseñado para detectar gases de hidrocarburos comunes dentro de la gama de 0 a 100% de LEL (Lower Explosive Limit - Límite explosivo inferior: la concentración mínima en aire a la que puede ocurrir inflamación).

El detector **IRmax** es un detector antideflagrante (Exd) certificado adecuado para utilizarse en zonas peligrosas Zona 1 ó Zona 2 ATEX . Consulte la etiqueta de certificación en el lateral del detector para identificar el tipo de certificación relacionada con el producto suministrado.

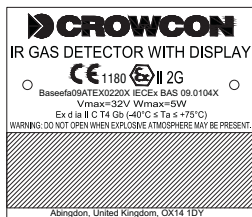
**Nota: Si el detector IRmax no incorpora una etiqueta de certificación, el detector no está certificado para uso en áreas peligrosas.**



Etiqueta de certificación de *IRmax* básico



*IRmax* con su etiqueta de certificación de barrera



*IRmax* con etiqueta de certificación de *IR Display fija*



Detectores certificados para uso en Brasil



Diagrama 1: Etiquetas de certificación del detector *IRmax*

# 1. Introducción

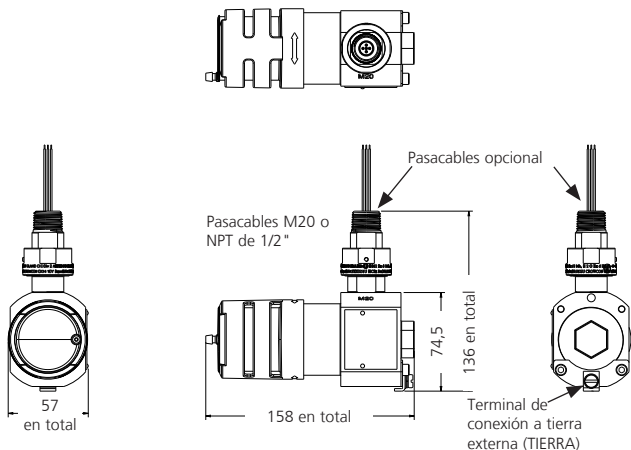
## 1.1 General

La configuración de cada **IRmax** se identifica por una etiqueta colocada en el cuerpo principal. Cuando contacte con **Crowcon** para obtener asesoría o repuestos, indique el nombre del producto, el número de pieza y el número de serie.

## 1.2 Descripción del producto

El detector **IRmax** comprende un cuerpo principal de acero inoxidable 316, una cubierta impermeable antiestática sobre la óptica y la cámara de medición de gas y un conjunto electrónico. También se le puede instalar un módulo **IR Display**. Las instrucciones para instalar la **IR Display** se muestran en el manual de la **IR Display** (M07061).

Puede suministrarse un pasacables de conexión opcional para permitir que el detector **IRmax** se instale directamente en cajas de conexiones auxiliares con entradas de cable M20 o NPT de 1/2".



Todas las dimensiones se expresan en milímetros

Diagrama 2: Vista dimensionada del detector *IRmax*

**Nota:** el cuerpo del detector *IRmax* se suministra con dos entradas de cable: una es M20, la otra NPT de 1/2". La entrada de cable no especificada cuando se pide un detector *IRmax* se sellará utilizando un tapón certificado. El *IRmax* debe instalarse con ambas entradas de cable selladas: una con un pasacables, la otra con un tapón certificado con nominal IP66.



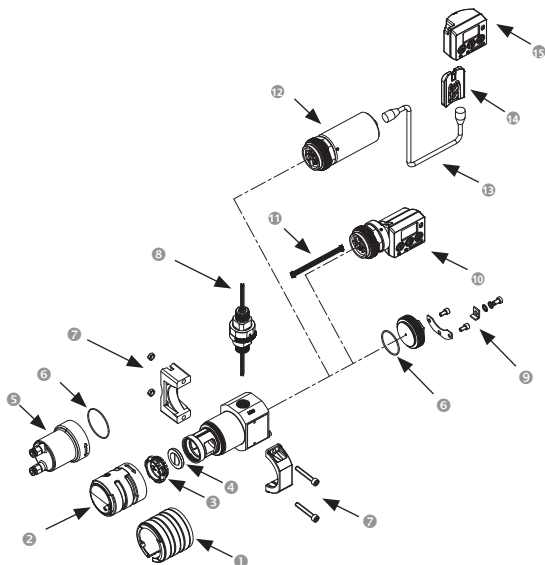


Diagrama 3: Despiece del detector *IRmax* (números de pieza mostrados si es aplicable)

- ① Tapa de calibración M041007
- ② Tapa impermeable M04995
- ③ Retenedor de espejo } Suministrados juntos como 'kit de repuesto de espejo'
- ④ Espejo } C011206
- ⑤ Adaptador de flujo S012996
- ⑥ Junta tórica para tuerca trasera, módulo de barrera IS o módulo de **IR Display fija**: M040077
- ⑦ Soporte de montaje como conjunto completo S012130
- ⑧ Pasacables versiones M20 o NPT de 1/2" : M20 ATEX: S012147, 1/2" NPT ATEX: S012190
- ⑨ Placa de retención y tornillos para tapón trasero, **IR Display fija** y módulo de barrera IS.
- ⑩ Versión fija de la **IR Display**
- ⑪ Conector de la **IR Display** al detector **IRmax** E07987
- ⑫ Módulo Barrera
- ⑬ Cable de conexión de la **IR Display**
- ⑭ Zócalo de montaje de la **IR Display remota** M03833
- ⑮ **IR Display remota**

## 2. Instalación

---

### ADVERTENCIA

- Este detector ha sido diseñado para utilizarse en áreas peligrosas de Zona 1 y Zona 2, la certificación depende de los accesorios instalados y la temperatura ambiente de funcionamiento. Para obtener los detalles de la certificación, consulte la tabla de especificaciones de la página 99. La instalación debe realizarse de acuerdo con las normas reconocidas de la autoridad apropiada del país en cuestión.
- Para obtener información adicional, contacte con Crowcon. Antes de realizar cualquier trabajo de instalación, asegúrese de que se sigan las normas y procedimientos locales.
- El equipo debe conectarse a tierra utilizando el pasacables y el cable blindado de acero.
- No intente instalar un Display IR a un detector no suministrado para ese fin. Los detectores suministrados para utilizarse con una pantalla están certificados según Exd ia, y deben utilizarse o bien con una pantalla gráfica que contenga una barrera IS o con una pantalla remota o manual conectada a través de un módulo de barrera IS de Crowcon.
- Los detectores IRmax suministrados sin pantalla están certificados según Exd IIC y no se puede instalar una IR Display.

### 2.1 Ubicación

El detector **IRmax** debe montarse en el lugar donde sea más probable que esté presente el gas a detectar. Al ubicar detectores de gas, deben observarse los puntos siguientes:

- Para detectar gases más ligeros que el aire, como el metano, los detectores deben montarse a un nivel alto. Para detectar gases más pesados que el aire, como vapores inflamables, los detectores deben montarse a un nivel bajo.
- Al ubicar detectores, debe considerarse el posible daño causado por eventos naturales, por ejemplo, lluvias o inundaciones. Para detectores montados en el exterior en regiones muy cálidas, **Crowcon** recomienda el uso de un toldo o parasol (véase la Sección 5, Accesorios y piezas de repuesto, en la página 100).
- Debe tenerse en cuenta facilitar el acceso para tareas de servicio y pruebas funcionales.
- Debe tenerse en cuenta cómo puede comportarse el gas que se escape debido a corrientes de aire naturales o forzadas. Monte los detectores **IRmax** en conductos de ventilación si es apropiado (utilizando el kit de montaje en conducto del detector **IRmax** (véase la Sección 5, Accesorios y piezas de repuesto, en la página 100).
- Deben considerarse las condiciones del proceso. Por ejemplo, normalmente el butano es más pesado que el aire pero si es emitido por un proceso a alta temperatura y/o presión, el gas puede subir en lugar de bajar.

El posicionamiento de los sensores debe determinarse después de recibir la asesoría de expertos con conocimientos especializados de la dispersión de gases, el equipo de procesamiento de la planta y cuestiones de seguridad e ingeniería. Debe registrarse el acuerdo respecto a las ubicaciones de los sensores.

## 2.2 Montaje

El detector **IRmax** puede montarse de tres formas:

1. Utilizando el soporte de montaje de **Crowcon** con la conexión de cable directa (funcionamiento de 4-20 mA solamente).
2. Utilizando un pasacables de espiga opcional para conexión a una caja de conexiones certificada según Exe o Exd. **Crowcon** suministra un pasacables de espiga adecuado como extra opcional (véase 3 a continuación)
3. Utilizando la caja de conexiones auxiliar y pasacables de espiga opcionales de **Crowcon**.

Se detallan piezas opcionales en la Sección 5, página 100.

El detector **IRmax** debe instalarse en el lugar asignado con el tubo sensor en posición horizontal +/- 15° (orientación mostrada en el Diagrama 2 de la página 88). Esto garantiza que no se acumule polvo o agua en los componentes ópticos.

## 2.3 Cableado directo al detector IRmax

Esta opción es adecuada para funcionamiento de 4-20 mA solamente. Se requiere un soporte de montaje de **Crowcon** para sujetar el detector a una pared o un tubo de 50 mm.

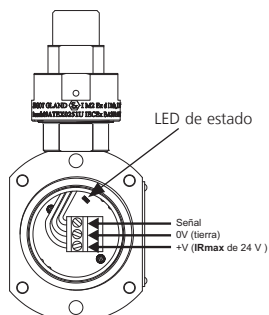
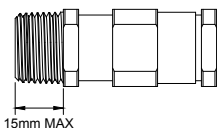


Diagrama 4: Conexiones de cable de campo en el *IRmax*

Conecte los cables utilizando un pasacables certificado a través de la entrada de cable escogida en el cuerpo del detector **IRmax** (M20 o NPT de 1/2"). **Crowcon** recomienda que los pasacables se instalen apuntando hacia abajo.



Asegúrese de que se utilicen pasacables con la certificación Exd apropiada y que la longitud de la rosca no exceda la longitud especificada en el diagrama (a la izquierda).

## 2. Instalación

### 2.3.1 Designación de terminal

Con el **IRmax** orientado de la forma mostrada en el Diagrama 2 de la página 3 (entrada de cable M20 en la parte superior), el cable de 3 conductores debe terminarse utilizando el conector removible, de la forma siguiente:

+24V en la parte inferior, 0V en el centro, Signal en la parte superior.

El conector de 6 patillas a la derecha de la PCB se utiliza para el servicio y/o conexión de un módulo **IR Display**

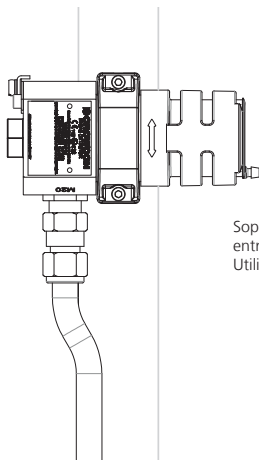
terminal +ve: suministro de +ve desde la tarjeta de control.

Terminal Sig: Señal/Detección desde tarjeta de control.

Terminal 0 V: Suministro de +ve desde la tarjeta de control.

### 2.3.2 Instalación del detector **IRmax** utilizando un soporte de montaje

- El **IRmax** puede suministrarse con un soporte de montaje (S012130) en lugar de un pasacables de espiga para que pueda conectarse directamente a los cables (véase el Diagrama 5).



Soporte de montaje: 70 mm  
entre centros de fijación.  
Utilice tornillos M6.

Diagrama 5: *IRmax* con un soporte de montaje y un pasacables

- Si el **IRmax** va a montarse en una superficie plana, marque y perforo dos agujeros utilizando el soporte de montaje como plantilla. Fije sin sujetarlas firmemente dos piezas del soporte utilizando elementos de fijación adecuados para la pared/superficie.
- Retire la tapa impermeable del **IRmax**, y deslice el cuerpo del detector a través del soporte. Se recomienda que el cuerpo del **IRmax** se instale con la entrada de cable encarada hacia abajo.

- d. Apriete los elementos de fijación del soporte de forma que el **IRmax** quede sujeto firmemente en posición. Vuelva a colocar la tapa impermeable.
- e. Cuando el **IRmax** esté firmemente sujeto en posición, retire la tuerca trasera del **IRmax** para permitir el acceso a los terminales del cable.
- f. Prepare el cable – **Crowcon** recomienda el cable SWA (Steel Wire Armoured - blindado de acero inoxidable) de 1,5 mm<sup>2</sup>. Pueden utilizarse otros tipos de cable siempre y cuando sean compatibles con pasacables certificados por Exd. Instale un pasacables certificado por Exd, pase los conductores de cable a través del cuerpo del **IRmax** y enrosque el pasacables. Sujete el pasacables y asegúrese de que el blindaje del cable esté conectado a tierra con el pasacables y el cuerpo del **IRmax**. **Nota:** No olvide volver a colocar la tuerca trasera después de instalar el cable.
- g. La placa de retención (pieza 9 en Diagrama 3, página 89) debe estar instalada de forma segura para prevenir cualquier riesgo de que la tuerca trasera (o **IR Display fija** o su accesorio de módulo de **barrera IS**) se afloje a causa de las vibraciones.

### 2.4 Instalación utilizando un pasacables de espiga y una caja de conexiones auxiliar

Se requiere esta opción si el **IRmax** va a conectarse a una caja de conexiones auxiliar existente certificada por Exd o Exe.

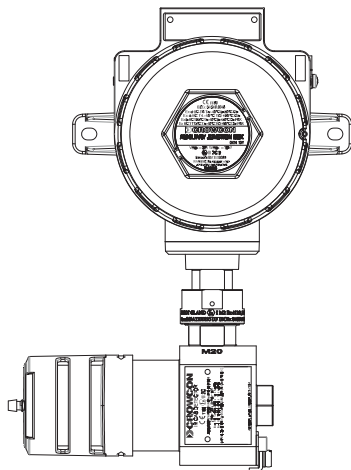


Diagrama 6: **IRmax** conectado a caja de conexiones auxiliar

## 2. Instalación

### 2.4.1 Para instalar el detector IRmax en una caja de conexiones auxiliar:

- Retire cuidadosamente la sección externa del pasacables de espiga (pieza 8 en Diagrama 3, página 89).
- Enrosque el extremo estrecho del pasacables de espiga en la caja de conexiones auxiliar.
- Levante el **IRmax** hasta la caja de conexiones auxiliar de detector y pase los cables a través del conjunto e introdúzcalos en la caja de conexiones auxiliar. Sujete el **IRmax** enroscando al máximo el collarín en el pasacables. Apriete el espárrago.
- El cuerpo principal del **IRmax** puede bascularse horizontalmente en cualquier ángulo, siempre que sea mecánicamente seguro, no interfiera con otro equipo y sea accesible para mantenimiento.
- Consulte la sección 2.6 para ver instrucciones sobre el cableado. Véase también el Diagrama 4 (página 91).

## 2.5 Requisitos de cableado

El cableado al **IRmax** debe realizarse de acuerdo con las normas reconocidas del organismo apropiado del país en cuestión y deben satisfacer los requisitos eléctricos del **IRmax**.

**Crowcon** recomienda el uso de cable blindado de acero inoxidable (SWA) y deben utilizarse pasacables a prueba de explosión adecuados. Pueden ser aceptables técnicas de cableado alternativas, como un conducto de acero, siempre y cuando se satisfagan las normas apropiadas.

La longitud de cable máxima recomendada es 3,4 km (véase la Tabla 1).

El **IRmax** requiere un suministro de 12-30 VCC. Asegúrese de que el **IRmax** reciba un mínimo de 12 V del panel de control, teniendo en cuenta la caída de tensión causada por la resistencia del cable a una corriente pico de 0,1A.

Un cable de 1,5 mm<sup>2</sup> permitirá típicamente tendidos de cable de hasta 3,0 km. La Tabla 1 siguiente muestra las distancias de cable máximas considerando parámetros de cable típicos.

Área de sección transversal	Resistencia	Distancia máx. >20 V	Distancia máx. 18 a 20 V
mm <sup>2</sup>	(Ohmios por km)	(km)	(km)
1,0	18,4	2,2	1,6
1,5	13,0	3,0	2,3
2,5	11,5	3,4	2,6

Tabla 1: distancias de cable máximas para cables típicos

## 2.6 Conexiones y ajustes

Todas las conexiones descritas se refieren al bloque terminal montado en el interior del cuerpo principal del conector del **IRmax**. Los terminales de la PCB del conector del **IRmax** están marcados '+', 'sig' y '0 V'. Cuando se conecta el **IRmax** a equipo de control debe observarse la polaridad correcta.

El **IRmax** se ajusta en fábrica como dispositivo 'sumidero de corriente' a menos que se especifique de otra manera al hacer el pedido. Para restaurarlo a 'fuente de corriente', retire la placa posterior y mueva las dos conexiones de la PCB terminal de la posición de 'sumidero' a la posición de 'fuente' tal como se muestra en el Diagrama 7.

**Nota: El terminal de conexión a tierra externa sólo debe utilizarse cuando las autoridades locales permitan o requieran dicha conexión. Si es posible, para limitar la interferencia de frecuencias radiofónicas, la caja de conexiones y el blindaje del cable deben conectarse a tierra al panel de control (área segura) solamente para evitar bucles de tierra.**

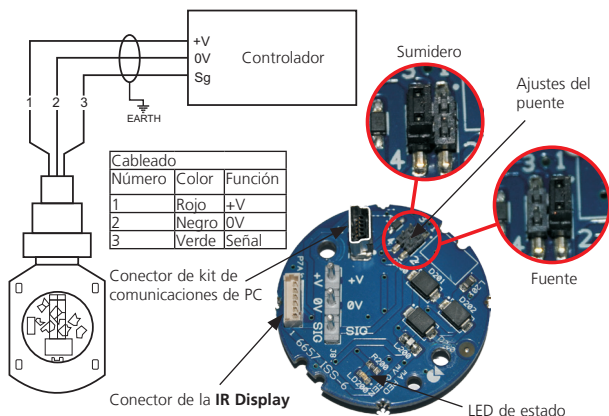


Diagrama 7: Ubicación del puente de sumidero/fuente

La señal de 4-20mA puede ponerse a corriente de 'sumidero' o 'fuente' utilizando las patillas y la conexión de puente mostrada en el Diagrama 7. Ajuste a 'sumidero' de corriente instalando la conexión de puente en las patillas 3 y 4, tal como se muestra en la fotografía de la izquierda. Ajuste a 'fuente' de corriente instalando la conexión de puente en las patillas 1 y 2, tal como se muestra en la fotografía de la derecha. Los detectores **IRmax** se ajustarán a 'sumidero' de corriente a menos que se especifique de otra manera al hacer el pedido.

**Indicación LED:** Hay instalado un LED en el PCB terminal para indicar el estado operativo de la corriente. Consulte la Sección 6 para obtener más información.

## ADVERTENCIA

Antes de realizar cualquier trabajo, asegúrese de que se sigan las normas locales y los procedimientos del lugar en cuestión. No intente nunca abrir el detector IRmax o la caja de conexiones auxiliares cuando haya gas inflamable presente. Asegúrese de que el panel de control asociado esté inhibido a fin de prevenir alarmas falsas.

### 3.1 Procedimiento de puesta en servicio

1. Compruebe que:
  - a. Las conexiones de cable son correctas
  - b. La tensión de alimentación está ajustada en la tarjeta de control como 18 a 30 V. La tensión medida en los terminales del detector **IRmax** (dentro de la caja de conexiones auxiliares Exe si se utiliza o en el PCB terminal del detector **IRmax**) y debe ajustarse a entre 12 y 30 V.
  - c. Las conexiones se ajustan para sumidero o fuente de 4-20 mA según sea apropiado en la tarjeta de control.
2. Una vez se ha activado, el dispositivo debe dejarse durante 30 minutos antes de intentar una puesta a cero/calibración. Este retardo tiene el fin de garantizar la estabilidad térmica. (**Nota: El IRmax será totalmente operativo 30 segundos después de que se le aplique corriente.**)
3. Asegúrese de que el aire es limpio (es decir, no hay gases de hidrocarburos) antes de la puesta a cero. Lectura cero en la tarjeta de control (consulte las instrucciones de la tarjeta de control).
4. Coloque la tapa de calibración sobre la cubierta impermeable para aislar la cámara de medición del aire ambiental. Esta tapa puede obtenerse de **Crowcon** (M041007). Conecte el gas de calibración (50% de LEL nom.) y aplíquelo a un flujo de 1 litro por minuto.
5. Después de 30 segundos ajuste cal/span en la tarjeta de control de forma que la lectura de la pantalla sea 50% de LEL, o corresponda a la concentración del gas de calibración aplicado. El **IRmax** en sí no debería requerir calibración.
6. Expulse el gas y retire la tapa de calibración. Vuelva a comprobar el cero.
7. A la instalación, o después de que se haya cambiado el espejo, el **IRmax** puede ponerse a cero y calibrarse bien utilizando un accesorio de **IR Display** (véase página 85) o a través de un kit de comunicaciones de PC (véase manual de accesorios de **IRmax**).

**Nota: Los detectores IRmax certificados por ATEX serán suministrados calibrados para el cumplimiento con EN61779 (donde, por ejemplo metano con 100% de LEL = 4,4% volumen).**

**Nota: Se recomienda que se utilice la tapa de calibración para la puesta en servicio inicial. Las calibraciones posteriores pueden realizarse aplicando gas a la tapa impermeable remotamente a través de la espiga de tubo (lo cual evita la necesidad de acceder directamente al IRmax). La calibración sin la tapa de calibración (es decir, directamente a través de la tapa impermeable) puede realizarse siempre y cuando la velocidad del viento local sea inferior a 2 metros/segundo. El caudal del gas debe ser superior a 2,0 litros/minuto.**



### 3.2 Mantenimiento rutinario

La aplicación del lugar dictarán la frecuencia de verificación de los detectores. **Crowcon** recomienda que el **IRmax** se verifique con gas como mínimo cada 6 meses y se recalibre si es necesario. Para recalibrar un **IRmax**, siga los pasos indicados en 3.1.

En el caso de un fallo de la electrónica, consulte a su representante local de **Crowcon**.

Intervalo de calibración: **Crowcon** recomienda una calibración cada 12 meses.

Calibración remota a través de tubo: La velocidad del viento debe ser inferior a 2,0 metros por segundo. Si es superior, utilice la tapa de calibración para impedir la dilución del gas.

Limpieza de la óptica: No se recomienda a menos que el **IRmax** tenga un fallo de oscurecimiento. Si la ventana o el espejo se contaminan, límpielos cuidadosamente con agua (véase la Sección 5 del manual de accesorios de **IRmax**, página 100).

Espejos: Si están dañados, contacte con **Crowcon** para obtener un repuesto. (véase la Sección 5 del manual de accesorios de **IRmax**, página 100). El **IRmax** siempre debe reponerse a cero y recalibrarse después de un cambio de espejo.

Si la condensación empieza a causar fallos, cambie el espejo (el revestimiento óptico puede estar dañado). **Crowcon** recomienda cambiar el espejo cada 5 años.

### 3.3 Cambio de tipos de gas

Cada **IRmax** se suministra precalibrado para un tipo de gas particular (por ejemplo, metano o propano). Si se requiere recalibración para un tipo de gas diferente, el **IRmax** puede reconfigurarse utilizando el kit de comunicaciones de PC, (véase la Sección 5 del manual de accesorios de **IRmax**, página 100), y después calibrarse.

## 3. Funcionamiento

### 3.4 Respuestas relativas de tipos de gas

En el gráfico siguiente se muestran las respuestas relativas a otros tipos de gas para un detector IRmax calibrado con metano.

**Nota: muchos gases y vapores de hidrocarburo son detectados más fácilmente por detectores IR que el metano. La respuesta del IRmax (y otros detectores de gas IR) será lineal a través de la gama 0-100% de LEL para el gas objetivo (es decir, metano en este ejemplo), pero no lineal para otros hidrocarburos que también estén presentes**

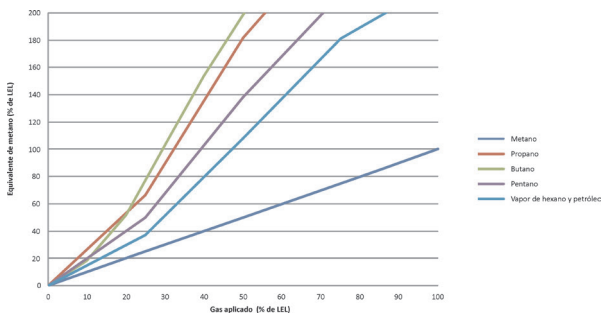



Diagrama 8

El diagrama muestra la respuesta de los gases indicados: de izquierda a derecha: propano, butano, pentano y metano.

Hay disponibles otros tipos y gamas de gas. Para más detalles, contacte con **Crowcon**.

## 4. Especificaciones

Material de la caja	Acero inoxidable 316
Dimensiones (detector solamente)	150 mm x 75 mm x 66 mm (sin espiga)
Peso	<b>IRmax</b> , 1,58 kg <b>IRmax con IR Display</b> fija, 2 kg <b>IRmax con módulo de barrera IS</b> , 2,4 kg <b>IR Display remota</b> , 0,2 kg
Tensión de funcionamiento	12 VCC a 30 VCC
Potencia	< 1 W
Salida	3 hilos 4-20 mA (sumidero o fuente)
Señal de fallo	<1 mA
Resistencia de bucle de cable máxima	80 ohmios (relativa a terminal -ve)
Temperatura de funcionamiento	-40°C a +75°C (-40°F a +167°F)
Humedad	0-100% de humedad relativa
Grado de protección	IP66
Protección contra explosión	Antideflagrante
Código de aprobación ATEX 	<b>IRmax</b> (sin <b>IR Display</b> ) II 2 GD Exd IIC T6 Gb Tamb = -40°C a +50°C II 2 GD Exd IIC T4 Gb Tamb = -40°C a +75°C II 2 GD Ex tb IIIC T135°C Db (-40°C ≤ Ta ≤ +75°C) <b>IRmax con su módulo de barrera IS</b> (pantalla remota) II 2 GD Exd ia IIC T4 Gb Tamb = -40°C a +75°C Ex tb ia IIIC T135°C Db Tamb = -40°C a +40°C <b>IRmax con IR Display fija</b> II 2 G Exd ia IIC T4 Gb (Tamb = -40°C a +75°C)
No. de certificado de seguridad ATEX y IECEx	<b>IRmax</b> (sin <b>IR Display</b> ): Baseefa 09ATEX0206X y IECEx BAS.09.0109X <b>IRmax</b> (con <b>IR Display</b> ): Baseefa 09ATEX0220X y IECEx BAS.09.0104X
Seguridad funcional	Certificado para uso en un sistema SIL 2. Número de certificado: Sira 12ATEX1206X
Estándares	EN60079-0:2006, EN60079-1:2004, EN60079-29-1: 2007, EN61779 IEC61508: 2010, EN50402: 2005
Zonas	Certificado para uso en Zona 1 o Zona 2
EMC	EN50270

## 5. Accesorios y repuestos

Números de pieza	Nombre	Descripción
M041007	Tapa de calibración	Encaja sobre la tapa estanca estándar para permitir la calibración cuando la velocidad del aire local es superior a 2 metros/segundo.
S012130	Kit de soporte de montaje	Permite realizar el montaje en una pared o un tubo de 50 mm. No se requiere si el <b>IRmax</b> se instala en una caja de conexiones existente.
S012152	Parasol/Cono colector	Puede instalarse en el <b>IRmax</b> para protegerlo contra altas temperaturas causadas por los rayos directos del sol y/o ampliar la huella del detector para detectar gases más ligeros que el aire (metano).
S012169	Kit de montaje de conducto	Permite la monitorización de conductos de 300 mm a 3000 mm, y flujo de aire entre 2 m/s y 20 m/s.
S012996	Adaptador de flujo	Para aplicaciones de muestreo de gas
S012827	Kit de comunicaciones de PC	Módulo de comunicaciones, software y cable que permiten la configuración del detector.
M20: S012295 ½" NPT: S012296	Caja de conexiones auxiliar	Opción de montaje de <b>IRmax</b> para uso en entornos peligrosos.
C011210	Kit de limpieza de espejo	Contiene paño de microfibras y toallitas impregnadas de alcohol isopropílico

### Repuestos del detector IRmax

Para ver los detalles de los repuestos, consulte el Diagrama 3 de la página 89.

## 6. Detección de errores

### 6.1 Errores indicados por LED

El LED instalado en el PCB terminal puede ayudar a identificar fallos. Su posición se muestra en el Diagrama 7 de la página 95. La tabla siguiente muestra cómo interpretar lo que falla según cada patrón de destellos.

Patrón de LED	Estado del detector	Acción
Destello regular cada segundo.	Buen estado.	
Encendido con pitidos cortos.	Detector en modo de inicialización.	Espere 10 segundos.
Destello rápido o patrón de destellos irregular.	Tensión de alimentación demasiado baja o demasiado alta.	Asegúrese de que la tensión de alimentación del <b>IRmax</b> está ajustada correctamente. Asegúrese de que la medición se realizó directamente en los terminales del <b>IRmax</b> .
Encendido permanentemente.	Fallo, error del host o i-module	Encienda y apague el <b>IRmax</b> y si el fallo continúa, devuélvalo a <b>Crowcon</b>
Dos destellos largos seguidos de un destello corto.	Error fatal; fallo de la lámpara o detector.	Devuélvalo a <b>Crowcon</b> .
Doble destello rápido cada segundo.	Error fatal, fallo de módulo o configuración.	Compruebe la configuración del <b>IRmax</b> utilizando software kit de comunicaciones de PC . Compruebe la fuente de alimentación. Si el fallo continúa, devuélvalo a <b>Crowcon</b> .
Un pitido corto cada segundo.	Óptica oscurecida.	Compruebe la ventana y el espejo, límpielos si es necesario. Reponga a cero el detector <b>IRmax</b> y compruebe la calibración.

Cualquier otro fallo sólo puede ser rectificado devolviendo el IRmax a Crowcon o a un agente de servicio autorizado.

### 6.2 Salida analógica

El **IRmax** sigue en estado de fallo (Fault) y también aparece "Servicio requerido" (Service required) en la **IR Display** (si está instalada) si la señal de salida analógica ha fallado o si no está conectado a un sistema de control o un resistor de carga. El **IRmax** monitoriza activamente la señal de salida analógica de 4-20 mA para verificar que está dentro del rango. Si la señal está fuera del rango el detector se pone en estado de fallo y la salida se pone a 1 mA. Por consiguiente, cuando se prueba un detector es esencial que esté conectado a un panel de control o que un resistor de carga de 100  $\Omega$  esté conectado entre los terminales '0V' y 'Sig' (detector puesto a modo 'Fuente') o entre los terminales '0V' y '+V' (detector puesto a modo 'Sumidero').

# 7. Configuración de RS485 Modbus

## 7.1 General

En esta sección se explica cómo utilizar detectores **IRmax** en una configuración Modbus. Hay disponible una versión habilitada con RS485 para dichas aplicaciones. Es posible conectar hasta 28 detectores **IRmax** en configuraciones de estrella o bus, de la forma descrita a continuación.

Las conexiones a la versión RS485 del detector **IRmax** deben realizarse a través de un pasacables de espiga a una caja de conexiones auxiliar (Véase Sección 5, página 92.), en lugar de cablearlas directamente al interior del detector.

Debe observarse que la pantalla del **IR Display** no puede utilizarse con detectores **IRmax** habilitados con RS485.

La versión del **IRmax** habilitada con RS-485 tiene cinco terminales de campo. Los terminales son:

1	Electricidad positiva	12 V a 30 V a más de 0 V
2	0 V	Retorno y referencia RS-485
3	Señal de 4-20 mA	Señal fuente o sumidero (opcional)
4	RS485 B	Señal diferencial RS-485
5	RS485 A	Señal diferencial RS-485

Las señales de los terminales RS-485 cumplen con la norma EIA/TIA-485, lo que significa que la gama de modo común es -7V a +12V respecto al terminal 0V.

Debe observarse que no todos los fabricantes de RS-485 están de acuerdo respecto a la polaridad de las señales A y B. Si el cableado no funciona de una forma, los usuarios deben intercambiar los cables RS-485 A&B. Hacer una conexión incorrecta no implica ningún riesgo.

Los ajustes de comunicaciones son 9600 bps, dos bits de parada y no paridad.

Cuando se compila un interfaz para un sistema de control, es importante considerar el tiempo que el sistema tarda en recoger información de cada detector, uno después de otro. La velocidad más rápida a la que detectores múltiples pueden ser sondeados es 14 detectores por segundo, pero en la práctica las condiciones pueden reducir esto a 7 por segundo. Los usuarios deben asegurarse de que el plan permita que las señales de alarma se registren dentro de límites de tiempo aceptables.

También es importante asegurarse de que el sistema pueda suministrar energía suficiente para mantener todos los detectores en funcionamiento. Para calcular la cantidad de energía requerida en una conexión de bus lineal, véase la Sección 7.3, Requisitos de cableado, página 104.

Para obtener las instrucciones completas sobre Modbus, contacte con **Crowcon** (véanse las direcciones en la contraportada).

## 7.2 Topología del cableado

Las dos topologías de cableado más comunes son la conexión en estrella y el bus lineal.

### 7.2.1 Conexión en estrella

En una topología de conexión en estrella, todos los detectores están cableados a un punto central, que usualmente es el panel de control. No se requiere que los cables tengan más de 5 núcleos ya que todas las conexiones de señales de 4-20mA se llevan directamente al panel de control.

Entonces las señales A y B de RS-485 pueden conectarse juntas en el punto de estrella. Seguidamente el bus debe terminarse en el punto de salida con un solo resistor de 110 ohmios.

La longitud de cada brazo de la estrella no puede superar los 750 metros.

### 7.2.2 Conexión de bus lineal

En una topología de conexión de bus, todos los detectores **IRmax** se cablean en una disposición lineal, usualmente con el panel de control en un extremo. Una situación clásica es una instalación de túnel, con los detectores **IRmax** instalados a intervalos regulares (véase el Diagrama 9 a continuación).

Para cablear la instalación, deben instalarse dos resistores de terminación de 110 ohmios en cada extremo físico del bus.

Como las señales de 4-20 mA no puede compartirse, se requiere un conductor adicional en cada tramo de cableado. Si no se utiliza ninguna de las señales de 4-20 mA, sólo se requieren cuatro conductores.

DIAGRAMA DE CONEXIÓN DE BUS LINEAL

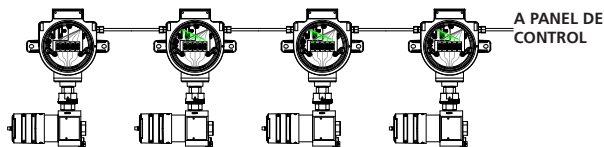


Diagrama 9

## 7. RS485 Modbus configuration

### 7.3 Requisitos de cableado

#### 7.3.1 Cálculo del nivel mínimo de potencia requerida

Cuanto más detectores **IRmax** estén conectados al bus lineal, mayor será la potencia requerida para el funcionamiento del sistema. Para calcular la potencia requerida para una instalación particular es necesario conocer la resistencia del cable entre cada par de detectores **IRmax**. Debe permitirse una corriente de por lo menos 0,1 mA para cada 'tramo' entre los detectores **IRmax**. La tensión aplicada puede calcularse calculando la caída de voltaje a través de cada 'tramo' – al final deben quedar por lo menos 12 V para asegurarse de que el último detector **IRmax** funciona correctamente.

Para obtener asesoría en casos específicos, contacte con **Crowcon**. De forma alternativa, siga los pasos descritos a continuación y el cálculo de muestra presentado en la sección siguiente.

1. La tensión no debe descender por debajo de 12 V, por tanto empiece el cálculo ajustando la tensión en el último **IRmax** de la línea a ese valor.
2. Cada **IRmax** puede tomar hasta 0,1 A. Calcule la pérdida de tensión de cable del primer 'tramo' entre detectores suponiendo que la 'corriente agregada' es 0,1A, y multiplique esto por la resistencia de cable del 'tramo' entre los detectores **IRmax** último y penúltimo.
3. Añada esta caída de tensión a los 12 V iniciales para obtener la tensión aceptable más baja en el penúltimo **IRmax**. Añada 0,1 A al valor de la 'corriente agregada' para llegar a 0,2 mA, la corriente mínima que pasa a través del penúltimo 'tramo' del bus. Multiplique esto por la resistencia de cable para el penúltimo 'tramo' para obtener la caída de tensión siguiente.
4. Repita este proceso para cada **IRmax**, acumulando las pérdidas de tensión que ocurrirán entre todos los detectores **IRmax**.
5. No debe excederse la tensión de detector máxima de 30 V.

#### 7.3.2 Cálculo de muestra

Como ejemplo, aquí se muestran los resultados del cálculo realizado para seis detectores **IRmax** espaciados uniformemente en un cable con un área de sección transversal de 1 mm<sup>2</sup>. Cada tramo tiene una resistencia de 4,6 ohmios.

Estación	Tensión de alimentación	Corriente de alimentación
1	12	0,1 A
2	12,46	0,2 A
3	13,38	0,3 A
4	14,76	0,4 A
5	16,6	0,5 A
6	18,9	0,6 A
Alimentación del panel	21,66	0,6 A



# 8. Manual de seguridad funcional

## 8.1 Prólogo

Las secciones siguientes proporcionan detalles sobre la certificación del IRmax de acuerdo con los estándares de seguridad funcional IEC 61508 y EN 50402. Se da información sobre las características consideradas respecto a seguridad, requisitos de mantenimiento y datos que permiten que el IRmax se integre en el Safety Instrumented System (SIS) (Sistema instrumentado de seguridad).

## 8.2 Función de seguridad del IRmax y del IRmax Modbus

Para medir la concentración de gas inflamable e indicar la medición por medio de una salida de 4-20 mA.

Los fallos relacionados con la función de seguridad serán detectados por el hardware y firmware asociados. Serán revelados en la forma de una señal de salida de menos de 3,6 mA o de más de 21 mA.

## 8.3 Datos de seguridad funcional

Nombre de parámetro	Símbolo	Ecuación / fuente	IRmax
Intervalo de ensayo de prueba	T1	Según define Crowcon.	8.760 horas (anuales)
Tiempo medio de reparación	MTTR	Según define Crowcon.	8 horas
Tipo A/B	Tipo A	Según define Crowcon.	Tipo B
Fallos totales:	$\lambda$	De FMEDA	1.04E-05
Fallos diagnosticados no peligrosos:	$\lambda_{SD}$	De FMEDA	1.95E-08
Fallos no diagnosticados no peligrosos:	$\lambda_{SU}$	De FMEDA	8.59E-08
Fallos diagnosticados peligrosos:	$\lambda_{DD}$	De FMEDA	9.74E-06
Fallos no diagnosticados peligrosos:	$\lambda_{DU}$	De FMEDA	5.06E-07
Fallos sin efecto no peligrosos:	$\lambda_{NE}$	De FMEDA	3.21E-09
Cobertura de diagnósticos:	DC	$\lambda_{DD} / (\lambda_{DU} + \lambda_{DD})$	95.06%
Fracción de fallo no peligroso:	SFF	$(\lambda_{SD} + \lambda_{SU} + \lambda_{DD}) / \lambda$	95.11%
Tiempo inactivo equivalente de canal	$t_{CE}$	$(\lambda_{DU} / \lambda_{DD})(T/2 + MTTR) + (\lambda_{DD} / \lambda_{DD}) MTTR$	2.24E+02
PFDAVG (utilizando la ecuación 61508-6)	$PFD_{AVG}$	$(\lambda_{DU} + \lambda_{DD}) t_{CE}$	2.30E-03
PFDAVG (utilizando ecuación simplificada)	$PFD_{AVG}$	$\lambda_{DU} (T/2 + MTTR) + (\lambda_{DD} MTTR)$	2.30E-03
PFDAVG (utilizando la ecuación IEC 61508-6)	$PFD_{AVG}$	$1 - e^{-(\lambda_{DD} + \lambda_{DU}) t_{CE}}$	2.30E-03
Capacidad de SIL (modo de baja demanda)			<b>SIL2</b>
Capacidad de SIL (modo de alta demanda)			<b>SIL2</b>

**Para aplicaciones de baja demanda**, respecto a fallos de hardware aleatorios y fracciones de fallos no peligrosos, todas las variantes del sistema son adecuadas para utilizarse en aplicaciones SIL 2.

## 8.4 Configuración de hardware

Se ha utilizado la Ruta 1H (tolerancia de fallo de hardware y fracción de fallo no peligroso) para evaluar el nivel de integridad de seguridad del hardware.

## 8.5 Configuración de software

Sea realizado la evaluación del firmware del producto de acuerdo con los requisitos dados en IEC 61508:3 2010.

## 8.6 Fallos sistemáticos

La Ruta 1S (especificada en IEC 61508:2 2010, párrafo 7.4.2.2c) se utiliza para cumplir con los requisitos de evitar fallos sistemáticos.

## 8.7 Intervalo de diagnósticos

La mayoría de funciones de diagnósticos se monitorizan continuamente.

Se comprueba el circuito vigilante del sistema durante el ensayo de prueba anual mediante un ciclo de desconexión y conexión eléctricas: El **IRmax** debe verificarse mediante un ciclo de desconexión y conexión eléctricas (desconectar y reconectar el suministro de 24 VCC) como parte del programa de mantenimiento para el producto (consulte también la sección 3.2).

## 8.8 Restricciones

Los índices de fallos son constantes.

Un ensayo de prueba realizado por lo menos una vez al año identificará todos los fallos no revelados.

Las reparaciones tienen un tiempo medio de 8 horas.

Se supone que el usuario utiliza esta función de diagnósticos proporcionada a través del accesorio IR Display y/o interfaz de PC a fin de minimizar el tiempo inactivo potencial del producto.

La evaluación de la fiabilidad es un proceso estadístico para aplicar datos de fallos históricos a diseños y configuraciones propuestos. Por consiguiente proporciona un objetivo/evaluación creíble de la probable fiabilidad del equipo suponiendo condiciones de fabricación, diseño y funcionamiento idénticas a aquellas en las que los datos se recopilaron. Es una valiosa técnica de revisión de diseño para comparar diseños alternativos, establecer el orden de objetivos de rendimiento de magnitudes y evaluar los efectos potenciales de cambios de diseño. Sin embargo no puede garantizarse que los valores previstos reales pronostiquen el número preciso de fallos sobre el terreno que pueden ocurrir realmente, ya que esto depende de muchos factores fuera del control de un ejercicio predictivo.

A efectos de esta predicción, se supone que los índices de fallos (símbolo  $\lambda$ ) son constantes con el tiempo. Tanto los fallos prematuros como los asociados con el desgaste reducirían la fiabilidad pero se supone que pueden ser eliminados mediante pruebas previas y cambios preventivos respectivamente.

La probabilidad de fallo a solicitud significa la probabilidad de que el sistema esté en un estado de fallo en un momento al azar. Esto es sinónimo de la indisponibilidad de estado estable, que es dada por:

$$\text{Indisponibilidad} = (\lambda \times \text{MDT}) / (1 + (\lambda \times \text{MDT}))$$

que se aproxima a  $\lambda \times \text{MDT}$  para valores pequeños de  $\lambda \times \text{MDT}$

donde  $\lambda$  es el índice de fallos y MDT es el tiempo inactivo medio (Mean Down Time).

Esto concuerda con la expresión de disponibilidad, dada como:  $\text{MTBF}/(\text{MTBF}+\text{MDT})$

Los índices de fallo utilizados, y por tanto las disponibilidades derivadas, son las asociadas de forma creíble con un diseño de probada eficacia después de un periodo adecuado de aumento de fiabilidad.

## 8.9 Medio ambiente

Restricciones medioambientales:

El producto se hará funcionar dentro de una gama de temperatura ambiente máxima de 40°C a +75 °C

El producto se almacenará dentro de una gama de temperatura ambiente máxima de 40°C a +80 °C.

El producto se hará funcionar dentro de una gama de humedad relativa ambiente máxima de 0% a +100 % de condensación.

El producto tiene un nominal de "protección contra penetración" de IP66 de acuerdo con las definiciones del estándar EN60529.

El producto está diseñado para funcionamiento continuo.

## 8.10 Tolerancia de fallo de hardware

La tolerancia de fallo de hardware es 0.

## 8.11 Capacidad sistemática

El IREX/IRmax es de Clase SC2.

## 8.12 Clasificación

El IREX/IRmax es un componente tipo B.

# Garantía

Este equipo sale de nuestra fábrica completamente verificado y calibrado. Si durante el período de garantía de tres años, calculado a partir de la fecha de envío, se demuestra que el equipo es defectuoso debido a material o fabricación deficiente, nos comprometemos a repararlo o cambiarlo, a nuestro criterio, gratuitamente, bajo las condiciones siguientes.

## Procedimiento de garantía

Para facilitar el procesamiento eficiente de cualquier reclamación, contacte con nuestro equipo de asistencia al cliente, llamando al nº de teléfono +44 (0)1235 557711 y proporcionando la información siguiente:

Su nombre y número de teléfono, número de fax y dirección de email de contacto.

La descripción y cantidad de productos que se devuelven, incluidos cualesquiera accesorios.

Número(s) de serie de instrumento(s).

El motivo de la devolución.

Obtenga un formulario de devolución para fines de identificación y localización. Este formulario puede ser descargado de nuestro sitio web 'crowconsupport.com', junto con una etiqueta de devoluciones. De forma alternativa podemos enviarle una copia por email.

**No se aceptarán detectores IRmax bajo garantía sin un número de devolución de Crowcon (Crowcon Returns Number (CRN)). Es esencial que la etiqueta de la dirección esté fijada de forma segura en el embalaje externo de los productos devueltos.**

La garantía quedará anulada si se descubre que el instrumento ha sido alterado, modificado, desmontado o manipulado indebidamente. La garantía no cubre el uso indebido o el maltrato de la unidad.

## Descargo de responsabilidad de garantía

**Crowcon** no acepta ninguna responsabilidad por pérdidas o daños consecuenciales o indirectos, sea cual sea su causa (incluida cualquier pérdida o daño CAUSADO por el uso del instrumento) y se excluye expresamente cualquier responsabilidad respecto a terceros.

La garantía respecto a elementos consumibles de repuesto (como el espejo) suministrados bajo garantía para reemplazar elementos defectuosos, se limitará a la garantía vigente del elemento suministrado original.

La garantía respecto a elementos consumibles de repuesto (como el espejo) suministrados bajo garantía para reemplazar elementos defectuosos, se limitará a la garantía vigente del elemento suministrado original.

**Crowcon** se reserva el derecho de determinar un periodo de garantía reducido, o declinar un periodo de garantía para cualquier sensor suministrado para utilizarse en un entorno o para una aplicación que se sabe que presenta un riesgo de degradar o dañar el sensor..

Nuestra responsabilidad respecto a equipo defectuoso se limitará a las obligaciones establecidas en la garantía y se excluye cualquier garantía extendida, condición o declaración, explícita o implícita, estatutaria o de otro tipo respecto a la calidad comercializable de nuestro equipo o su idoneidad para algún fin particular excepto si esta exclusión está prohibida por la ley. Esa garantía no afectará los derechos estatutarios de un cliente.

**Crowcon** se reserva el derecho de aplicar un recargo de manipulación y transporte si se descubre que unidades devueltas como defectuosas sólo requieren calibración o servicio normal, que el cliente declina realizar.

Para consultas sobre garantía y asistencia técnica, contacte con:

**Asistencia al cliente**

**Tel: +44 (0) 1235 557711**

**Fax: +44 (0) 1235 557722**

**Email: [customersupport@crowcon.com](mailto:customersupport@crowcon.com)**



# Contenuto

Principi di funzionamento e informazioni di sicurezza .....	113
Principi di funzionamento del rilevatore <b>IRmax</b> .....	113
Informazioni per la sicurezza .....	114
Panoramica del prodotto .....	115
1. Introduzione .....	116
1.1 Considerazioni generali .....	116
1.2 Descrizione del prodotto .....	116
2. Installazione .....	118
AVVERTENZA .....	118
2.1 Collocazione .....	118
2.2 Montaggio .....	119
2.3 Collegamento diretto del cablaggio al rilevatore <b>IRmax</b> .....	119
2.3.1 Assegnazione dei terminali .....	120
2.3.2 Installazione del rilevatore <b>IRmax</b> con la staffa di montaggio... ..	120
2.4 Installazione con attacco e scatola di derivazione ausiliaria .....	121
2.4.1 Montaggio del rilevatore <b>IRmax</b> a una scatola di derivazione ausiliaria .....	122
2.5 Requisiti per il cablaggio .....	122
2.6 Collegamenti e impostazioni .....	123
3. Funzionamento .....	124
3.1 Commissioning procedure .....	124
3.2 Manutenzione ordinaria .....	125
3.3 Applicazioni con rilevazione di più gas .....	125
3.4 Risposte relative ai tipi di gas .....	126
4. Dati tecnici .....	127
5. Accessori e ricambi .....	128
6. Diagnostica .....	129
6.1 Errori segnalati dal LED .....	129
6.2 Uscita analogica .....	129
7. Configurazione Modbus RS485 .....	130
7.1 Considerazioni generali .....	130
7.2 Topologia di collegamento .....	131
7.2.1 Collegamento a stella .....	131
7.2.2 Collegamento a bus lineare .....	131
7.3 Requisiti di cablaggio .....	132
7.3.1 Calcolo del livello minimo di potenza richiesto .....	132
7.3.2 Esempio di calcolo .....	132

8. Manuale della sicurezza funzionale.....	133
8.1 Introduzione .....	133
8.2 Funzione di sicurezza IRmax e IRmax Modbus .....	133
8.3 Dati di sicurezza funzionale.....	133
8.4 Configurazione dell'hardware .....	134
8.5 Configurazione del software .....	134
8.6 Guasti sistematici .....	134
8.7 Intervallo diagnostico .....	134
8.8 Limiti.....	134
8.9 Ambientale .....	135
8.10 Tolleranza ai guasti hardware.....	135
8.11 Capacità sistematica.....	135
8.12 Classificazione.....	135
Garanzia.....	136



# Principi di funzionamento e informazioni di sicurezza

## Principi di funzionamento del rilevatore IRmax

Il rilevatore di gas a infrarossi (IR) ultracompatto **IRmax** consente la rilevazione rapida e fail-safe di vapori e gas idrocarburi.

Progettato per operare nelle condizioni più gravose, **IRmax** integra la tecnologia dei sensori IR a doppia lunghezza d'onda in una robusta esecuzione in acciaio inox 316. A differenza dei tradizionali rilevatori di gas a IR, **IRmax** non incorpora elementi scaldanti per prevenire la formazione di condensa su vetri e finestre. Grazie al rivestimento STAY CLR, infatti, il rilevatore **IRmax** previene la formazione di condensa durante il funzionamento.

Il rilevatore **IRmax** è compatibile con qualunque sistema di controllo 4-20mA e può anche essere installato in una rete di Modbus RS485 indirizzabili. (vedere Sezione 7).

Il rilevatore **IRmax** assorbe solo 1 Watt di potenza, con un consumo tra il 75 e il 90% inferiore rispetto ai tradizionali rilevatori di gas a IR.

Il rilevatore **IRmax** è caratterizzato da una camera di diffusione compatta che, insieme all'efficiente copertura di protezione anti-intemperie, assicura un'eccellente velocità di risposta. La copertura anti-intemperie è stata progettata con l'ausilio di un software di modellazione del flusso d'aria per effettuare la gassatura e la calibrazione a distanza senza l'impiego di speciali cappucci di calibrazione.

**IR Display** consente di monitorare le letture del rilevatore **IRmax** sia in sede che a distanza. **IR Display** può essere montato direttamente sul rilevatore **IRmax** o fornito con una barriera **Crowcon** a sicurezza intrinseca. In questo modo l'unità **IR Display** può essere collegata alla barriera mediante cablaggio provvisorio o permanente. Le opzioni disponibili sono illustrate nello Schema 3, pagina 116.

Per ulteriori informazioni sugli altri accessori per il rilevatore **IRmax** v. la Schema 3 a pagina 117 e la Sezione 5 a pagina 128.

### Informazioni per la sicurezza

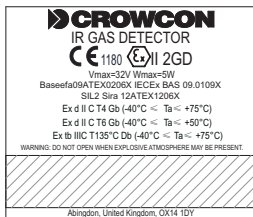
- I rilevatori di gas **IRmax** devono essere installati, utilizzati e riparati attenendosi rigorosamente alle istruzioni e ai messaggi di avviso contenuti nel presente manuale, alle informazioni riportate sulle etichette ed entro i limiti stabiliti.
- Il dado posteriore del rilevatore **IRmax** deve essere sempre ben serrato durante il funzionamento. Non tentare di rimuovere il dado posteriore prima di avere isolato l'alimentazione del rilevatore per evitare possibili accensioni in atmosfere esplosive. Prima di rimuovere il dado per eseguire interventi di manutenzione, calibrazione o riparazione, controllare che l'atmosfera circostante non contenga gas o vapori infiammabili. Dopo avere scollegato l'alimentazione, attendere sempre qualche minuto prima di procedere.
- Gli interventi di manutenzione e calibrazione devono essere affidati esclusivamente a personale qualificato.
- Utilizzare solo ricambi originali **Crowcon**; l'utilizzo di componenti non originali può invalidare la certificazione e la garanzia del rilevatore **IRmax**.
- In ambienti riscaldati, i rilevatori **IRmax** devono essere protetti dalle vibrazioni eccessive e dalla luce solare diretta per evitare un aumento della temperatura superiore ai limiti specificati e ridurre la durata di esercizio dell'apparecchio.
- I rilevatori **IRmax** non rilevano idrogeno, ammoniaca o anidride carbonica.
- L'apparecchiatura deve essere collegata a terra mediante il pressacavo e il cavo in acciaio armato.
- Omologazione per ambienti polverosi Zona 21/22: il modello IRmax base (senza display IR o modulo barriera IS) può essere usato in ambienti contenenti polveri pericolose (Zona 21 o 22).
- Il modello IRmax con modulo barriera IS può essere usato nelle Zone 21 o 22 a condizione che la temperatura ambiente non superi 40°C e che si installi/utilizzi un display IR remoto o display IR palmari solo all'esterno dell'area pericolosa.
- Il modello IRmax con display IR fisso non può essere installato in ambienti classificati come Zona 21 o 22.

## Panoramica del prodotto

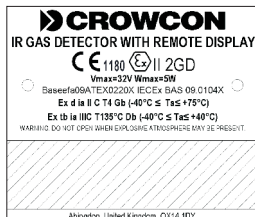
Il rilevatore **IRmax** è un rilevatore di gas a infrarossi usato per la rilevazione dei comuni gas idrocarburi entro una gamma compresa tra 0 e 100%LEL (Lower Explosive Limit: limite inferiore di esplosività, ossia la concentrazione minima nell'aria a cui può verificarsi l'accensione).

L'apparecchio **IRmax** è un rilevatore antideflagrante certificato (Exd) idoneo all'uso nelle Zone 1 o 2 definite dalla direttiva ATEX relativa alle aree pericolose. Per individuare il tipo di certificazione del proprio apparecchio fare riferimento ai dati della targhetta di certificazione riportata su un lato dell'apparecchio.

**Nota: se non è presente alcuna targhetta di certificazione, il rilevatore IRmax non è certificato per l'impiego nelle aree pericolose.**



Targhetta omologazione modello *IRmax*  
base



Targhetta omologazione *IRmax* con barriera  
IS



Targhetta omologazione *IRmax* con display IR fisso



Rilevatori omologati per l'uso in Brasile



Schema 1: targhette di certificazione del rilevatore *IRmax*

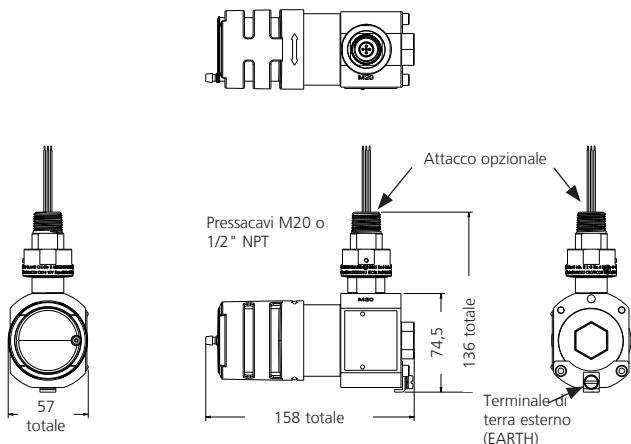
## 1.1 Considerazioni generali

Tutti i rilevatori **IRmax** sono identificati da una targhetta attaccata al corpo principale. Al momento di contattare **Crowcon** per richiedere assistenza o ricambi, si prega di avere a portata di mano nome, numero di parte e di matricola del prodotto.

## 1.2 Descrizione del prodotto

Il rilevatore **IRmax** è costituito da un corpo principale in acciaio inox 316, una copertura antistatica per la protezione del sistema ottico, una camera di misurazione dei gas e un gruppo elettronico. Inoltre, il rilevatore **IRmax** può essere dotato di un modulo **IR Display**. Le istruzioni per il montaggio dell'unità **IR Display** sono riportate nel relativo manuale (M07061).

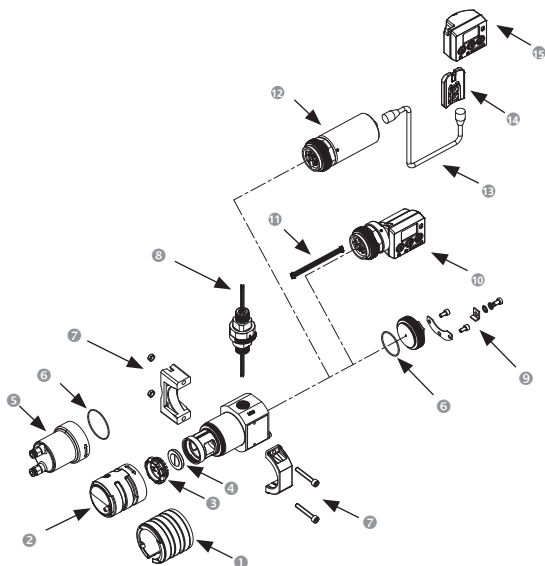
È inoltre disponibile un attacco opzionale per collegare il rilevatore **IRmax** direttamente alle scatole di derivazione ausiliarie con ingressi per cavi M20 o 1/2" NPT.



Tutte le dimensioni sono espresse in millimetri

Schema 2: disegno dimensionale del rilevatore *IRmax*

**Nota:** il corpo del rilevatore *IRmax* è dotato di due ingressi per cavi: uno M20 e l'altro 1/2" NPT. L'ingresso per cavo non specificato al momento dell'ordinazione del rilevatore *IRmax* viene sigillato in fabbrica con un tappo certificato. Il rilevatore *IRmax* deve essere installato con entrambi gli ingressi sigillati: uno mediante pressacavo, l'altro mediante tappo omologato.



Schema 3: disegno esploso del rilevatore *IRmax* (con numeri di parte dove applicabile)

- ① Cappuccio di calibrazione M041007
- ② Copertura protettiva M04995
- ③ Fermasp specchio } Fornito come kit di ricambio completo dello specchio
- ④ Specchio } C011206
- ⑤ Adattatore di flusso S012996
- ⑥ O-ring per controdado, modulo **barriera IS** o modulo per **display IR fisso**: M040077
- ⑦ Staffa di montaggio come gruppo completo S012130
- ⑧ Attacco versione M20 o 1/2" NPT: M20 ATEX: S012147, 1/2" NPT ATEX: S012190
- ⑨ Piastra e bulloni di fissaggio per tappo posteriore, display IR fisso e modulo **barriera IS**.
- ⑩ **IR Display** versione fissa
- ⑪ Connettore da **IR Display** a **IRmax** E07987
- ⑫ Barriera a sicurezza intrinseca
- ⑬ Cavo collegamento **IR Display**
- ⑭ Presa montaggio **IR Display remoto** M03833
- ⑮ **IR Display remoto**

## 2. Installazione

---

### AVVERTENZA

- Questo rilevatore è progettato per l'impiego in Zone a rischio 1 e 2; il tipo di certificazione dipende dagli accessori montati e dalla temperatura ambiente di esercizio. Per informazioni dettagliate sulla certificazione fare riferimento alla tabella delle specifiche a pagina 14. L'installazione deve essere conforme agli standard approvati dall'autorità competente nei rispettivi Paesi.
- Per ulteriori informazioni contattare Crowcon. Prima di eseguire qualunque installazione, garantire la stretta osservanza di tutte le norme locali e delle procedure del sito.
- L'apparecchiatura deve essere collegata a terra mediante il pressacavo e il cavo in acciaio armato.
- Non tentare di collegare un'unità IR Display a un rilevatore non progettato per lo scopo. I rilevatori progettati per l'impiego con il display sono certificati Exd e devono essere azionati con un display fisso contenente una barriera a sicurezza intrinseca o con un display remoto o palmare collegato mediante il modulo Crowcon IS Barrier.
- I rilevatori IRmax forniti senza display sono certificati Exd IIC e non sono adatti all'uso con l'unità IR Display.

### 2.1 Collocazione

Il rilevatore **IRmax** deve essere montato dove è più probabile che sia presente il gas da rilevare. Al momento di scegliere il punto di installazione, tenere presente quanto riportato di seguito.

- Per rilevare gas più leggeri dell'aria, come il metano, i rilevatori devono essere montati in alto. Per rilevare gas più pesanti dell'aria, quali i vapori infiammabili, i rilevatori devono essere montati in basso.
- Al momento di scegliere il punto di installazione dei rilevatori, si raccomanda di valutare i possibili danni causati da eventi naturali quali pioggia o allagamenti. Nel caso dei rilevatori montati all'esterno in regioni molto calde, **Crowcon** raccomanda l'uso di un schermo solare (vedere Sezione 5, **Accessori e ricambi**, a pagina 128).
- Tenere conto della facilità di accesso al rilevatore per le procedure di verifica e gli interventi di manutenzione.
- Valutare il possibile comportamento delle fughe di gas in presenza di correnti d'aria naturali o indotte. Se del caso, montare i rilevatori nelle condotte di ventilazione (vedere Sezione 5, **Accessori e ricambi**, a pagina 128).
- Valutare le condizioni del processo. Per esempio, il butano è normalmente più pesante dell'aria, tuttavia - se liberato da un processo eseguito a temperatura e/o pressione elevata - può salire invece di scendere.

La posizione dei sensori deve essere determinata con la consulenza di periti nella dispersione dei gas, nelle apparecchiature di processo del sito e negli aspetti relativi alla sicurezza e alla progettazione. Conservare la documentazione relativa alla posizione dei sensori concordata con i periti.

## 2.2 Montaggio

Il rilevatore **IRmax** può essere montato in tre modi:

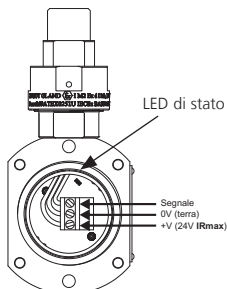
1. Usando la staffa di montaggio opzionale e creando un collegamento diretto con il cavo di campo (solo per il funzionamento a 4-20mA)
2. Usando un attacco opzionale da collegare a una scatola di giunzione preesistente e omologata Exe o Exd. **Crowcon** fornisce una guarnizione per l'attacco come extra opzionale (v. 3 sotto)
3. con la scatola di derivazione ausiliaria e l'attacco opzionali **Crowcon**.

I componenti opzionali sono riportati nella Sezione 5, pagina 128.

Il rilevatore **IRmax** deve essere installato nel punto designato con il cilindro del sensore orizzontale +/- 15° (come mostrato nello schema 2 a pagina 3). Questa disposizione consente di evitare l'accumulo di polvere o acqua nei componenti ottici.

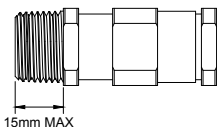
## 2.3 Collegamento diretto del cablaggio al rilevatore IRmax

Questa opzione è disponibile solo per il funzionamento a 4-20mA. Per fissare il rilevatore a una parete o a un tubo da 50 mm occorre utilizzare una staffa di montaggio..



Schema 4: Collegamenti del cavo di campo sul rilevatore *IRmax*

Collegare i cavi di campo montando un pressacavo certificato nell'ingresso prescelto sul corpo del rilevatore **IRmax** (M20 o 1/2" NPT). **Crowcon** raccomanda di installare il pressacavo orientandolo verso il basso.



Accertarsi di utilizzare un pressacavo con idonea certificazione Exd e filettature con passo non superiore alla lunghezza specificata nello schema (a sinistra).

## 2. Installazione

### 2.3.1 Assegnazione dei terminali

Con il rilevatore **IRmax** orientato come mostrato nello Schema 2, pagina 116 (ingresso del cavo M20 nella parte superiore), collegare il cavo di campo utilizzando il connettore estraibile come indicato di seguito:

+24V nella parte inferiore, 0V al centro, segnale nella parte superiore.

Il connettore a 6-pin a destra della scheda a circuiti stampati serve per la manutenzione e/o il collegamento di un modulo **IR Display**.

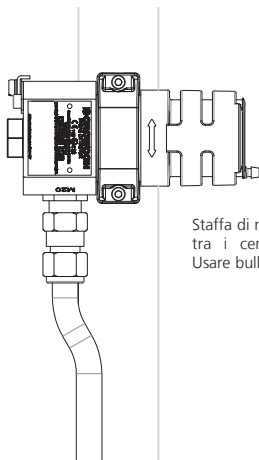
Terminale +ve: alimentazione +ve dalla scheda di controllo.

Terminale Sig: segnale dalla scheda di controllo.

Terminale 0 V: alimentazione -ve dalla scheda di controllo.

### 2.3.2 Installazione del rilevatore IRmax con la staffa di montaggio

- Il rilevatore **IRmax** può essere fornito con una staffa di montaggio (S012130) al posto dell'attacco per consentire il collegamento diretto ai cavi di campo (vedere Schema 5).



Staffa di montaggio: 70mm  
tra i centri di fissaggio.  
Usare bulloni M6.

Schema 5: rilevatore *IRmax* con staffa di montaggio e pressacavo

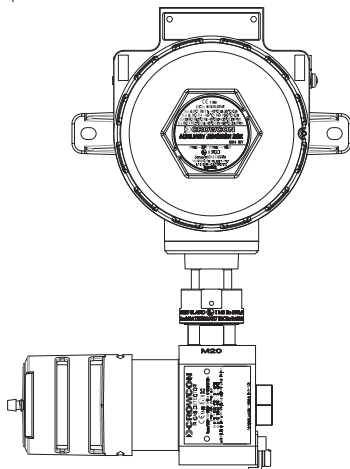
- Se il rilevatore **IRmax** viene montato su una superficie in piano, utilizzare la staffa di montaggio come maschera per segnare e trapanare due fori. Utilizzando fissaggi adatti alla parete/superficie di montaggio, montare senza serrare le due parti della staffa.
- Rimuovere la copertura protettiva dal rilevatore **IRmax** e fare scorrere il corpo del rilevatore nella staffa. Si raccomanda di installare il corpo del rilevatore in modo che l'ingresso del cavo sia rivolto verso il basso.



- d. Serrare i due fissaggi della staffa in modo che il rilevatore **IRmax** risulti saldamente bloccato in posizione. Rimontare la copertura protettiva.
- e. Dopo avere fissato il rilevatore **IRmax**, rimuovere il dado posteriore per accedere ai terminali dei cavi.
- f. Predisporre il cavo di campo. **Crowcon** raccomanda l'uso di un cavo con filo in acciaio armato (SWA) da 1,5 mm<sup>2</sup> è possibile utilizzare altri tipi di cavi a condizione che siano compatibili con i pressacavi certificati Exd. Montare un pressacavo idoneo certificato Exd, fare passare i conduttori nel corpo del rilevatore **IRmax** e avvitare il pressacavo. Fissare il pressacavo e controllare che l'armatura del cavo sia collegata a terra mediante il pressacavo e il corpo del rilevatore **IRmax**. **N.B.:** non dimenticare di rimontare il dado posteriore dopo aver installato il cavo.
- g. La piastra di fissaggio (componente 9 nello Schema 3 a pagina 117) deve essere saldamente fissata per prevenire eventuali rischi di allentamento del dado posteriore (o dell'accessorio del display IR fisso o del modulo barriera IS) a causa delle vibrazioni.

## 2.4 Installazione con attacco e scatola di derivazione ausiliaria

Questa opzione di montaggio è richiesta se il rilevatore **IRmax** deve essere collegato a una scatola di derivazione ausiliaria preesistente certificata Exd o Exe.



Schema 6: rilevatore *IRmax* collegato alla scatola di derivazione ausiliaria

## 2. Installazione

### 2.4.1 Montaggio del rilevatore IRmax a una scatola di derivazione ausiliaria

- Rimuovere con cura la sezione esterna dell'attacco (componente 8 nello Schema 3 a pagina 117).
- Avvitare l'estremità stretta dell'attacco nella scatola di derivazione ausiliaria del rilevatore **IRmax**.
- Solleverare il rilevatore **IRmax** fino alla scatola di derivazione ausiliaria e fare passare i fili attraverso il gruppo e la scatola di derivazione ausiliaria. Fissare il rilevatore **IRmax** avvitando saldamente il colletto al pressacavo. Serrare il grano.
- Il corpo principale del rilevatore **IRmax** può essere orientato orizzontalmente a qualunque angolazione, a condizione che sia fissato meccanicamente, che non interferisca con altre apparecchiature e che sia facilmente accessibile per la manutenzione.
- Per istruzioni sul cablaggio consultare la sezione 2.6. Vedere anche lo Schema 4, pagina 119.

## 2.5 Requisiti per il cablaggio

I collegamenti elettrici al rilevatore **IRmax** devono essere conformi alle norme approvate dall'autorità locale in materia e soddisfare i requisiti elettrici del rilevatore **IRmax**.

**Crowcon** raccomanda l'uso di un cavo armato con filo in acciaio (SWA) e di un pressacavo antideflagrante. Tecniche di cablaggio alternative, quali tubi in acciaio, sono accettabili solo se a norma.

La lunghezza massima raccomandata dei cavi è 3,4 km (v. Tabella 1).

Il rilevatore **IRmax** richiede un'alimentazione cc di 12-30V.c.c. Controllare che la tensione erogata al rilevatore **IRmax** dal quadro di comando sia 12V minimo, tenendo conto della caduta di tensione dovuta alla resistenza del cavo a una corrente di picco di 0,1A.

Normalmente, un cavo da 1,5 mm<sup>2</sup> consente di coprire una lunghezza massima di 3,0 km. La tabella 1 sotto mostra le distanze massime dei cavi secondo i parametri standard.

C.S.A.	Resistenza	Distanza max. >20 V	Distanza max. da 18 a 20 V
mm <sup>2</sup>	(Ohm per km)	(km)	(km)
1,0	18,4	2,2	1,6
1,5	13,0	3,0	2,3
2,5	11,5	3,4	2,6

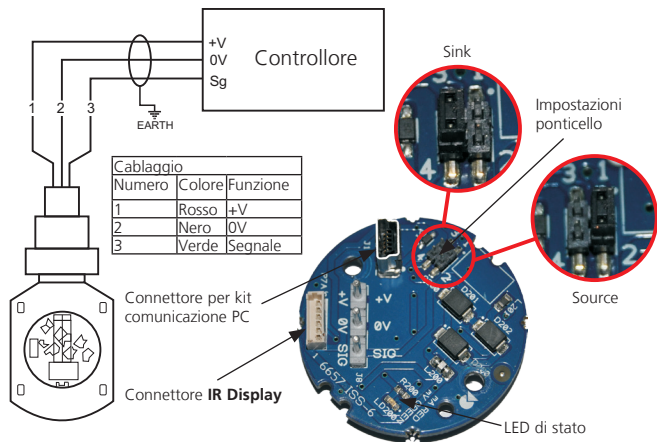
Tabella 1: distanze max. per cavi tipici

## 2.6 Collegamenti e impostazioni

Tutti i collegamenti descritti si riferiscono alla morsettieria montata nel corpo principale del connettore del rilevatore **IRmax**. I terminali della scheda a circuiti stampati del connettore **IRmax** sono contrassegnati con '+', 'sig' e '0 V'. Rispettare la polarità corretta al momento di collegare il rilevatore **IRmax** all'apparecchiatura di controllo.

Il rilevatore **IRmax** è preimpostato come dispositivo con corrente a 'pozzo di corrente', salvo diversamente specificato al momento dell'ordine. Per impostare l'apparecchio a 'sorgente di corrente', smontare la piastra posteriore e spostare i due collegamenti della scheda a circuiti stampati dalla posizione 'sink' alla posizione 'source', come mostrato nello Schema 7.

**Nota: il terminale esterno di terra può essere usato solo se permesso o richiesto dalle autorità locali competenti. Per limitare l'interferenza prodotta dalle radiofrequenze, si consiglia - per quanto possibile - di eseguire la messa a terra della scatola di derivazione ausiliaria e dell'armatura del cavo solo nel quadro di comando (aerea sicura) per evitare ritorni di terra.**



Schema 7: punto di installazione ponticello sink/source

Il segnale 4-20mA può essere impostato come corrente 'Sink' o 'Source' utilizzando i pin e il ponticello mostrati nello Schema 7. Impostare la corrente su 'Sink' collegando il ponticello ai pin 3 e 4 come mostrato nella fotografia a sinistra. Impostare la corrente su 'Source' collegando il ponticello ai pin 1 e 2 come mostrato nella fotografia a destra. I rilevatori **IRmax** sono impostati con corrente 'Sink' salvo diversamente specificato al momento dell'ordine.

**Indicatore LED: la scheda a circuiti stampati è dotata di un LED per indicare lo stato operativo della corrente. Per ulteriori informazioni consultare la Sezione 6 a pagina 129.**

## AVVERTENZA

Prima di eseguire qualunque intervento, garantire l'ottemperanza alle norme locali e alle procedure stabilite dal sito. Non tentare mai di aprire il rilevatore o la scatola di derivazione ausiliaria in presenza di gas infiammabili. Accertarsi che il quadro di comando associato sia inibito per evitare falsi allarmi.

### 3.1 Commissioning procedure

- Controllare che:
  - i collegamenti dei cavi siano corretti
  - la tensione di alimentazione nella scheda di controllo sia impostata tra 18 e 30 V. La tensione misurata in corrispondenza dei terminali del rilevatore **IRmax** (nella scatola di giunzione Exe, se utilizzata, o in corrispondenza della scheda a circuiti stampati del rilevatore **IRmax**) deve essere impostata tra 12 e 30 V.
  - i collegamenti siano impostati per una corrente 4-20 mA sink o source in base alla scheda di controllo.
- Dopo l'accensione, attendere almeno 30 minuti prima di procedere all'azzeramento/calibrazione per consentire al dispositivo di raggiungere la stabilità termica. (**Nota: Il rilevatore IRmax è pronto al funzionamento 30 secondi dopo l'accensione.**)
- Controllare che l'aria sia pulita (nessun gas idrocarburo) prima di procedere all'azzeramento. Effettuare la lettura dello zero sulla scheda di controllo (consultare le istruzioni della scheda di controllo).
- Montare il cappuccio di calibrazione sulla copertura protettiva per isolare la camera di misurazione dall'aria ambiente. Questa copertura è disponibile rivolgendosi a **Crowcon** (M041007). Collegare il gas di calibrazione (50% LEL nom) ed erogare alla portata di 1 litro/minuto.
- Dopo 30 secondi, regolare calibrazione/span sulla scheda di controllo in modo che il display visualizzi 50% LEL o corrisponda alla concentrazione del gas di calibrazione erogato. Il rilevatore **IRmax** non dovrebbe richiedere alcuna calibrazione.
- Interrompere l'erogazione del gas e rimuovere il cappuccio di calibrazione. Verificare nuovamente l'azzeramento.
- Al momento dell'installazione, o dopo avere cambiato lo specchio, il rilevatore può essere azzerato e calibrato utilizzando un accessorio dell'unità **IR Display** (vedere pagina 113) o mediante un kit di comunicazione con il PC (vedere il manuale degli accessori **IRmax**).

**Nota: i rilevatori IRmax certificati ATEX sono forniti calibrati in conformità alla norma EN61779 (dove, per esempio 100% LEL Metano = 4,4% volume).**

**Nota: si raccomanda di utilizzare il cappuccio di calibrazione per la messa in servizio iniziale. Le calibrature successive possono essere eseguite erogando gas alla copertura protettiva a distanza mediante il tubo (evitando pertanto la necessità di accedere direttamente al rilevatore). La calibrazione senza il cappuccio (i.e. direttamente mediante la copertura protettiva) può essere eseguita a condizione che la velocità del vento sia inferiore a 2 metri/**

*secondo. La portata del gas deve essere superiore a 2,0 litri/minuto.*

## 3.2 Manutenzione ordinaria

Le pratiche del sito indicano la frequenza di verifica dei rilevatori. **Crowcon** consiglia di testare i rilevatori **IRmax** con gas almeno ogni 6 mesi e di eseguire una nuova calibrazione ove e quando necessario. Per eseguire una nuova calibrazione, seguire la procedura riportata nella Sezione 3.1.

In caso di guasto ai componenti elettronici, rivolgersi al rappresentante **Crowcon** di zona.

Intervalli di calibrazione:	<b>Crowcon</b> raccomanda di eseguire la calibrazione a intervalli di 12 mesi.
Calibrazione a distanza mediante tubo:	la velocità del vento deve essere inferiore a 2,0 metri/secondo. Se superiore, usare il cappuccio di calibrazione per evitare la diluizione del gas.
Pulizia del sistema ottico:	<b>non raccomandata salvo</b> in caso di guasti dovuti a oscuramento del percorso ottico. In caso di contaminazione della finestrina o dello specchio, pulire bene con acqua. (vedere Sezione 5, <b>Accessori e ricambi</b> , a pagina 128).
Mirrors:	se danneggiato, rivolgersi a <b>Crowcon</b> per ordinare il ricambio (vedere Sezione 5, <b>Accessori e ricambi</b> , a pagina 128). Dopo la sostituzione dello specchio, il rilevatore <b>IRmax</b> deve essere sempre azzerato e ricalibrato.  se la condensa inizia a causare guasti, sostituire lo specchio (è possibile che il rivestimento ottico sia danneggiato). <b>Crowcon</b> raccomanda di sostituire lo specchio ogni 5 anni.

## 3.3 Applicazioni con rilevazione di più gas

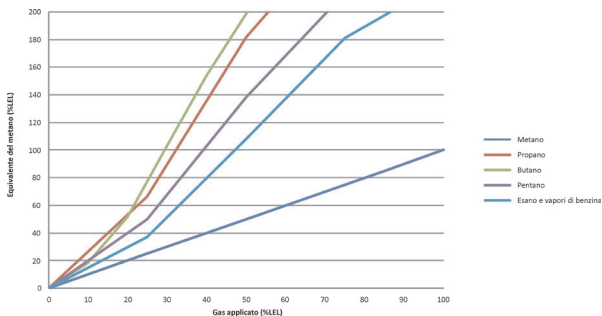
Tutti i rilevatori **IRmax** sono forniti precalibrati per un certo tipo di gas (ad esempio metano o propano). Se è necessario eseguire la ricalibrazione per un gas di diverso tipo, il rilevatore **IRmax** può essere riconfigurato usando il kit di comunicazione per PC (vedere Sezione 5, **Accessori e ricambi**, a pagina 128), e successivamente calibrato.

## 3. Funzionamento

### 3.4 Risposte relative ai tipi di gas

Il grafico riportato di seguito mostra le risposte relative ad altri tipi di gas ottenute con un rilevatore IRmax calibrato per il metano.

*Nota: i rilevatori IR rilevano molti gas e vapori di idrocarburi più facilmente rispetto al metano. La risposta di IRmax (e di altri rilevatori di gas IR) sarà lineare nel range da 0 a 100%LEL per il gas target (il metano nell'esempio specifico), ma non-lineare per altri idrocarburi eventualmente presenti.*




Schema 8

Il diagramma mostra la risposta dei gas menzionati sopra: da sinistra a destra propano, butano, pentano e metano.

Per ulteriori informazioni su altri tipi di gas e gamme disponibili contattare **Crowcon**.

## 4. Dati tecnici

Materiale corpo	Acciaio inox 316
Dimensioni (Solo rilevatore)	150 mm x 75 mm x 66 mm (senza tubo)
Peso	<b>IRmax</b> 1,58 kg <b>IRmax</b> con unità <b>IR Display</b> fissa 2 kg <b>IRmax</b> con barriera IS 2,4 kg <b>IR Display remoto</b> 0,2 kg
Tensione operativa	Da 12Vcc a 30V cc
Alimentazione	< 1 W
Uscita	4-20 mA a 3 fili (Sink o Source)
Segnale di guasto	<1 mA
Resistenza max. circuito cavo	80 Ohm (relativo al terminale -ve)
Temperatura operativa	Da -40°C a +75°C
Umidità	0-100% umidità relativa
Grado di protezione	IP66
Protezione antideflagrazione	Antideflagrante
Codice di approvazione ATEX 	<b>IRmax</b> (senza <b>IR Display</b> ) II 2 GD Exd IIC T6 Gb Tamb = da -40°C a +50°C II 2 GD Exd IIC T4 Gb Tamb = da -40°C a +75°C II 2 GD Ex tb IIIC T135°C Db (-40°C ≤ Ta ≤ +75°C) <b>IRmax</b> con modulo <b>barriera IS</b> (display remoto) II 2 GD Exd ia IIC T4 Gb Tamb = da -40°C a +75°C Ex tb ia IIIC T135°C Db Tamb = da -40°C a +40°C <b>IRmax</b> con <b>display IR fisso</b> II 2 G Exd ia IIC T4 Gb (Tamb = da -40°C a +75°C)
Numero di certificato di sicurezza ATEX e IECEx	<b>IRmax</b> (senza <b>IR Display</b> ): Baseefa 09ATEX0206X e IECEx BAS.09.0109X <b>IRmax</b> (con <b>IR Display</b> ): Baseefa 09ATEX0220X e IECEx BAS.09.0104X
Sicurezza funzionale	Omologato per l'uso in un sistema SIL 2. Numero di omologazione: Sira 12ATEX1206X
Norme	EN60079-0:2006, EN60079-1:2004, EN60079-29-1: 2007, EN61779 IEC61508: 2010, EN50402: 2005
Zone	Certificato per l'uso in Zona 1 o Zona 2
EMC	EN50270

## 5. Accessori e ricambi

Numeri di parte	Nome	Descrizione
M041007	Cappuccio di calibrazione	Si monta sulla copertura anti-intemperie standard per eseguire la calibrazione quando la velocità del vento supera i 2 metri/secondo.
S012130	Kit staffa di montaggio	Consente il montaggio su parete o tubo da 50 mm. Non richiesto se il rilevatore <b>IRmax</b> viene montato su una scatola di giunzione preesistente.
S012152	Schermo solare/cono collettore	Può essere montato sul rilevatore <b>IRmax</b> per proteggerlo da temperature elevate causate dall'esposizione alla luce solare diretta e/o per estendere l'ingombro del rilevatore e rilevare gas più leggeri dell'aria (ad esempio, metano).
S012169	Kit montaggio condotta	Consente il monitoraggio in condotte da 300 mm a 3000 mm e con flussi d'aria compresi tra 2 m/s e 20 m/s.
S012996	Adattatore di flusso	Per applicazioni di campionamento dei gas.
S012827	Kit di comunicazione PC	Modulo, software e cavo di comunicazione per la configurazione del rilevatore.
M20: S012295 ½" NPT: S012296	Scatola di derivazione ausiliaria	Opzione di montaggio del rilevatore <b>IRmax</b> negli ambienti pericolosi.
C011210	Kit pulizia specchio	Contiene salviette IPA impregnate e un panno microfibra

### Ricambi del rilevatore IRmax

Per informazioni sui ricambi fare riferimento allo Schema 3 a pagina 117.



## 6. Diagnostica

### 6.1 Errori segnalati dal LED

IL LED montato sulla scheda a circuiti stampati del terminale può assistere l'operatore nell'individuazione dei guasti. La posizione del LED è illustrata nello Schema 7, pagina 123. La tabella sotto spiega come interpretare il guasto per ciascun tipo di lampeggio.

Comportamento LED	Stato rilevatore	Azione
Lampeggio regolare ogni secondo.	Funzionamento corretto.	
Acceso, brevi segnali acustici e spento.	Rilevatore in modalità di avvio.	Attendere 10 secondi.
Lampeggio veloce e irregolare.	Tensione di alimentazione troppo bassa o troppo alta.	Controllare che la tensione di alimentazione del rilevatore <b>IRmax</b> sia impostata correttamente. Effettuare la misurazione direttamente in corrispondenza dei terminali del rilevatore <b>IRmax</b> .
Sempre acceso.	Guasto, errore host o I-module.	Spegnere e riaccendere il rilevatore <b>IRmax</b> ; se il guasto persiste, rispedire a <b>Crowcon</b> .
Due lampeggi lunghi seguiti da un lampeggio corto.	Errore irreversibile; lampada o rilevatore guasto.	Rispedire a <b>Crowcon</b> .
Doppio lampeggio rapido ogni secondo.	Errore irreversibile, guasto modulo o configurazione.	Verificare la configurazione del rilevatore <b>IRmax</b> utilizzando kit di comunicazione PC software. Controllare l'alimentazione. Se il guasto persiste, rispedire a <b>Crowcon</b> .
Breve segnale acustico ogni secondo.	Sistema ottico oscurato.	Verificare finestrina e specchio e pulirli se necessario. Riazzare il rilevatore <b>IRmax</b> e verificare la calibrazione.

Altri guasti possono essere corretti solo rispedendo il rilevatore **IRmax** a **Crowcon** o a un tecnico di assistenza autorizzato.

### 6.2 Uscita analogica

Se il segnale analogico di uscita è fallito o se non è connesso ad un sistema di controllo o ad un resistore di carico, l'**IRmax** rimarrà in stato di Errore, e sul display IR (se presente) apparirà anche la scritta "Necessaria Manutenzione" (Service required). L'**IRmax** tiene sotto controllo attivo il segnale analogico di uscita 4-20mA per verificare che sia nel campo di valori giusto. Se il segnale è fuori specifica, il rilevatore si porta in modalità di errore e il segnale di uscita viene impostato su 1mA. Così, quando si esegue la verifica di un rivelatore, è essenziale che questo sia collegato ad un pannello di controllo o che un resistore di carico da 100Ω sia collegato fra i terminali '0 V' e 'Sig' (rivelatore impostato su modalità 'Source') o fra i terminali '0 V' e '+V' (rivelatore impostato su modalità 'Sink').

# 7. Configurazione Modbus RS485

## 7.1 Considerazioni generali

La presente sezione illustra l'utilizzo dei rilevatori **IRmax** in una configurazione Modbus. Per queste applicazioni è disponibile una versione con abilitazione RS485. È possibile collegare fino a 28 rilevatori **IRmax** in configurazioni a stella o a bus, come descritto di seguito.

I collegamenti al rilevatore **IRmax** versione RS485 devono essere effettuati mediante attacco a una scatola di derivazione ausiliaria (vedere Sezione 5 a pagina 128), piuttosto che mediante collegamento diretto del cablaggio al rilevatore.

Tenere presente che l'unità **IR Display** non può essere utilizzata con un rilevatore **IRmax** con abilitazione RS485.

La versione del rilevatore **IRmax** con abilitazione RS485 è dotata di cinque terminali di campo. Questi terminali sono:

1	Alimentazione positiva	Da 12 V a 30 V sopra 0 V
2	0 V	Ritorno e riferimento RS485
3	Segnale 4-20 mA	Segnale Source o Sink (opzionale)
4	RS485 B	Segnale differenziale RS485
5	RS485 A	Segnale differenziale RS485

I segnali sui terminali RS485 sono conformi allo standard EIA/TIA-485, pertanto la gamma della modalità comune è compresa tra -7V e +12V rispetto al terminale 0V.

Tenere presente che l'assegnazione della polarità dei segnali A e B non è unanime tra i produttori RS485. Se il collegamento non funziona in un modo, invertire i fili RS485 A e B. Non sussiste alcun rischio di effettuare un collegamento sbagliato.

Le impostazioni della comunicazione sono 9600 bps, due stop bit e no parity.

Al momento di creare l'interfaccia per un sistema di controllo, è importante considerare la quantità di tempo necessaria al sistema per raccogliere le informazioni da ciascun rilevatore. La velocità massima di raccolta dei dati da più rilevatori è 14 rilevatori al secondo, ma le condizioni pratiche possono ridurre questa velocità a 7 rilevatori al secondo. Spetta agli utenti verificare che la disposizione scelta consenta la rilevazione dei segnali di allarme entro limiti di tempo accettabili.

Inoltre, è importante controllare che il sistema sia in grado di erogare una potenza sufficiente a tenere in funzione tutti i rilevatori. Per calcolare la potenza richiesta in un collegamento a bus lineare vedere Sezione 7.3, **Considerazioni generali**, pagina 132.

Per istruzioni dettagliati relative al Modbus contattare **Crowcon** (all'indirizzo riportato a tergo).

## 7.2 Topologia di collegamento

Le due topologie di collegamento comunemente usate sono a stella e a bus lineare.

### 7.2.1 Collegamento a stella

Nella topologia a stella, tutti i rilevatori sono collegati a un nodo centrale, normalmente rappresentato dal quadro di comando. Nessun cavo deve avere più di 5 anime in quanto tutti i collegamenti dei segnali da 4-20mA fanno direttamente capo al quadro di comando.

I segnali RS485 A e B possono essere collegati insieme nel punto a stella. Il bus deve essere terminato nel punto a stella con un'unica resistenza di terminazione da 110 ohm.

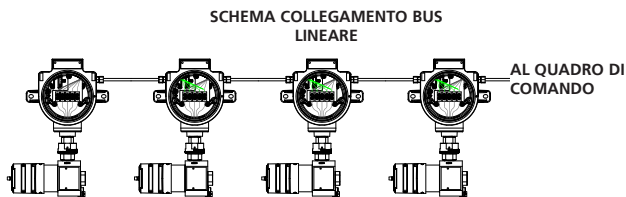
La lunghezza di ciascun raggio della stella non deve essere maggiore a 750 metri.

### 7.2.2 Collegamento a bus lineare

Nella topologia a bus tutti i rilevatori **IRmax** sono collegati secondo una disposizione lineare, normalmente con il quadro di comando ad un'estremità. Una situazione classica è rappresentata dall'installazione a tunnel, con i rilevatori **IRmax** installati a intervalli regolari (vedere Schema 9 sotto).

Per collegare l'installazione occorre montare due resistenze di terminazione da 110 ohm alle due estremità fisiche del bus.

Poiché i segnali da 4-20mA non possono essere condivisi, occorre installare un conduttore aggiuntivo per ciascun nodo intermedio. Se non viene utilizzato nessuno dei segnali da 4-20mA, questa installazione richiede solo quattro conduttori.



Schema 9

### 7.3 Requisiti di cablaggio

#### 7.3.1 Calcolo del livello minimo di potenza richiesto

Quanti più rilevatori **IRmax** sono collegati al bus lineare, tanto maggiore la potenza richiesta per alimentare il sistema. Per calcolare la potenza richiesta per una data configurazione, è necessario conoscere la resistenza dei cavi tra ciascuna coppia di rilevatori **IRmax**. Occorre calcolare una corrente di almeno 0,1mA per ciascun nodo intermedio tra rilevatori. La tensione da erogare può essere calcolata stimando la caduta di tensione per ciascun nodo intermedio – alla fine devono restare almeno 12V per garantire il corretto funzionamento dell'ultimo rilevatore **IRmax**.

Contattare **Crowcon** per richiedere consulenze relative a casi specifici oppure seguire la procedura riportata sotto ed eseguire il semplice calcolo illustrato nella sezione successiva.

1. La tensione non deve scendere al di sotto di 12V, pertanto si raccomanda di iniziare il calcolo impostando su questo valore la tensione dell'ultimo rilevatore **IRmax** della linea.
2. Ciascun rilevatore **IRmax** può assorbire fino a 0,1 A. Calcolare la perdita di tensione del cavo del primo nodo intermedio tra rilevatori assumendo che la 'corrente aggregata' sia pari a 0,1A e moltiplicando questo valore per la resistenza del cavo del nodo intermedio tra l'ultimo e il penultimo rilevatore **IRmax**.
3. Aggiungere questa caduta di tensione ai 12V iniziali per ottenere la tensione minima accettabile al penultimo rilevatore **IRmax**. Aggiungere 0,1A al valore della 'corrente aggregata' per arrivare a 0,2mA, la corrente minima che alimenta il penultimo nodo intermedio del bus. Moltiplicando questo valore per la resistenza del cavo per il penultimo nodo intermedio si ottiene la caduta di tensione successiva.
4. Ripetere questa procedura per ciascun rilevatore **IRmax**, accumulando le cadute di tensione che si verificheranno tra ciascun rilevatore **IRmax**.
5. Non superare la tensione massima di 30V dei rilevatori.

#### 7.3.2 Esempio di calcolo

A titolo esemplificativo, la tabella seguente riporta i risultati del calcolo per sei rilevatori **IRmax** equidistanti installati a una distanza di 250m su un cavo di sezione pari a 1 mm<sup>2</sup>. Ciascun nodo intermedio ha una resistenza di 4,6 ohm.

Stazione	Tensione di alimentazione	Corrente di alimentazione
1	12	0,1 A
2	12,46	0,2 A
3	13,38	0,3 A
4	14,76	0,4 A
5	16,6	0,5 A
6	18,9	0,6 A
Alimentazione quadro	21,66	0,6 A

# 8. Manuale della sicurezza funzionale

## 8.1 Introduzione

Le sezioni seguenti contengono informazioni relative all'omologazione del rilevatore IRmax in base alle norme di sicurezza funzionale IEC 61508 e EN 50402. Queste informazioni riguardano le caratteristiche riportate nel dossier di sicurezza e nei requisiti e dati di manutenzione per consentire l'integrazione del rilevatore IRmax in un sistema strumentale di sicurezza (SIS).

## 8.2 Funzione di sicurezza IRmax e IRmax Modbus

Per la misurazione della concentrazione di gas infiammabili e l'indicazione della misurazione mediante un'uscita 4-20mA.

I guasti relativi alla funzione di sicurezza vengono rilevati dall'hardware e dal relativo firmware. Tali guasti saranno rilevati come un segnale di uscita inferiore a 3,6mA o superiore a 21mA.

## 8.3 Dati di sicurezza funzionale

Nome parametro	Simbolo	Equazione / sorgente	IRmax
Intervallo test funzionale	T1	Secondo istruzioni Crowcon.	8.760 ore (annuale)
Tempo medio alla riparazione	MTTR	Secondo istruzioni Crowcon.	8 ore
Tipo A/B	Tipo A	Secondo istruzioni Crowcon.	Tipo B
Guasti totali:	$\lambda$	Da FMEDA	1.04E-05
Guasti sicuri diagnosticati:	$\lambda_{SD}$	Da FMEDA	1.95E-08
Guasti sicuri non diagnosticati:	$\lambda_{SU}$	Da FMEDA	8.59E-08
Guasti pericolosi diagnosticati:	$\lambda_{DD}$	Da FMEDA	9.74E-06
Guasti pericolosi non diagnosticati:	$\lambda_{DU}$	Da FMEDA	5.06E-07
Guasti senza effetti per la sicurezza:	$\lambda_{NE}$	Da FMEDA	3.21E-09
Copertura diagnostica:	DC	$\lambda_{DD} / (\lambda_{DU} + \lambda_{DD})$	95.06%
Frazione dei guasti sicuri:	SFF	$(\lambda_{SD} + \lambda_{SU} + \lambda_{DD}) / \lambda$	95.11%
Indisponibilità equivalente per canale	$t_{CE}$	$(\lambda_{DU} / \lambda_D)(T/2 + MTTR) + (\lambda_{DD} / \lambda_D) MTTR$	2.24E+02
PFD <sub>AVG</sub> (usando l'equazione 61508-6)	PFD <sub>AVG</sub>	$(\lambda_{DU} + \lambda_{DD}) t_{CE}$	2.30E-03
PFD <sub>AVG</sub> (usando l'equazione semplificata)	PFD <sub>AVG</sub>	$\lambda_{DU} (T / 2 + MTTR) + (\lambda_{DD} MTTR)$	2.30E-03
PFD <sub>AVG</sub> (usando l'equazione IEC 61508-6)	PFD <sub>AVG</sub>	$1 - e^{-(\lambda_{DD} + \lambda_{DU}) t_{CE}}$	2.30E-03
Capacità SIL (modalità a domanda bassa)			<b>SIL2</b>
Capacità SIL (modalità a domanda alta)			<b>SIL2</b>

Per quanto concerne i guasti hardware casuali e la frazione di guasti sicuri nelle applicazioni a domanda bassa, tutte le varianti del sistema risultano adatte all'uso nelle applicazioni SIL 2.

## 8.4 Configurazione dell'hardware

Per la valutazione del livello di integrità della sicurezza dell'hardware è stata adottata la Route 1H (tolleranza ai guasti hardware e frazione dei guasti sicuri).

## 8.5 Configurazione del software

La valutazione del firmware del prodotto è stata effettuata conformemente ai requisiti stabiliti dalla norma IEC 61508:3 2010.

## 8.6 Guasti sistematici

Per la conformità ai requisiti di prevenzione dei guasti sistematici è stata adottata la Route 15 (come stabilito dalla norma IEC 61508:2 2010 paragrafo 7.4.2.2c).

## 8.7 Intervallo diagnostico

La maggior parte delle funzioni diagnostiche vengono monitorate continuamente.

Le verifiche del sistema watchdog devono essere eseguite durante il test funzionale annuale spegnendo e riaccendendo lo strumento: IRmax deve essere sottoposto a un ciclo di accensione e spegnimento una volta l'anno (scollegando l'alimentazione 24Vcc e ricollegandola), come previsto nel programma di manutenzione del prodotto (leggere anche la sezione 3.2).

## 8.8 Limiti

Le percentuali di guasto sono costanti.

Eventuali guasti non rilevati saranno registrati dal test funzionale da eseguirsi almeno una volta l'anno.

Eventuali guasti non rilevati saranno registrati dal test funzionale da eseguirsi almeno una volta l'anno.

Si presume che l'utente utilizzi la funzionalità diagnostica fornita mediante l'accessorio del display IR e/o l'interfaccia PC per ridurre l'indisponibilità potenziale del prodotto.

La valutazione dell'affidabilità è una procedura statistica usata per applicare i dati storici dei guasti alle configurazioni e ai design proposti. Pertanto, questa valutazione fornisce un target/stima credibili della probabile affidabilità dell'apparecchiatura, presumendo che le condizioni di fabbricazione, progettazione e funzionamento siano identiche a quelle usate per la raccolta dei dati. Questa utile tecnica di verifica in fase di progettazione consente di confrontare design alternativi, stabilendo target prestazionali per ordine di grandezza e valutando i possibili effetti prodotti da modifiche apportate al progetto. Gli effettivi valori previsti, tuttavia, non possono essere garantiti in quanto il numero preciso di guasti che si verificheranno su campo dipende da molti fattori al di fuori del controllo di un mero esercizio predittivo.

Per le finalità di questa previsione, si presuppone che i tassi di guasto (simbolo  $\lambda$ ) siano costanti nel tempo. I guasti precoci e di usura ridurrebbero l'affidabilità, tuttavia si presuppone che vengano eliminati rispettivamente mediante burn in e sostituzione preventiva.

La probabilità di guasto a richiesta corrisponde alla probabilità che il sistema entri in stato di guasto in un momento qualunque. Questa espressione è sinonimo di indisponibilità in stato stazionario, calcolata come:

$$\text{Indisponibilità} = (\lambda \times \text{MDT}) / (1 + (\lambda \times \text{MDT}))$$

che approssima  $\lambda \times \text{MDT}$  per valori bassi di  $\lambda \times \text{MDT}$

dove  $\lambda$  è il tasso di guasto e MDT è la durata media di indisponibilità.

Questo valore è confermato dall'espressione per la disponibilità, calcolata come:  $\text{MTBF} / (\text{MTBF} + \text{MDT})$

I tassi di guasto adottati, e pertanto le disponibilità derivate, sono valori verosimilmente associati a un design comprovato dopo un periodo di affidabilità della crescita di durata idonea.

## 8.9 Ambientale

Limiti ambientali:

Il prodotto deve essere utilizzato entro un intervallo massimo di temperatura compreso tra -40°C e +75 °C

Il prodotto deve essere utilizzato entro un intervallo massimo di temperatura compreso tra -40°C e +80 °C

Il prodotto deve essere utilizzato entro un intervallo massimo di umidità relativa ambiente compreso tra 0% e +100 % di condensa

Il prodotto ha una protezione di ingresso di classe IP66 conformemente alle definizioni contenute nella norma EN60529.

Il prodotto è progettato per il funzionamento continuo.

## 8.10 Tolleranza ai guasti hardware

L'HFT è 0.

## 8.11 Capacità sistematica

IREX/IRmax appartiene alla Classe SC2.

## 8.12 Classificazione

IREX/IRmax è un componente di tipo B.

# Garanzia

---

Prima della spedizione al cliente, questo apparecchio è stato sottoposto a test completi e a calibrazione. Se, entro il periodo di garanzia o tre anni dalla consegna, l'apparecchio risultasse difettoso per ragioni imputabili a difetti di lavorazione o materiali, ci impegniamo a nostra discrezione a provvedere alla sua riparazione o sostituzione senza ulteriori addebiti al cliente, fatte salve le condizioni riportate di seguito.

## Procedura per i reclami in garanzia

Per consentire una gestione più efficiente dei reclami in garanzia, si prega di chiamare il team di assistenza clienti **Crowcon** al numero +44 (0)1235 557711 indicando i dati seguenti:

nome, numero di telefono, numero di fax e indirizzo e-mail;

descrizione e quantità delle merci da rispedire, compresi eventuali accessori.

numero(i) di matricola;

Reason for return.

Munirsi di un modulo di restituzione per consentire l'identificazione e la tracciabilità dell'apparecchio. Questo modulo può essere scaricato dal nostro sito web 'crowconsupport.com' insieme all'etichetta per la restituzione. In alternativa, rivolgersi a **Crowcon** per richiedere l'invio di una copia tramite e-mail.

**Non si accettano resi in garanzia non accompagnati dall'apposito codice CRN rilasciato da Crowcon. È essenziale che l'etichetta con l'indirizzo sia correttamente attaccata all'imballaggio esterno della merce resa.**

La garanzia sarà invalidata qualora si rilevi che l'apparecchio è stato alterato, modificato, smontato o manomesso. La garanzia non copre danni causati dall'utilizzo inadeguato o improprio dell'apparecchio.

## Limitazione di garanzia

**Crowcon** declina qualunque responsabilità per perdite o danni consequenziali o indiretti (ivi compresi perdite o danni conseguenti all'utilizzo dell'apparecchio) ed esclude espressamente qualunque responsabilità verso terzi.

La presente garanzia non copre la precisione di calibrazione dell'apparecchio o la finitura cosmetica del prodotto. L'apparecchio deve essere sottoposto a manutenzione conformemente alle istruzioni contenute nel relativo manuale d'uso e manutenzione.

La garanzia delle parti di ricambio (p. es. specchio) fornite in sostituzione di elementi difettosi in garanzia è limitata al termine di validità della garanzia dell'apparecchio originariamente fornito.

**Crowcon** si riserva il diritto di ridurre o declinare il periodo di garanzia dei sensori se destinati all'impiego in ambienti o applicazioni che li espongono a rischi noti di usura o danneggiamento dei sensori.

La responsabilità di **Crowcon** in caso di apparecchiature difettose è limitata agli obblighi previsti dalla presente garanzia; entro i limiti consentiti dalla legge, **Crowcon** declina qualunque garanzia estesa, condizione o dichiarazione – espressa o implicita, prevista per legge o di altro genere – relativa alla qualità commerciabile dell'apparecchiatura o alla sua idoneità a scopi particolari. La presente garanzia non limita i diritti del cliente previsti per legge.



**Crowcon** si riserva il diritto di addebitare le spese di spedizione e consegna qualora l'apparecchiatura resa come difettosa richieda solo un normale intervento di calibrazione o manutenzione e il cliente non dia il proprio consenso a procedere.

Per qualunque richiesta relativa alla garanzia e all'assistenza tecnica contattare:

### **Customer Support**

**Tel: +44 (0) 1235 557711**

**Fax: +44 (0) 1235 557722**

**Email: [customersupport@crowcon.com](mailto:customersupport@crowcon.com)**



# Inhoud

Concept en veiligheid .....	141
<b>IRmax</b> detector concept .....	141
Veiligheidsinformatie .....	142
Productoverzicht .....	143
1. Inleiding .....	144
1.1 Algemeen .....	144
1.2 Productbeschrijving .....	144
2. Installatie .....	146
WAARSCHUWING .....	146
2.1 Locatie .....	146
2.2 Montage .....	147
2.3 Bekabeling rechtstreeks naar de <b>IRmax</b> detector .....	147
2.3.1 Plaats van klemmen .....	148
2.3.2 De <b>IRmax</b> detector installeren met een montagebeugel .....	148
2.4 Installatie met een ringpakking en extra junction box .....	149
2.4.1 De <b>IRmax</b> detector op een extra junction box bevestigen: .....	150
2.5 Kabelvereisten .....	150
2.6 Aansluitingen en instellingen .....	151
3. Bediening .....	152
3.1 Inbedrijfstelling .....	152
3.2 Routineonderhoud .....	153
3.3 Gassoorten wijzigen .....	153
3.4 Relatieve respons van gassoorten .....	154
4. Specificatie .....	155
5. Accessoires en reserveonderdelen .....	156
6. Problemen oplossen .....	157
6.1 Fouten signaleerd door LED .....	157
6.2 Analoge uitgang .....	157
7. Configuratie RS485 Modbus .....	158
7.1 Algemeen .....	158
7.2 Bedradingstopologie .....	159
7.2.1 Steraansluiting .....	159
7.2.2 Lineaire busaansluiting .....	159
7.3 Bekabelingsvereisten .....	160
7.3.1 Berekenen van de minimum vereiste stroom .....	160
7.3.2 Voorbeeldberekening .....	160

8. Functionele veiligheidshandleiding.....	161
8.1 Inleiding.....	161
8.2 Modbus veiligheidsfunctie van IRmax en IRmax.....	161
8.3 Informatie over functionele veiligheid.....	161
8.4 Hardwareconfiguratie.....	162
8.5 Softwareconfiguratie.....	162
8.6 Systematische storingen.....	162
8.7 Diagnostisch interval.....	162
8.8 Beperkingen.....	162
8.9 Omgevingsfactoren.....	163
8.10 Hardwarestoringstolerantie.....	163
8.11 Systematische capaciteit.....	163
8.12 Classificatie.....	163
Garantie.....	164

## IRmax detector concept

De **IRmax** detector is een ultracompacte infrarood (IR) gasdetector die snel en faalveilig koolwaterstofgassen en -dampen detecteert.

Met een IR-sensor met dubbele golfengte in een robuuste 316 roestvrijstalen behuizing kan de **IRmax** detector in de zwaarste omstandigheden werken. In tegenstelling tot conventionele IR gasdetectors heeft de **IRmax** detector geen verwarmers om condensatie op ramen en spiegels te voorkomen. De STAY CLR coating op de optische componenten voorkomt condensatievorming als de detector in bedrijf is.

De **IRmax** detector is compatibel met een besturingssysteem van 4-20mA en kan ook geïnstalleerd worden in een RS485 Modbus netwerk (zie hoofdstuk 7).

De **IRmax** detector verbruikt slechts 1 Watt vermogen, typisch 75-90% minder dan conventionele IR gasdetectors.

De **IRmax** detector heeft een compacte diffusiekamer die, in combinatie met een effectieve weersbestendige kap, een uitmuntende responsnelheid geeft. De weersbestendige kap is ontworpen middels luchtstroomsoftware zodat kalibratie en gastoevoer op afstand van de detector mogelijk is gemaakt, zonder dat er een speciale kalibratiekap nodig is.

De het **IR Display** kunt u de uitlezingen van de **IRmax** zowel plaatselijk als op afstand bekijken. De **IR Display** kan direct op de **IRmax** worden gemonteerd. Als alternatief kan de **IRmax** compleet met een intrinsiek veilige IS-barrièremodule worden geleverd. De **IR Display** kan dan op de IS-barrièremodule worden aangesloten, via een tijdelijke of permanente kabelverbinding. De leverbare opties staan in Afbeelding 3 op pagina 145 weergegeven.

Voor nadere informatie over andere accessoires voor de **IRmax** wordt u verwezen naar Afbeelding 3 op pagina 145 en hoofdstuk 5, pagina 156.

## Veiligheidsinformatie

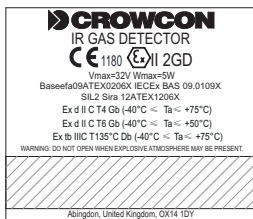
- De **IRmax** gasdetectors moeten in strikte overeenstemming met deze instructies, waarschuwingen en labelinformatie geïnstalleerd, bediend en onderhouden worden en binnen de vermelde beperkingen.
- De achterste moer op de **IRmax** detector moet tijdens bedrijf goed gesloten blijven. Probeer de achterste moer niet te verwijderen, totdat de stroom naar de detector afgesloten is. Anders kan een brandbare atmosfeer ontvlammen. Voordat de moer verwijderd wordt voor onderhoud of kalibratie, dient er gecontroleerd te worden of er geen brandbare gassen of dampen in de omliggende atmosfeer aanwezig zijn. Wacht een paar minuten nadat de stroom uitgeschakeld is, voordat de hij geopend wordt.
- Onderhoud en kalibratie mogen uitsluitend gedaan worden door bevoegd onderhoudspersoneel.
- Er mogen alleen echte **Crowcon** vervangingsonderdelen gebruikt worden; andere onderdelen kunnen de certificering en garantie van de **IRmax** detector ongeldig maken.
- De **IRmax** detector moet tegen extreme vibratie en direct zonlicht in warme omgevingen beschermd worden omdat hierdoor de temperatuur van de **IRmax** detector boven de gespecificeerde limiet kan stijgen en voortijdige storing kan veroorzaken.
- De **IRmax** detector detecteert geen waterstof, ammoniak of kooldioxide.
- De apparatuur moet geaard zijn met behulp van de kabelpakking en de gepantserde stalen kabel.
- Certificatie voor Zone 21/22, omgevingen met stof: IRmax basistoestel (zonder IR Display of IS Barrier module) kan worden gebruikt in omgevingen die explosiegevaarlijk stof bevatten (Zone 21 of 22).
- IRmax met een IS Barrier module kan worden gebruikt in Zone 21 of 22, zolang de omgevingstemperatuur lager is dan 40°C en er een extern IR-display of handheld IR-displays buiten de explosiegevaarlijke zone zijn geïnstalleerd of worden gebruikt.
- IRmax met een vast IR Display kan niet in een Zone 21 of 22 worden geïnstalleerd.

## Productoverzicht

De **IRmax** detector is een infrarood gasdetector ontworpen om gewone koolwaterstofgassen te detecteren in het bereik van 0 tot 100%LEL (onderste explosiegrens: de minimum concentratie in de lucht waarop ontvlaming kan ontstaan).

De **IRmax** detector is een gecertificeerde explosieveilige (Exd) detector, die gebruikt kan worden in gevaarlijke gebieden ATEX zone 1 of Zone 2. Bekijk het certificeringslabel aan de zijkant van de detector voor de soort certificering op het betreffende product.

**N.B.: Als er geen certificeringslabel op de IRmax detector zit, is de detector niet gecertificeerd voor gebruik in gevaarlijke gebieden.**



Certificatie-etiket voor het *IRmax* basismodel



Certificatie-etiket voor *IRmax* met *IS Barrier*



Certificatie-etiket voor *IRmax* met vast *IR Display*



Detectors die zijn gecertificeerd voor gebruik in Brazilië



Afbeelding 1: *IRmax* detector certificeringslabels

# 1. Inleiding

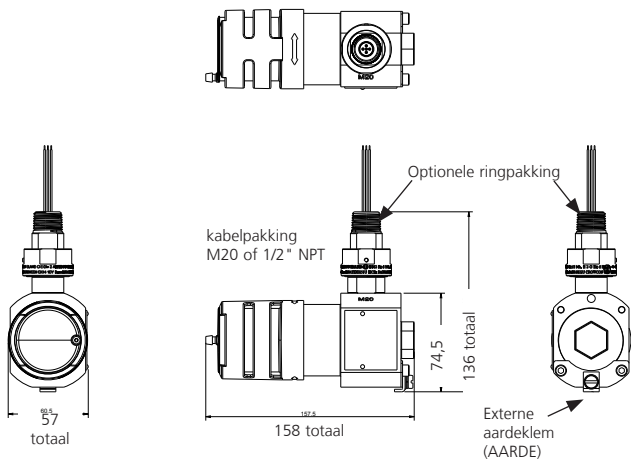
## 1.1 Algemeen

De configuratie van elke **IRmax** detector wordt aangegeven door een label op het huis. Als u contact opneemt met **Crowcon** voor advies of reserveonderdelen, vermeldt dan het onderdeelnummer en het serienummer.

## 1.2 Productbeschrijving

De **IRmax** detector bestaat uit een huis van 316 roestvrij staal, een antistatisch weersbestendige kap over de optische delen en een gasmettingskamer en een elektronicagedeelte. Er kan ook een **IR Display** bevestigd worden. Instructies voor het aanbrengen van de **IR Display** staan in de handleiding bij de **IR Display** (M07061).

Er kan een optionele ringpakking geleverd worden, zodat de **IRmax** detector rechtstreeks op extra aansluitdozen aangesloten kan worden met een kabelinvoer van M20 of 1/2" NPT.

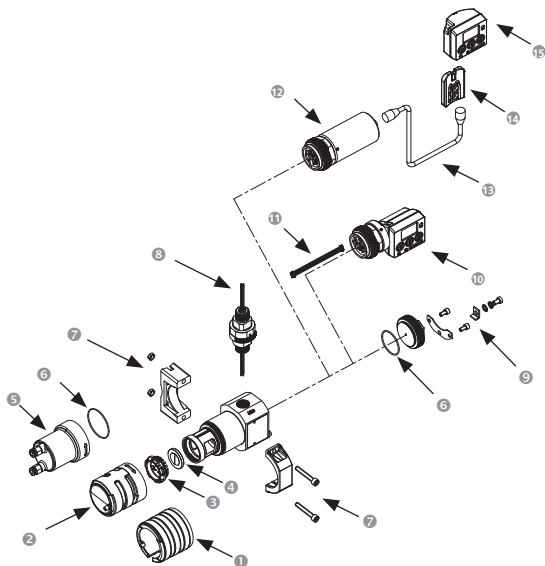


Alle afmetingen zijn in millimeters

Afbeelding 2: *IRmax* detector dimensionaal aanzicht

**N.B.:** De behuizing van de *IRmax* detector wordt met twee kabelingangen geleverd; één is M20, één is 1/2" NPT. De kabelingang die niet gespecificeerd is bij het bestellen van een *IRmax* detector wordt met een gecertificeerde plug afgesloten. De *IRmax* moet worden geïnstalleerd met twee afgedichte kabelingangen: één met een kabelpakking, de ander met een gecertificeerde afdichtplug met een IP66-certificaat.





Afbeelding 3: IRmax detector uitvergroot aanzicht (onderdeelnummers aangegeven, waar van toepassing)

- 1 Kalibratiekap M041007
- 2 Weersbestendige kap M04995
- 3 Spiegelborgring } Samen geleverd als 'spiegelvervangingsset'
- 4 Spiegel } C011206
- 5 Stroomadapter S012996
- 6 O-ring voor achtermoer, **IS Barrier** module voor vaste **IR Display** module: M040077
- 7 Montagebeugel (complete set) S012130
- 8 Kabelpakking M20 of 1/2" NPT: M20 ATEX: S012147, 1/2" NPT ATEX: S012190
- 9 Borgplaat en borgbouten voor achterplug, vast **IR Display** en **IS Barrier** module.
- 10 **IR Display** vaste versie
- 11 Connector **IR Display** naar **IRmax** detector E07987
- 12 IS-barrièremodule
- 13 Verbindings snoer **IR Display**
- 14 Montagefitting **Extern IR Display** M03833
- 15 **Extern IR Display**

## 2. Installatie

---

### WAARSCHUWING

- Deze detector is ontworpen voor gebruik in gevaarlijke gebieden van zone 1 en zone 2. De certificering is afhankelijk van de bevestigde accessoires en de omgevingstemperatuur. Zie de specificatietabel op pagina 155 voor informatie over de certificering. De installatie moet ook in overeenstemming zijn met de erkende normen van de betreffende instantie in het betrokken land.
- Neem voor meer informatie contact op met Crowcon. Voordat er met installeren begonnen wordt, moet ervoor gezorgd worden dat de plaatselijke voorschriften en fabrieksprocedures opgevolgd worden.
- De apparatuur moet geaard zijn via de kabelpakking en de gepantserde stalen kabel.
- Probeer geen IR Display te monteren aan een IRmax detector die niet voor dat doel geschikt is. Detectors die met een display gebruikt worden, zijn gecertificeerd Exd ia, en moeten hetzij met een vast display bediend worden met een IS-barrière, of met een extern of handdisplay dat via een IS-barrièremodule van Crowcon is aangesloten.
- Een IRmax detector die geleverd wordt zonder display, is gecertificeerd Exd IIC en deze kan niet met een IR Display gebruikt worden.

### 2.1 Locatie

De IRmax detector dient daar gemonteerd te worden waar het het meest waarschijnlijk is dat het de detecteren gas aanwezig is. De volgende punten dienen in gedachten te worden gehouden bij het plaatsen van gasdetectors:

- Om gassen te detecteren die lichter zijn dan lucht, zoals methaan, moeten detectors hoog geplaatst worden. Om gassen te detecteren die zwaarder zijn dan lucht, zoals brandbare dampen, moeten detectors laag geplaatst worden.
- Denk bij het plaatsen van detectors aan mogelijke schade die door de natuur veroorzaakt kan worden, zoals regen of overstroming. Voor detectors die buiten in zeer warme gebieden gemonteerd worden, beveelt **Crowcon** het gebruik van een zonnepan aan (Zie hoofdstuk 5, **Accessoires en reserveonderdelen**, op pagina 144).
- Denk ook aan toegang voor functietesten en onderhoud.
- Bedenk hoe het ontsnappende gas zich zal gedragen als gevolg van een natuurlijke of geforceerde luchtstroom. Monteer detectors in ventilatieleidingen indien van toepassing, gebruik hiervoor de **IRmax** detector leidingmontageset (Zie hoofdstuk 5, **Accessoires en reserveonderdelen**, op pagina 144).
- Denk aan de procesomstandigheden. Butaan is bijvoorbeeld normaliter zwaarder dan lucht, maar als het vrijkomt bij een proces dat op een verhoogde temperatuur en/of druk is, kan het gas stijgen in plaats van dalen.

De plaatsing van de sensoren dient bepaald te worden na advies van experts die specialistische kennis hebben van gasverspreiding en de verwerkingsapparatuur maar ook veiligheids- en technische kwesties.

## 2.2 Montage

De **IRmax** detector kan op drie manieren gemonteerd worden:

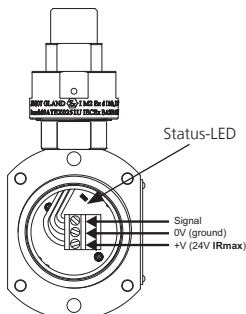
1. Met de **Crowcon** montagebeugel met een directe veldkabelaansluiting (uitsluitend 4-20mA bedrijf).
2. Met een ringpakking voor aansluiting op een bestaan junction box met Exe- of Exc-certificering. **Crowcon** levert een geschikte pakkingring als optionele extra accessoire (zie 3 hieronder)
3. Met de optionele extra junction box en ringpakking van **Crowcon**.

Optionele onderdelen staan in hoofdstuk 5 op pagina 156.

De **IRmax** detector dient op de gewenste locatie geïnstalleerd te worden met de sensorkop +/- 15° horizontaal (oriëntatie staat op Afbeelding 2 op pagina 144). Zo kan er geen vuil of water op de optische componenten ophopen.

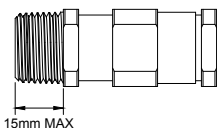
## 2.3 Bekabeling rechtstreeks naar de IRmax detector

Deze optie is alleen geschikt bij een werking van 4-20mA. Er is een **Crowcon** montagebeugel nodig om de detector op een muur of pijp van 50 mm te bevestigen..



Afbeelding 4: Veldkabelverbindingen op de **IRmax**

Sluit veldkabels op de behuizing van de **IRmax** detector aan met een gecertificeerde wartel via de gekozen kabelingang (M20 of 1/2" NPT). **Crowcon** beveelt aan dat de kabelwartel naar beneden wijzend geïnstalleerd worden.



Zorg ervoor dat er kabelpakkingen met de juiste Exd certificering gebruikt worden en dat de draadlengte niet langer is dan de in de afbeelding gespecificeerde lengte (links).

### 2.3.1 Plaats van klemmen

Met de **IRmax** in de richting van Afbeelding 2 op pagina 144 weergegeven (M20 kabelgang bovenaan) dient de 3-aderige veldkabel als volgt afgesloten worden met de verwijderbare connector:

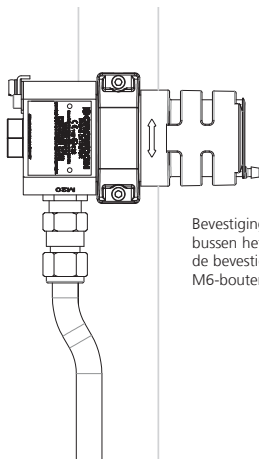
+24V onderaan, 0V in het midden, signaal bovenaan.

De 6-pins connector rechts van de printplaat is voor onderhoud en/of aansluiting van een **IR Display** module.

+ klem :	+ toevoer van de besturingskaart.
Sig klem:	Signaal van de besturingskaart.
0 V klem:	- toevoer van de besturingskaart.

### 2.3.2 De **IRmax** detector installeren met een montagebeugel

- De **IRmax** kan in plaats van met een ringpakking met een montagebeugel (S012130) geleverd worden, zodat hij rechtstreeks op veldkabels gemonteerd kan worden (zie Afbeelding 5).



Bevestigingsbeugel: 70 mm  
bussen het midden van  
de bevestigingen. Gebruik  
M6-bouten.

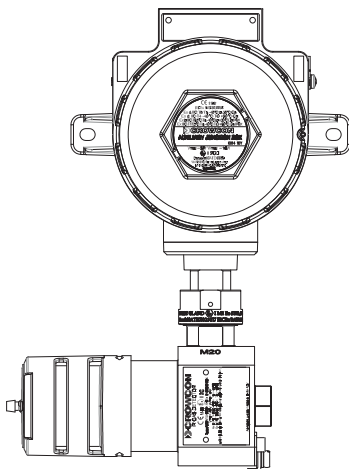
Afbeelding 5: De **IRmax** detector met een montagebeugel en kabelpakking

- Als de **IRmax** detector op een plat oppervlak gemonteerd wordt, markeer en boor dan twee gaten waarbij de montagebeugel als sjabloon gebruikt wordt. Bevestig twee delen van de beugel losjes vast met voor de muur/oppervlakte geschikte bevestigingsmiddelen.
- Verwijder de weersbestendige kap van de **IRmax** detector en schuif de behuizing van de detector door de beugel. Het wordt aanbevolen dat de behuizing van de **IRmax** detector geïnstalleerd wordt met de kabelgang naar beneden wijzend.

- d. Zet de twee beugelbevestigingen vast zodat de **IRmax** detector stevig op zijn plaats gehouden wordt. Plaats de weersbestendige kap weer terug.
- e. Als de **IRmax** detector stevig op zijn plaats zit, kan de achtermoer van de **IRmax** detector verwijderd worden zodat u bij de kabelklemmen kunt.
- f. Maak de veldkabel klaar – **Crowcon** beveelt een gepantserde stalen kabel van 1,5 mm<sup>2</sup> aan. Er kunnen andere kabelsoorten gebruikt worden, mits deze compatibel zijn met Exd gecertificeerde pakkingen. Bevestig een geschikte, gecertificeerde Exd kabelpakking, leid de kabelgeleiders door de behuizing van de **IRmax** detector en schroef de kabelpakking erin. Draai de pakking vast en zorg ervoor dat de kabelpantsering geaard is op de kabelpakking en de behuizing van de **IRmax** detector. **N.B.:** Vergeet niet de achtermoer weer terug te plaatsen nadat de kabel geïnstalleerd is.
- g. De borgplaat (item 9 op Afbeelding 3, pagina 145) moet goed vast zitten om te voorkomen dat de achtermoer (of het vaste IR Display of de IS Barrier module) losrilt.

### 2.4 Installatie met een ringpakking en extra junction box

Deze optie wordt gebruikt als de **IRmax** detector aangesloten moet worden op een bestaande Exd of Exe gecertificeerde extra junction box.



Afbeelding 6: *IRmax* detector aangesloten op extra junction box

## 2. Installatie

### 2.4.1 De IRmax detector op een extra junction box bevestigen:

- Verwijder voorzichtig het buitenste gedeelte van de ringpakking (onderdeel 8 in Afbeelding 3 op pagina 145).
- Schroef het smalle einde van de ringpakking in de extra junction box.
- Breng de **IRmax** detector bij de extra junction box en leid de draden door de behuizing naar de extra junction box. Zet de **IRmax** detector vast door de kraag stevig op de kabelpakking te schroeven. Draai de stifttap vast.
- De behuizing van de **IRmax** detector kan horizontaal tot elke hoek gedraaid worden, mits hij mechanisch goed vast zit. Hij belemmert andere apparatuur niet en hij kan vanuit deze positie ook onderhouden worden.
- Zie hoofdstuk 2.6 instructies over bedrading. Zie ook Afbeelding 4 (pagina 147).

## 2.5 Kabelvereisten

De bekabeling naar de **IRmax** detector moet in overeenstemming met de erkende normen van de betreffende instantie in het betrokken land zijn en voldoen aan de elektrische vereisten van de **IRmax** detector.

**Crowcon** beveelt het gebruik van een gepantserde, stalen kabel aan en er moeten geschikte, explosieveilige pakkingen gebruikt worden. Alternatieve bekabeling zoals stalen leidingen zijn acceptabel, mits voldaan wordt aan de betreffende normen.

De maximum aanbevolen kabellengte is 3,4 km (zie tabel 1).

De **IRmax** detector behoeft een gelijkstroomvoeding van 12-30Vdc. Zorg ervoor dat er minimaal 12V bij de **IRmax** detector is vanaf het besturingspaneel waarbij rekening gehouden wordt met een spanningsdaling vanwege kabelweerstand bij een piekstroom van 0,1mA.

Een kabel van 1,5mm<sup>2</sup> kan over het algemeen een kabellengte van maximaal 3,0 km aan. In tabel 1 staan de maximum kabelafstanden met typische kabelparameters.

Doorsnede	Weerstand	Max. Afstand >20 V	Max. Afstand 18 tot 20 V
mm <sup>2</sup>	(Ohm per km)	(km)	(km)
1,0	18,4	2,2	1,6
1,5	13,0	3,0	2,3
2,5	11,5	3,4	2,6

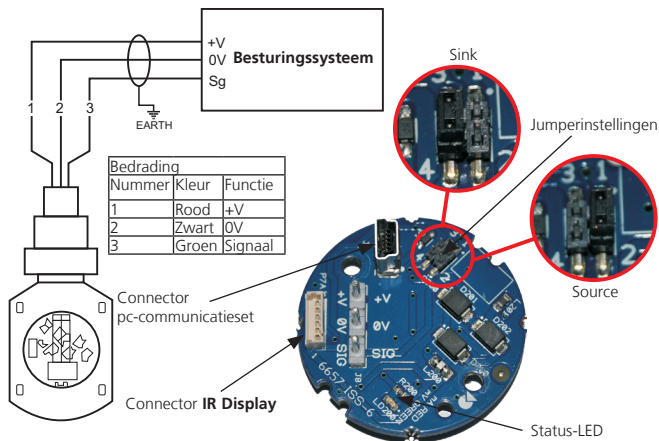
Tabel 1: maximum kabelafstanden voor standard kabels

## 2.6 Aansluitingen en instellingen

Alle beschreven aansluitingen hebben betrekking op het klemmenblok dat in de **IRmax** detector connector gemonteerd is. De klemmen op de printplaat van de **IRmax** detector connector zijn gemarkeerd met '+', 'sig' en '0 V'. Houd rekening met de juiste polariteit bij het aansluiten van de **IRmax** detector op besturingsapparatuur.

De **IRmax** detector is in de fabriek ingesteld als een 'verzamelstroom' (sink) apparaat, tenzij bij het bestellen anders is gespecificeerd. Om hem in te stellen op 'stroombron' (source), moet de achterplaat verwijderd worden en de twee verbindingen op de printplaat van de 'sink' (verzamel) positie naar de 'bron' (source) positie verplaatst worden, zoals weergegeven in Afbeelding 7.

**N.B:** De externe aardklem mag alleen gebruikt worden als de plaatselijke autoriteiten een dergelijke aansluiting toestaan of dit vereisen. Om waar mogelijk interferentie met radiofrequenties te vermijden moeten de extra junction box en kabelpantsering alleen bij het besturingspaneel (veilig gebied) geaard worden om aardlussen te vermijden.



Afbeelding 7: Jumperplaats sink/source

Het 4-20mA signaal kan ingesteld worden op 'sink' of 'source' met de pinnen en jumperverbinding zoals weergegeven in afbeelding 7. Instellen op 'sink' stroom door de jumper aan te sluiten op pennen 3 en 4, zoals aangegeven op de linkerfoto. Instellen op 'source' stroom door de jumper aan te sluiten op pennen 1 en 2, zoals aangegeven op de rechterfoto. De **IRmax** detectors staan op 'verzamelstroom' (sink) tenzij dit bij het bestellen anders is gespecificeerd.

**LED-indicatie:** op de printplaat is een LED gemonteerd om de huidige bedrijfsstatus aan te geven. Raadpleeg hoofdstuk 6 op pagina 157 voor nadere informatie.

### WAARSCHUWING

Voordat er werk uitgevoerd wordt, moet ervoor gezorgd worden dat de plaatselijke voorschriften en fabrieksprocedures opgevolgd worden. Probeer de IRmax detector of extra junction box nooit te openen als er brandbaar gas aanwezig is. Zorg ervoor dat het bijbehorende besturingspaneel geblokkeerd is om een vals alarm te voorkomen.

### 3.1 Inbedrijfstelling

1. Controleer of:
  - a. De kabelaansluitingen juist zijn
  - b. De toevoerspanning op de besturingskaart ingesteld is op 18 tot 30 V. De spanning die bij de klemmen van de IRmax detector gemeten wordt (binnen de Exe extra junction box, indien gebruikt, of bij de IRmax detector klemplaat) moet ingesteld zijn tussen 12 en 30V.
  - c. De verbindingen op de besturingskaart ingesteld zijn op 4-20mA sink of source, wat van toepassing is.
2. Als hij aangezet is, laat hem dan 30 minuten rusten voordat er geprobeerd wordt op nul in te stellen/te kalibreren. Deze vertraging is nodig om thermische stabiliteit te waarborgen. **(N.B: Vanaf 30 seconden nadat de stroom is aangezet, is de IRmax detector volledig operationeel.)**
3. Zorg voor schone lucht (d.w.z. geen koolwaterstofgas) voordat u op nul gaat instellen. Nullezing via besturingspaneel (zie instructies van besturingskaart).
4. Bevestig de kalibratiekap over de weersbestendige kap om de meetkamer af te sluiten van omgevingslucht. Zo'n kap is verkrijgbaar bij **Crowcon** (M041007). Sluit kalibratiegas aan (50% LEL nom) met een stroom van 1 liter per minuut.
5. Pas na 30 seconden de kal/corr op besturingskaart aan zodat het display 50% LEL weergeeft, of overeenkomst met de concentratie van het toegepaste kalibratiegas. De IRmax detector zelf hoeft niet gekalibreerd te worden.
6. Verwijder de gas- en kalibratiekap. Controleer de nul opnieuw.
7. Bij de installatie of als de spiegel vervangen is, kan de detector op nul ingesteld en gekalibreerd worden via een **IR Display** (zie pagina 141) of via een PC communicatieset (zie **IRmax accessoireshandleiding**).

**N.B: ATEX gecertificeerde IRmax detectors worden gekalibreerd geleverd zodat ze voldoen aan EN61779 (waar bijvoorbeeld 100% LEL methaan = 4,4% volume).**

**N.B: Het wordt aanbevolen dat bij de eerste inbedrijfstelling de kalibratiekap gebruikt wordt. Daaropvolgende kalibraties kunnen gedaan worden door gas extern op de weersbestendige kap via de pijprijng toe te passen (zodat er geen noodzaak is om direct toegang te hebben tot de IRmax detector). Er kan gekalibreerd worden zonder de kalibratiekap (d.w.z. rechtstreeks via de weersbestendige kap), mits de plaatselijke windsnelheid lager is dan 2 meter/seconde. De stroomsnelheid van het gas moet hoger zijn dan 2,0 liter/minuut.**



### 3.2 Routineonderhoud

De werkwijzen op uw locatie zullen de frequentie aangeven waarmee detectors getest moeten worden. **Crowcon** beveelt aan dat de **IRmax** minstens elke 6 maanden met gas getest wordt en zo nodig opnieuw gekalibreerd wordt. Om de **IRmax** detector opnieuw te kalibreren volgt u de stappen in 3.1.

In het geval van een elektronicastingoring dient u contact op te nemen met uw plaatselijke vertegenwoordiger van **Crowcon**.

- Kalibratie-interval: **Crowcon** beveelt aan dat er elke 12 maanden gekalibreerd wordt.
- Externe kalibratie via pijp: De windsnelheid moet lager zijn dan 2,0 meter per seconde. Als deze hoger is, moet de kalibratiekap gebruikt worden om gasverdunding te voorkomen.
- De optische delen reinigen: **Dit wordt niet aanbevolen**, tenzij de **IRmax** detector een belemmeringsfout aangeeft. Als het venster of de spiegel vuil worden, maak deze dan voorzichtig met water schoon. (Zie hoofdstuk 5, **Accessoires en reserveonderdelen** op pagina 156).
- Spiegels: Als de spiegel beschadigd is, moet een spiegelvervangingsset worden aangeschaft (Zie hoofdstuk 5, **Accessoires en reserveonderdelen** op pagina 156). Als de spiegel vervangen is, moet de **IRmax** detector altijd opnieuw op nul ingesteld en gekalibreerd worden.
- Als condensatie steringen veroorzaakt, vervang de spiegel dan (de optische laag kan beschadigd zijn). **Crowcon** beveelt aan dat de spiegel elke 5 jaar vervangen wordt.

### 3.3 Gassoorten wijzigen

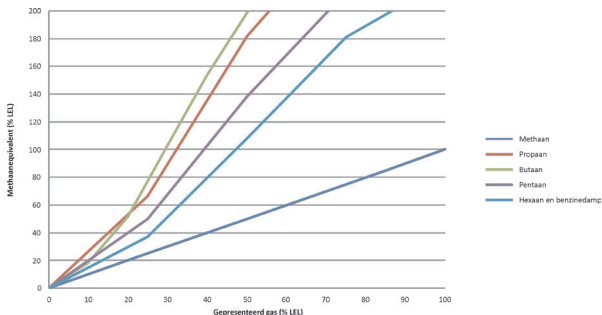
Elke **IRmax** detector wordt voorgekalibreerd geleverd voor een bepaald type gas (bijvoorbeeld methaan of propaan). Indien herkalibratie voor een ander soort gas nodig is, kan de **IRmax** opnieuw met de PC-communicatiekit geconfigureerd en daarna gekalibreerd worden (Zie hoofdstuk 5, **Accessoires en reserveonderdelen** op pagina 156).

## 3. Bediening

### 3.4 Relatieve respons van gassoorten

De onderstaande grafiek geeft de relatieve respons weer op andere gassoorten voor een IRmax detector die voor methaan gekalibreerd is.

**Opmerking:** veel koolwaterstofgassen en -dampen worden eerder door IR-detectoren opgemerkt dan methaan. De reactie van IRmax (en andere IR-gasdetectoren) is lineair over het 0-100% LEL-bereik van het doelgas (in dit voorbeeld methaan), maar is niet-lineair voor andere waterstoffen die ook aanwezig kunnen zijn.




Afbeelding 8

De grafiek geeft de respons weer van de bovengenoemde gassen: van links naar rechts, propan, butaan, pentaan en methaan.

Andere gassoorten en bereiken zijn beschikbaar. Neem contact op met **Crowcon** voor meer informatie.

## 4. Specificatie

Materiaal behuizing	316 roestvrij staal
Afmetingen (alleen detector)	150mm x 75mm x 66mm (zonder pakking)
Gewicht	<b>IRmax</b> 1,58 kg <b>IRmax</b> met vaste <b>IR Display</b> 2 kg <b>IRmax</b> met IS-barrièremodule 2,4 kg <b>Afstands-IR Display</b> 0,2 kg
Bedrijfsspanning	12Vdc tot 30V dc
Stroom	< 1 W
Uitvoer	3-dradig 4-20 mA (sink of source)
Storingssignaal	<1 mA
Maximale kabellusweerstand	80 Ohm (in relatie tot de -ve pool)
Bedrijfstemperatuur	-40°C tot +75°C
Vochtigheid	0–100% relatieve vochtigheid
Afdichting	IP66
Explosiebescherming	Brandveilig
Certificering ATEX 	<b>IRmax</b> (zonder <b>IR Display</b> ) II 2 GD Exd IIC T6 Gb Tamb = -40°C tot +50°C II 2 GD Exd IIC T4 Gb Tamb = -40°C tot +75°C II 2 GD Ex tb IIIC T135°C Db (-40°C ≤ Tas ≤ +75°C) <b>IRmax</b> met <b>IS Barrier</b> module (extern display) II 2 GD Exd ia IIC T4 Gb Tamb = -40°C tot +75°C Ex tb ia IIIC T135°C Db Tamb = -40°C tot +40°C <b>IRmax</b> met vast <b>IR Display</b> II 2 G Exd ia IIC T4 Gb (Tamb = -40°C tot +75°C)
Nr. veiligheidscertificaat ATEX en IECEx	<b>IRmax</b> (zonder <b>IR Display</b> ): Baseefa 09ATEX0206X en IECEx BAS.09.0109X <b>IRmax</b> (met <b>IR Display</b> ): Baseefa 09ATEX0220X en IECEx BAS.09.0104X
Functionele veiligheid	Gecertificeerd voor gebruik in een SIL 2-systeem. Certificaatnummer: Sira 12ATEX1206X
Normen	EN60079-0:2006, EN60079-1:2004, EN60079-29-1: 2007, EN61779 IEC61508: 2010, EN50402: 2005
Zones	Gecertificeerd voor gebruik in zone 1 of zone 2
EMC	EN50270

## 5. Accessoires en reserveonderdelen

Onderdeelnummers	Naam	Beschrijving
M041007	Kalibratiekap	Past over de standaard weerkap om te kunnen kalibreren als de plaatselijke windsnelheid hoger is dan 2 meter per seconde.
S012130	Montagebeugelset	Geschikt voor montage aan een muur of een pijp van 50 mm. Niet nodig als de <b>IRmax</b> detector gemonteerd wordt aan een bestaande extra junction box.
S012152	Zonnekap/ zonnecollector	Kan op de <b>IRmax</b> detector bevestigd worden om tegen verhoogde temperaturen vanwege direct zonlicht te beschermen en/of om de voetafdruk van de detector te verlengen om lichtere dan luchtgassen (methaan) te detecteren.
S012169	Leidingmontageset	Hiermee kunnen leidingen van 300 mm tot 3000 mm gecontroleerd worden en luchtstroom tussen 2 m/s en 20 m/s.
S012996	Stroomadapter	Voor toepassingen met gasmonsters
S012827	PC-communicatieset	Communicatiemodule, software en snoer om de detector te kunnen configureren.
M20: S012295 ½" NPT: S012296	Extra junction box	Montageoptie voor <b>IRmax</b> voor gebruik in gevaarlijk omgevingen.
C011210	Spiegelreinigingsset	Bevat met IPA doordrenkte doekjes en microvezeldoek

### IRmax detector reserveonderdelen

Zie Afbeelding 3 op pagina 145 voor gegevens over reserveonderdelen.

## 6. Problemen oplossen

### 6.1 Fouten gesignaleerd door LED

De LED die op de contactprintplaat zit, kan storingen helpen identificeren. Zijn positie is getoond in Afbeelding 7 op pagina 151. De onderstaande tabel toont hoe elk knipperpatroon moet worden uitgelegd.

LED-patroon	Detectorstatus	Actie
Elke seconde regelmatig knipperend.	Normaal.	
Aan met korte uitpauzes.	Detector bezig met opstarten.	Wacht 10 seconden.
Snel aan en uit knipperend of onregelmatig knipperpatroon	Toevoerspanning te laag of te hoog.	Controleer of de toevoerspanning naar de <b>IRmax</b> detector juist is ingesteld. Controleer of de meting direct bij de detectorklemmen gemaakt wordt.
Permanent aan.	Storing, fout bij host of i-module.	Laat de <b>IRmax</b> detector rusten, als de storing blijft, stuur hem dan terug naar <b>Crowcon</b> .
Twee keer lang knipperen, gevolgd door kort knipperen.	Fatale fout; fout in lamp of detector.	Stuur terug naar <b>Crowcon</b> .
Elke seconde snel dubbel knipperen.	Fatale fout, module- of configuratiefout.	Controleer de configuratie van de <b>IRmax</b> detector met de PC-communicatieset-software. Controleer de stroomtoevoer. Als de storing blijft, stuur hem dan terug naar <b>Crowcon</b> .
Elke seconde een korte piep.	Optische delen vuil.	Controleer venster en spiegel en maak zonodig schoon. Zet de <b>IRmax</b> detector opnieuw op nul en controleer de kalibratie.

Andere fouten kunnen gecorrigeerd worden door de **IRmax** detector naar **Crowcon** of een bevoegde agent te retourneren.

### 6.2 Analoge uitgang

**IRmax** blijft in de storingsstand staan en "Onderhoud nodig" (Service required) wordt op het **IR-display** weergegeven (indien aanwezig), als het analoge outputsignaal een storing vertoont of niet aangesloten is op een regelsysteem of belastingsweerstand. **IRmax** controleert op actieve wijze of het analoge outputsignaal van 4-20 mA binnen het bereik valt. Als het signaal buiten het bereik valt, geeft de detector een storing weer en wordt de output ingesteld op 1 mA. Dit betekent dat als een detector wordt getest, hij ofwel aangesloten moet zijn op een regelpaneel, of dat er een belastingsweerstand van 100  $\Omega$  aangesloten is tussen de '0V' en 'Sig' terminals (detector ingesteld op 'Source') of tussen de '0V' en '+V' terminals (detector ingesteld op 'Sink').

# 7. Configuratie RS485 Modbus

## 7.1 Algemeen

Deze paragraaf vertelt hoe de **IRmax** detector gebruikt moet worden in een Modbus-configuratie. Er is een RS485 versie verkrijgbaar voor dergelijke toepassingen. Er kunnen maximaal 28 **IRmax** detectors in een ster- of busconfiguratie verbonden worden, zie onder.

Aansluitingen op de RS485 versie van de **IRmax** detector moeten gemaakt worden via een ringpakking op een extra aansluitkast (zie hoofdstuk 5 op pagina 156), in plaats van de bekabeling rechtstreeks naar de **IRmax** detector te leiden.

Let wel dat het **IR Display** niet kan worden gebruikt met een RS485-geactiveerde **IRmax**.

De RS485 ingeschakelde versie van de **IRmax** detector heeft vijf veldklemmen. De klemmen zijn:

1	Positieve toevoer	12 V tot 30 V boven 0 V
2	0 V	Retour en RS485 referentie
3	4-20 mA signaal	Source of Sink signaal (optioneel)
4	RS485 B	RS-485 verschilsignaal
5	RS485 A	RS-485 verschilsignaal

De signalen op de RS485 klemmen voldoen aan de EIA/TIA-485 norm. Dit houdt in dat het algemene bereik met betrekking tot de 0V-klem van -7V tot +12V is.

Let op dat niet alle RS485 fabrikanten het eens zijn over de polariteit van de A- en B-signalen. Als de bedrading op de ene manier niet werkt, wissel de RS485 A- en B-draden dan om. Er bestaat geen risico als er een verkeerde aansluiting gemaakt wordt.

De communicatie-instellingen zijn 9600 bps, twee stopbits en geen pariteit.

Als er een interface samengesteld wordt voor een besturingssysteem, is het belangrijk de hoeveelheid tijd in overweging te nemen die het systeem nodig heeft om van elke detector informatie te verzamelen. De snelste snelheid waarmee meerdere detectors ontvangen kunnen worden is 14 detectors per seconde, praktische omstandigheden kunnen dit aantal verlagen tot 7 per seconde. Gebruikers moeten ervoor zorgen dat de opstelling alarmsignalen binnen een acceptabele tijdslimiet kan laten registreren.

Het is ook belangrijk ervoor te zorgen dat het systeem genoeg stroom kan leveren om alle detectoren te laten werken. Om de benodigde hoeveelheid stroom te berekenen voor een lineaire busaansluiting zie hoofdstuk 7.3, **Bekabelingsvereisten**, op pagina 160.

Neem voor volledige Modbus-instructies contact op met **Crowcon** (zie adressen op de achterzijde).

## 7.2 Bedradingstopologie

De twee algemeen gebruikte bedradingstopologieën zijn de steraansluiting en de lineaire bus.

### 7.2.1 Steraansluiting

In een steraangesloten topologie zijn alle detectoren aangesloten op een centraal punt. Dit is meestal het besturingspaneel. Geen enkele kabel heeft meer dan 5 kernen nodig omdat alle 4-20mA signaalaansluitingen direct naar het besturingspaneel gaan.

De RS485 A- en B-signalen kunnen dan allemaal samen aangesloten worden op het sterpunt. De bus moet dan op het sterpunt afgesloten worden met een enkele 110 Ohm afsluitweerstand.

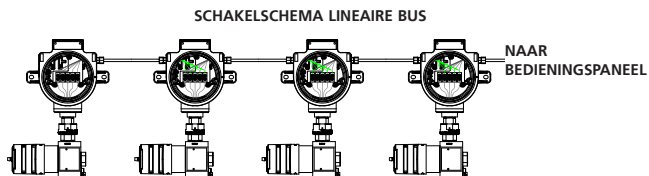
De lengte van elke arm van de ster mag niet langer zijn dan 750 meter.

### 7.2.2 Lineaire busaansluiting

In een busaangesloten topologie worden alle **IRmax** detectors via een lineaire opstelling aangesloten, meestal met het besturingspaneel aan één einde. Een klassieke situatie is een tunnelinstallatie, waarbij er op regelmatige afstanden een **IRmax** detector geïnstalleerd wordt (zie Afbeelding 9 hieronder).

Om de installatie te bedraden, bevestigt u twee 110 Ohm afsluitwestanden aan elk fysieke eind van de bus.

Omdat de 4-20mA signalen niet gedeeld kunnen worden, is er voor elke bedradingverbinding een extra conductor nodig. Als geen van de 4-20mA signalen gebruikt worden, dan zijn er slechts vier conductors nodig.



Afbeelding 9

## 7. Configuratie RS485 Modbus

### 7.3 Bekabelingsvereisten

#### 7.3.1 Berekenen van de minimum vereiste stroom

Hoe meer **IRmax** detectors er op de lineaire bus aangesloten zijn, hoe meer stroom er nodig is om het systeem te laten draaien. Om de benodigde stroom voor een bepaalde opstelling te berekenen, is het nodig om te weten wat de kabelweerstand is tussen elk paar **IRmax** detectors. Er is minimaal 0,1mA stroom nodig voor elke 'verbinding' tussen de **IRmax** detectors. De toe te passen spanning kan berekend worden door de spanningsdaling over elke 'verbinding' in te schatten. Aan het einde moet er nog minimaal 12V overblijven om de laatste **IRmax** detector goed te laten functioneren.

Neem voor specifieke gevallen contact op met **Crowcon**. Eventueel kunnen ook de onderstaande stappen gevolgd worden en de voorbeeldberekening in het volgende deel.

1. De spanning mag niet onder de 12V dalen. Begin dus de berekening door de spanning op de laatste **IRmax** detector in de lijn op die waarde in te stellen.
2. Elke **IRmax** detector kan tot 0,1A trekken. Bereken het kabelspanningsverlies van de eerste 'verbinding' tussen de **IRmax** detectors door ervan uit te gaan dat de 'totale stroom' 0,1A is en vermenigvuldig dit dan met de kabelweerstand van de 'verbinding' tussen de laatste en een na laatste **IRmax** detector.
3. Voeg deze spanningsdaling toe aan de 12V voor de laagste acceptabele spanning bij de een na laatste **IRmax** detector. Voeg 0,1A toe aan de waarde voor de 'totale stroom' om op 0,2mA uit te komen, de minimum stroom die door de een na laatste 'verbinding' van de bus loopt. Vermenigvuldig dit met de kabelweerstand voor de een na laatste 'verbinding' om de volgende spanningsdaling te krijgen.
4. Herhaal dit proces voor elke **IRmax** detector, waarbij de spanningsverliezen tussen elke detector vermeerderd worden.
5. De maximum detectorspanning van 30V mag niet overschreden worden.

#### 7.3.2 Voorbeeldberekening

Als voorbeeld geven we de resultaten van de berekening voor zes stuks **IRmax** detectors die 250 m van elkaar geplaatst zijn op een kabel met een dwarsdoorsnede van 1mm<sup>2</sup>. Elke 'verbinding' heeft een weerstand van 4,6 ohm.

Station	Toevoerspanning	Toevoerstrom
1	12	0.1 A
2	12.46	0.2 A
3	13.38	0.3 A
4	14.76	0.4 A
5	16.6	0.5 A
6	18.9	0.6 A
Stroom t.b.v. paneel	21.66	0.6 A



# 8. Functionele veiligheidshandleiding

## 8.1 Inleiding

De volgende delen verschaffen informatie over de certificatie van IRmax volgens de functionele veiligheidsnormen IEC 61508 en EN 50402. Er wordt informatie verstrekt over de functies voor veiligheid, onderhoud en data, zodat de IRmax geïntegreerd kan worden in een Safety Instrumented System (SIS).

## 8.2 Modbus veiligheidsfunctie van IRmax en IRmax

Concentratiemeting van een brandbaar gas en indicatie van de waarde via een 4-20 mA output.

Storingen van de veiligheidsfunctie worden opgemerkt door de hardware en de bijbehorende firmware. Ze worden weergegeven als een uitgangssignaal van minder dan 3,6 mA of meer dan 21 mA.

## 8.3 Informatie over functionele veiligheid

Naam van parameter	Symbol	Vergelijking / bron	IRmax
Proeftestinterval	T1	Zoals gedefinieerd door Crowcon.	8760 uur (jaarlijks)
Gemiddelde tijd voor reparatie	MTTR	Zoals gedefinieerd door Crowcon.	8 uur
Type A/B	Type A	Zoals gedefinieerd door Crowcon.	Type B
Totale storingen:	$\lambda$	Van FMEDA	1.04E-05
Veilige gediagnosticeerde storingen:	$\lambda_{SD}$	Van FMEDA	1.95E-08
Veilige niet-gediagnosticeerde storingen:	$\lambda_{SU}$	Van FMEDA	8.59E-08
Gevaarlijke gediagnosticeerde storingen:	$\lambda_{DD}$	Van FMEDA	9.74E-06
Gevaarlijke niet-gediagnosticeerde storingen:	$\lambda_{DU}$	Van FMEDA	5.06E-07
Veilige storingen zonder effect:	$\lambda_{NE}$	Van FMEDA	3.21E-09
Diagnostische dekking:	DC	$\lambda_{DD} / (\lambda_{DU} + \lambda_{DD})$	95.06%
Fractie veilige storingen:	SFF	$(\lambda_{SD} + \lambda_{SU} + \lambda_{DD}) / \lambda$	95.11%
Fractie veilige storingen:	$t_{CE}$	$(\lambda_{DU} / \lambda_{D}) (T/2 + MTTR) + (\lambda_{DD} / \lambda_{D}) MTTR$	2.24E+02
PFDAVG (met gebruik van 61508-6 vergelijking)	$PFDAVG$	$(\lambda_{DU} + \lambda_{DD}) t_{CE}$	2.30E-03
PFDAVG (met een vereenvoudigde vergelijking)	$PFDAVG$	$\lambda_{DU} (T / 2 + MTTR) + (\lambda_{DD} MTTR)$	2.30E-03
PFDAVG (met gebruik van IEC 61508-6 vergelijking)	$PFDAVG$	$1 - e^{-(\lambda_{DD} + \lambda_{DU}) t_{CE}}$	2.30E-03
SIL-capaciteit (stand voor weinig vraag)			<b>SIL2</b>
SIL-capaciteit (stand voor hoge vraag)			<b>SIL2</b>

**Voer toepassingen met weinig vraag en gezien willekeurige hardwarestoringen en fractie veilige storingen**, zijn alle systeemvarianties geschikt voor gebruik in SIL 2-toepassingen.

## 8.4 Hardwareconfiguratie

Route 1H (hardwarestoringstolerantie en fractie veilige storingen) is gebruikt om het integriteitsniveau van de hardware te beoordelen.

## 8.5 Softwareconfiguratie

De productfirmware is beoordeeld op basis van de vereisten van IEC 61508:3 2010.

## 8.6 Systematische storingen

Route 1S (zoals gespecificeerd in IEC 61508:2 2010 paragraaf 7.4.2.2c) wordt gebruikt voor naleving met de vereisten om systematische storingen te voorkomen.

## 8.7 Diagnostisch interval

De meeste diagnostische functies worden voortdurend gemonitord.

Testen van de systeembewaker moeten worden uitgevoerd tijdens de jaarlijkse proeftest door een rustfase in te lassen: de IR<sub>max</sub> moet elk jaar een rustfase doorlopen (door het verwijderen en weer aansluiten van de 24 Vdc stroomtoevoer) als onderdeel van het onderhoudsprogramma voor het product (raadpleeg ook deel 3.2).

## 8.8 Beperkingen

Storingsfrequentie is constant.

Een proeftest die minstens eenmaal per jaar wordt uitgevoerd wijst op alle verborgen storingen.

Reparaties duren gemiddeld 8 uur.

Aangenomen wordt dat de gebruiker de diagnostische voorziening gebruikt die wordt geleverd via het IR Display en/of de pc-interface om de mogelijke stilstand te minimaliseren.

De betrouwbaarheidsbeoordeling is een statistisch proces voor toepassing van historische storingsdata op de voorgestelde designs en configuraties. Dit levert een geloofwaardig doel of een goede schatting van de waarschijnlijke betrouwbaarheid van de apparatuur, als de productie, het design en de bedrijfsomstandigheden identiek zijn aan die van de apparatuur waarvan de gegevens zijn verzameld. Dit is een waardevolle techniek voor het vergelijken van alternatieve designs, het vaststellen van de orde van grootte van de prestatietargets en het evalueren van de mogelijke gevolgen van designwijzigingen. De eigenlijke voorspelde waarden kunnen echter niet worden gegarandeerd, omdat het exacte aantal veldstoringen afhangt van veel factoren die niet gecontroleerd kunnen worden.

Aangenomen wordt dat de storingsfrequentie (symbool  $\lambda$ ), voor het doel van deze prognose, over tijd constant is. Zowel vroege als slijtagestoringen reduceren de betrouwbaarheid, maar aangenomen wordt dat dergelijke storingen worden voorkomen door inbranden en preventieve vervanging.

De storingswaarschijnlijkheid op aanvraag is de waarschijnlijkheid dat het systeem op een willekeurig moment een storing vertoont. Dit is synoniem aan de permanente onbeschikbaarheid, die wordt aangegeven door:

$$\text{Onbeschikbaarheid} = (\lambda \times \text{MDT}) / (1 + (\lambda \times \text{MDT}))$$

die ongeveer gelijk is aan  $\lambda \times \text{GST}$  voor kleine waarden van  $\lambda \times \text{GST}$

waarbij  $\lambda$  de defectfrequentie is en GST de duur van de gemiddelde stilstand.

Dit komt overeen met de formule voor beschikbaarheid:  $\text{MTBF} / (\text{MTBF} + \text{MDT})$

De gebruikte defectfrequenties en de verkregen beschikbaarheidswaarden kunnen worden toegepast op een goed bewezen design, na een geschikte periode van betrouwbaarheidstoename.

## 8.9 Omgevingsfactoren

Beperkingen door omgevingsfactoren:

Het product moet worden gebruikt bij een maximaal omgevingstemperatuurbereik van -40°C tot +75°C

Het product moet worden opgeborgen bij een maximaal omgevingstemperatuurbereik van -40°C tot +80°C

Het product moet worden gebruikt bij een maximaal relatief vochtigheidsbereik van 0% tot +100% condenserend

Het product heeft een beschermingsklasse van IP66, volgens de definities van norm EN60529.

Het product is ontworpen voor een voortdurende werking.

## 8.10 Hardwarestoringstolerantie

De HST is 0.

## 8.11 Systematische capaciteit

De IREX/IRmax heeft Klasse SC2.

## 8.12 Classificatie

De IREX/IRmax is een component van type B.

# Garantie

---

Deze apparatuur verlaat onze fabriek volledig getest en gekalibreerd. Als binnen de garantieperiode van drie jaar na verzending blijkt dat de apparatuur defect is als gevolg van een fout in vakmanschap of materiaal, zullen we het repareren of kosteloos vervangen, onderhevig aan de onderstaande voorwaarden.

## Garantieprocedure

Om een claim zo efficiënt mogelijk te kunnen verwerken, kunt u contact opnemen met ons ondersteuningsteam op +44 (0)1235 557711 met de volgende informatie:

Uw naam, telefoonnummer, faxnummer en e-mailadres.

Beschrijving en aantal van de te retourneren goederen, waaronder eventuele accessoires.

Serienummer(s) van het instrument.

Reden voor retourneren.

Vraag om een retourformulier voor identificatie en vindbaarheid. Dit formulier kan vanaf onze website 'crowconsupport.com' gedownload worden, samen met een retourolabel. We kunnen eventueel ook een exemplaar e-mailen.

**Een IRmax detector wordt zonder een Crowcon retournummer niet onder garantie geaccepteerd. Het is essentieel dat het adreslabel stevig bevestigd is aan de buitenverpakking van de te retourneren goederen.**

De garantie wordt ongeldig als blijkt dat het instrument gewijzigd, gemodificeerd, ontmanteld is of als er op andere wijze mee geknoeid is. De garantie dekt geen misbruik van het product.

## Garantie disclaimer

**Crowcon** accepteert geen aansprakelijkheid voor gevolghebbend of indirect verlies of schade die op wat voor manier dan ook ontstaat (waaronder eventueel verlies of schade die ontstaan door het gebruik van het instrument) en alle aansprakelijkheid met betrekking tot een derde partij is uitdrukkelijk uitgesloten.

Deze garantie dekt niet de nauwkeurigheid van de kalibratie van de eenheid of de cosmetische afwerking van het product. De eenheid moet in overeenstemming met de bedienings- en onderhoudsinstructies onderhouden worden.

De garantie op vervanging van verbruiksartikelen (zoals de spiegel) die onder garantie geleverd is om defecte items te vervangen, zal beperkt zijn tot de niet verlopen garantie van het originele geleverde item.

**Crowcon** behoudt zich het recht voor om een kortere garantieperiode vast te stellen, of om een garantieperiode af te wijzen voor een sensor die gebruikt wordt in een omgeving of toepassing waarvan bekend is dat er een risico bestaat van degradatie of schade aan de sensor.

Onze aansprakelijkheid met betrekking tot defecte apparatuur zal beperkt zijn tot de verplichtingen zoals uiteengezet in de garantie en eventuele verlengde garantie, voorwaarde of verklaring, uitdrukkelijk of geïmpliceerd, statutair of anderszins met betrekking tot de verkoopbare kwaliteit van onze apparatuur of de geschiktheid ervan voor een bepaald doel is uitgesloten, behalve als wettelijk is bepaald. Deze garantie heeft geen invloed op de wettelijke rechten van een klant.

**Crowcon** behoudt zich het recht voor om verwerkings- en verzendkosten door te berekenen als defecte geretourneerde items alleen normaal gekalibreerd of onderhouden moesten worden, en dat de klant dan niet wil laten doen.

Voor garantie en technische ondersteuning kunt u contact opnemen met:

**Customer Support**

**Tel: +44 (0) 1235 557711**

**Fax: +44 (0) 1235 557722**

**Email: [customersupport@crowcon.com](mailto:customersupport@crowcon.com)**



# Zawartość

Zasada działania i bezpieczeństwo .....	169
Idea wykrywacza <b>IRmax</b> .....	169
Informacje dotyczące bezpieczeństwa .....	170
Informacje ogólne o produkcie .....	171
1. Wprowadzenie .....	172
1.1 Informacje ogólne .....	172
1.2 Opis produktu .....	172
2. Instalacja .....	174
OSTRZEŻENIE .....	174
2.1 Lokalizacja .....	174
2.2 Montaż .....	175
2.3 Podłączanie kabla bezpośrednio do <b>IRmax</b> .....	175
2.3.1 Oznaczenie zacisku .....	176
2.3.2 Instalowanie wykrywacza <b>IRmax</b> za pomocą wspornika montażowego .....	176
2.4 Instalowanie za pomocą dławnicy z króćcem z gwintem zewnątrznym i dodatkowej skrzynki przyłączeniowej .....	177
2.4.1 Aby przymocować wykrywacz <b>IRmax</b> do dodatkowej skrzynki przyłączeniowej: .....	178
2.5 Wymagania dotyczące okablowania .....	178
2.6 Połączenia i ustawienia .....	179
3. Działanie .....	180
3.1 Procedura przekazania do eksploatacji .....	180
3.2 Rutynowa konserwacja .....	181
3.3 Zmiana typu gazu .....	181
3.4 Odpowiedź względna na inne typy gazów .....	182
4. Dane techniczne .....	183
5. Akcesoria i części zamienne .....	184
6. Wykrywanie usterek .....	185
6.1 Błędy sygnalizowane przez diodę LED .....	185
6.2 Wyjście analogowe .....	185
7. Konfiguracja RS485 Modbus .....	186
7.1 Informacje ogólne .....	186
7.2 Topologia okablowania .....	187
7.2.1 Połączenie w układzie gwiazdy .....	187
7.2.2 Połączenie magistrali liniowej .....	187
7.3 Wymaganie dotyczące okablowania .....	188
7.3.1 Obliczanie minimalnego wymaganego poziomu mocy .....	188
7.3.2 Przykładowe obliczenie .....	188

8. Podręcznik Bezpieczeństwa Funkcjonalnego.....	189
8.1 Wstęp.....	189
8.2 Urządzenie IRmax i funkcja zabezpieczająca IRmax Modbus...	189
8.3 Dane Bezpieczeństwa Funkcjonalnego.....	189
8.4 Konfiguracja Sprzętowa.....	190
8.5 Konfiguracja Oprogramowania .....	190
8.6 Awarie systemowe .....	190
8.7 Częstotliwość diagnostyki.....	190
8.8 Ograniczenia.....	190
8.9 Środowiskowe.....	191
8.10 Tolerancja na usterki sprzętowe .....	191
8.11 Zdolność systemowa .....	191
8.12 Klasyfikacja .....	191
Gwarancja .....	192



## Idea wykrywacza IRmax

**IRmax** jest ultrakompaktowym wykrywaczem gazów na podczerwień (IR), zapewniającym szybkie i niezawodne wykrywanie gazów oraz par węglowodorów.

Wykrywacz **IRmax**, cechujący się zastosowaniem technologii czujnika podczerwieni o podwójnej długości fali i wytrzymałą obudową ze stali nierdzewnej 316, został zaprojektowany do pracy w najtrudniejszych warunkach. W odróżnieniu od konwencjonalnych wykrywaczy gazów na podczerwień w **IRmax** nie są używane ogrzewacze zapobiegające kondensacji na szybkach i lusterkach. Pokrycie STAY CLIR na elementach optycznych zapobiega kondensacji podczas pracy wykrywacza.

Wykrywacz **IRmax** jest zgodny z dowolnym układem sterowania działającym w zakresie 4 – 20 mA. Można go również zamontować w sieci adresowalnej magistrali RS485 Modbus (opis w Rozdziale 7).

Wykrywacz **IRmax** wymaga mocy zaledwie 1 W — jest to wartość o 75 – 90% niższa niż w przypadku konwencjonalnych wykrywaczy gazów na podczerwień.

Wykrywacz **IRmax** jest wyposażony w kompaktową dyfuzyjną komorę gazów, która w połączeniu ze skuteczną, zabezpieczającą przed warunkami atmosferycznymi nasadką zapewnia doskonałą szybkość reakcji. Nasadka ta została zaprojektowana z zastosowaniem oprogramowania modelującego przepływy w celu umożliwienia zdalnego gazowania i kalibracji wykrywacza bez wymogu stosowania specjalnej nasadki kalibracyjnej.

Wyświetlacz **IR Display** umożliwia śledzenie odczytów z wykrywacza **IRmax**, zarówno lokalnie, jak i zdalnie. Wyświetlacz **IR Display** można przymocować bezpośrednio do wykrywacza **IRmax**. Alternatywnie, **IRmax** może być dostarczony wraz z modułem bariery iskrobezpiecznej (IS). Wyświetlacz **IR Display** można podłączyć do modułu bariery iskrobezpiecznej za pomocą okablowania tymczasowego lub stałego. Dostępne rozwiązania przedstawiono na Schemat 3, strona 173.

W celu uzyskania szczegółowych informacji o innych akcesoriach do urządzenia **IRmax**, patrz Schemat 3 na strona 173 i Dział 5 na strona 184.

## Informacje dotyczące bezpieczeństwa

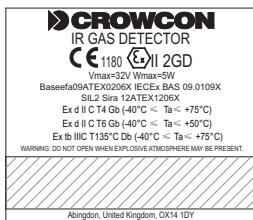
- Instalację, obsługę i konserwację wykrywaczy gazów **IRmax** należy prowadzić ściśle według niniejszych instrukcji, ostrzeżeń, informacji zawartych na etykietach oraz w ramach określonych ograniczeń.
- Tylna pokrywa na wykrywaczu IRmax musi być podczas pracy mocno dokręcona. Nie wolno podejmować prób odkręcania tylnej zaślepki do chwili odizolowania zasilania wykrywacza — mogłoby to spowodować zapłon palnej atmosfery. Przed odkręceniem pokrywy w celu konserwacji, kalibracji lub serwisu należy sprawdzić, czy otaczająca atmosfera nie zawiera łatwopalnych gazów lub par. Nie otwierać przez kilka minut po odłączeniu zasilania.
- Czynności konserwacyjne i kalibrację może wykonywać wyłącznie wykwalifikowany personel serwisowy.
- Należy używać wyłącznie oryginalnych części zamiennych firmy **Crowcon**. Użycie elementów zastępczych może spowodować unieważnienie certyfikacji i gwarancji wykrywacza **IRMax**.
- Wykrywacze **IRmax** należy chronić przed drganiami o skrajnie wysokim natężeniu oraz bezpośrednim światłem słonecznym w środowisku wysokich temperatur — może to spowodować wzrost temperatury wykrywacza powyżej określonych wartości granicznych i spowodować przedwczesne uszkodzenie.
- Wykrywacz **IRmax** nie wykrywa wodoru, amoniaku i dwutlenku węgla.
- Sprzęt należy uziemić za pomocą dławnicy kablowej i kabla ze stalowym opancerzeniem.
- Certyfikat dla Strefy 21/22 - środowisko zapyłone IRmax basic (bez wyświetlacza IR lub modułu IS Barrier) może być wykorzystywany w środowisku, w którym występuje niebezpieczny pył (Strefy 21 lub 22).
- IRmax z modulem IS Barrier może być stosowany w strefach 21 lub 22 pod warunkiem, że temperatura otoczenia nie przekroczy 40°C, a zdalny wyświetlacz IR lub ręczny wyświetlacz zainstalowany/używany będzie poza strefą zagrożenia.
- Urządzenia IRmax z zamontowanym na stałe wyświetlaczem IR nie można instalować w Strefach 21 ani 22.

## Informacje ogólne o produkcie

Wykrywacz **IRmax** jest wykrywaczem gazów na podczerwień zaprojektowanym do wykrywania powszechnie występujących gazów węglowodorowych w zakresie od 0 do 100% dolnej granicy wybuchowości: (najniższego stężenia w powietrzu, przy którym może nastąpić zapłon).

Wykrywacz **IRmax** jest certyfikowanym wykrywaczem przeciwwybuchowym (Exd) zgodnym do użytku w obszarach niebezpiecznych określanych jako Strefy 1 i 2 ATEX. Etykieta certyfikacyjna z boku wykrywacza identyfikuje typ certyfikatu odnoszący się do dostarczonego produktu.

**Uwaga: jeśli na wykrywaczu IRmax nie jest zamocowana żadna etykieta, nie jest on certyfikowany do wykorzystania w obszarach niebezpiecznych.**



Etykieta certyfikacji urządzenia **IRmax** Basic



Etykieta certyfikatu iskrobezpieczeństwa urządzenia **IRmax**



Etykieta bezpieczeństwa urządzenie **IRmax** z zamontowanym na stałe wyświetlaczem IR



Wykrywacze mające certyfikat pozwalający na wykorzystanie w Brazylii



Schemat 1: Etykiety certyfikacyjne wykrywacza **IRmax**

# 1. Wprowadzenie

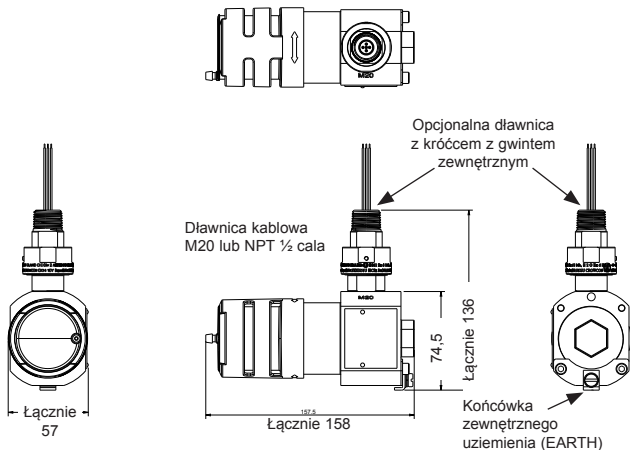
## 1.1 Informacje ogólne

Konfiguracja każdego wykrywacza **IRmax** jest określona przez etykietę umieszczoną na korpusie. W przypadku kontaktu z firmą **Crowcon** w celu uzyskania porady lub części zamiennych należy podać nazwę produktu, nazwę części oraz numer seryjny.

## 1.2 Opis produktu

Wykrywacz **IRmax** składa się z korpusu wykonanego ze stali nierdzewnej 316 oraz antystatycznej, odpornej na działanie czynników atmosferycznych pokrywy optyki i komory pomiarowej gazu oraz zespołu elektroniki. Można również zamontować moduł **IR Display**. Instrukcje dotyczące montażu wyświetlacza **IR Display** zamieszczono w instrukcji obsługi wyświetlacza (M07061).

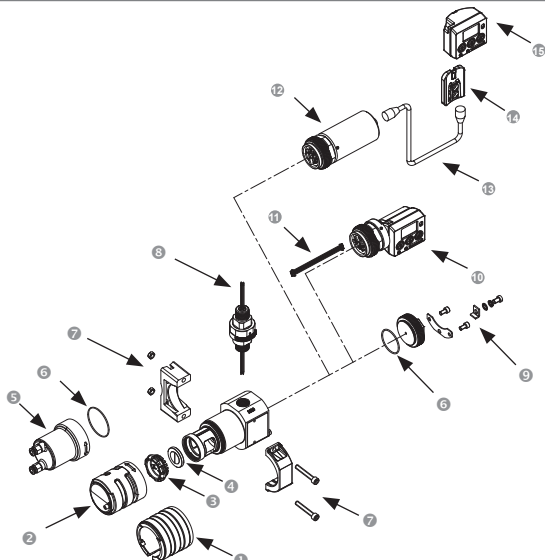
Może zostać dostarczona opcjonalna dławnica z króćcem z gwintem zewnętrznym, umożliwiającą zamocowanie wykrywacza **IRmax** bezpośrednio na dodatkowych skrzynek przyłączowych z wlotami kablowymi M20 lub NPT ½ cala.



Wszystkie wymiary podano w milimetrach

Schemat 2: Widok wymiarowy wykrywacza **IRmax**

**Uwaga: korpus wykrywacza **IRmax** jest dostarczany z dwoma wlotami kablowymi, M20 i NPT ½ cala. Wlot kablowy, który nie został określony podczas zamawiania wykrywacza **IRmax**, jest zaślepiony certyfikowaną zaślepką. Oba przewody urządzenia **IRmax** muszą być szczerlnie zabezpieczone: jeden z użyciem dławnicy kablowego, a drugi z użyciem zaślepki mającej certyfikat IP66.**



Schemat 3: Widok rozebranego wykrywacza *IRmax* (numery części przedstawiono tam, gdzie mają zastosowanie)

- 1 Nasadka kalibracyjna M041007
- 2 Nasadka chroniąca przed wpływem warunków atmosferycznych M04995
- 3 Ustalacz lusterka } Dostarczane razem z zestawem do wymiany lusterka
- 4 Lusterko } C011206
- 5 Adaptor przepływowy S012996
- 6 Pierścień uszczelniający typu „O” do nakrętki oporowej, moduł **IS Barrier** lub moduł instalowanego na stałe wyświetlacza IR: M040077
- 7 Wspornik montażowy jako kompletny zespół S012130
- 8 Dławnica z króćcem z gwintem zewnętrznym, wersje M20 lub NPT ½ cala: M20 ATEX: S012147, 1/2" NPT ATEX: S012190
- 9 Płytki i sworznie mocujące do tylnej wtyczki, instalowane na stałe wyświetlaczu IR i module **IS Barrier**
- 10 Stała wersja wyświetlacza **IR Display**
- 11 Złącze wyświetlacza **IR Display** – wykrywacz **IRmax** E07987
- 12 Moduł bariery iskrobezpiecznej
- 13 Przewód łączący wyświetlacza **IR Display**
- 14 Gniazdo montażowe zdalnego wyświetlacza **IR Display** M03833
- 15 Zdalny wyświetlacz **IR Display**

## 2. Instalacja

### OSTRZEŻENIE

- Ten wykrywacz został zaprojektowany w sposób umożliwiający zastosowanie w obszarach niebezpiecznych określanych jako Strefy 1 i 2. Certyfikacja jest uzależniona od zamontowanych akcesoriów i temperatury otoczenia, w którym urządzenie pracuje. Szczegóły dotyczące certyfikacji znajdują się w tabeli danych technicznych na stronie 183. Instalację należy przeprowadzić zgodnie z uznanymi standardami ustalonymi przez odpowiednie władze krajowe.
- Aby uzyskać dodatkowe informacje, należy skontaktować się z firmą Crowcon. Przed wykonaniem jakichkolwiek prac instalacyjnych należy się upewnić, że są przestrzegane lokalne przepisy i procedury właściwe dla miejsca instalacji.
- Sprzęt należy uziemić za pomocą dławnicy kablowej i kabla ze stalowym opancerzeniem.
- Nie należy podejmować prób zamontowania wyświetlacza IR Display na wykrywaczu, który nie został dostarczony w tym celu. Wykrywacze IRmax dostarczone do użytku z wyświetlaczem mają certyfikat Exd ia i muszą pracować z wyświetlaczem stałym z barierą iskrobezpieczną lub ze zdalnym bądź ręcznym wyświetlaczem podłączonym za pośrednictwem modułu bariery iskrobezpiecznej firmy Crowcon.
- Wykrywacze IRmax dostarczone bez wyświetlacza mają certyfikat Exd IIC i nie można ich zmodernizować w celu użycia z wyświetlaczem IR Display.

### 2.1 Lokalizacja

Wykrywacz IRmax należy zamontować w miejscach, w których występowanie wykrywanego gazu jest najbardziej prawdopodobne. Podczas umieszczania wykrywacza gazu należy zwrócić uwagę na następujące elementy:

- W celu wykrycia gazów lżejszych od powietrza, takich jak metan, wykrywacze należy zamontować na dużej wysokości. W celu wykrycia gazów cięższych od powietrza, takich jak opary łatwopalne, wykrywacze należy zamontować na małej wysokości.
- Umieszczając wykrywacze, należy wziąć pod uwagę uszkodzenia, które mogą zostać spowodowane przez czynniki naturalne, takie jak deszcz lub powódź. W przypadku wykrywaczy montowanych na zewnątrz w obszarach bardzo wysokich temperatur firma Crowcon zaleca stosowanie zasłony przeciwsłonecznej (opis w Dziale 5, Akcesoria i części zamienne, na stronie 184).
- Należy wziąć pod uwagę łatwość dostępu do celów związanych z testami funkcjonalnymi i serwisem.
- Należy wziąć pod uwagę zachowanie ulatniających się gazów, wywołane naturalnymi lub wymuszonymi prądami powietrza. Jeśli jest to właściwe, wykrywacze IRmax należy montować w kanałach wentylacyjnych (z zastosowaniem zestawu montażowego IRmax do kanałów (opis w Dziale 5, Akcesoria i części zamienne, na stronie 184)).
- Należy wziąć pod uwagę warunki procesu. Butan jest na przykład w normalnych warunkach cięższy od powietrza, ale w przypadku uwolnienia z procesu, w którym występuje podwyższona temperatura i/lub ciśnienie, może wznosić się zamiast opadać.

Rozmieszczenie czujników należy określić z uwzględnieniem porad ekspertów dysponujących specjalistyczną wiedzą na temat rozpraszania gazów, sprzętu procesowego stosowanego w zakładzie, a także kwestii bezpieczeństwa i uwarunkowań technicznych.

## 2.2 Montaż

Wykrywacz **IRmax** można zamontować na trzy sposoby:

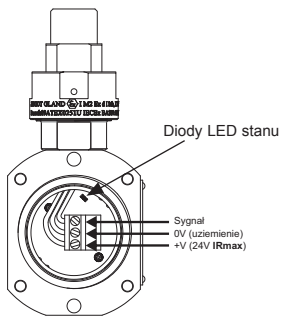
1. Za pomocą wspornika montażowego **Crowcon** z bezpośrednim podłączeniem kabla (dotyczy wyłącznie zakresu pracy 4 – 20 mA).
2. Za pomocą dławnicy czopowej, w celu podłączenia do istniejącej skrzynki przyłączonej z certyfikatem Exe lub Exd. Firma **Crowcon** oferuje dławik z króćcem jako wyposażenie dodatkowe (patrz punkt 3 poniżej)
3. Za pomocą opcjonalnej dodatkowej skrzynki przyłączonej firmy **Crowcon** i dławnicy czopowej.

Części wchodzące w skład wyposażenia dodatkowego podano w wykazie w Dziale 5 na strona 184.

Wykrywacz **IRmax** należy zainstalować w wyznaczonej lokalizacji z tuleją czujnika umieszczoną poziomo +/- 15° (orientację przedstawiono na Schemat 2 na strona 172). Zabezpiecza to przed gromadzeniem się pyłu lub wody na podzespołach optycznych,

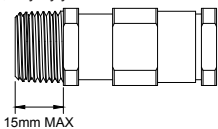
## 2.3 Podłączanie kabla bezpośrednio do IRmax

Ta opcja jest odpowiednia wyłącznie dla działania w zakresie 4 – 20mA. Do przymocowania wykrywacza do ściany lub rury o średnicy 50 mm wymagany jest wspornik montażowy **Crowcon**.



Schemat 4: • Połączenia kabli roboczych w detektorze **IRmax**

Należy podłączyć kable, używając certyfikowanej dławnicy, przez wybrany wlot kablowy na korpusie wykrywacza **IRmax** (M20 lub NPT ½ cala). Firma **Crowcon** zaleca instalację dławnic kablowych tak, aby były skierowane w dół.



Należy sprawdzić, czy używane dławnice kablowe mają odpowiedni certyfikat Exd i czy długość gwintu nie przekracza długości określonej na schemacie (po lewej).

## 2. Instalacja

### 2.3.1 Oznaczenie zacisku

Przy wykrywaczu **IRmax** zorientowanym jak na Schemat 2 na strona 172 (wlot kablowy M20 na górze) trójprzewodowy kabel należy podłączyć, stosując wtyczkę w następujący sposób:

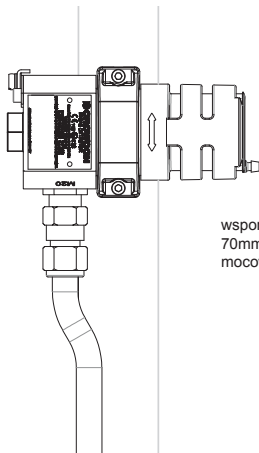
+24 V na dole, 0 V w środku, sygnał na górze.

Złącze z 6 wtykami z prawej strony płytki drukowanej służy do celów serwisowych i/lub podłączania modułu **IR Display**.

Zacisk +ve:	zasilanie +ve z karty sterowania.
Zacisk Sig:	Sygnał/wykrywanie z karty sterowania.
Zacisk 0 V	zasilanie -ve z karty sterowania.

### 2.3.2 Instalowanie wykrywacza **IRmax** za pomocą wspornika montażowego

- Wykrywacz **IRmax** może być dostarczony ze wspornikiem montażowym (S012130) zamiast dławnicy z króćcem z gwintem zewnętrznym, tak aby można było podłączyć go bezpośrednio do kabli (opis w Schemat 5).



wspornik montażowy  
70mm pomiędzy środkami  
mocowania. Użyj śrub M6.

Schemat 5: Wykrywacz **IRmax** ze wspornikiem montażowym i dławnicą kablową

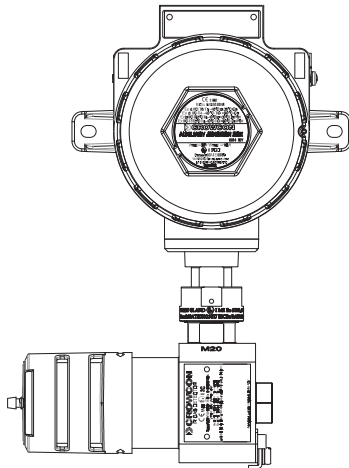
- Jeśli wykrywacz **IRmax** ma zostać zamontowany na płaskiej powierzchni, należy zaznaczyć i wywiercić dwa otwory, używając wspornika montażowego jako szablonu. Obie części wspornika należy luźno zamocować, używając odpowiednich dla ściany/powierzchni mocowań.
- Zdjąć nasadkę zabezpieczającą przed działaniem czynników atmosferycznych z wykrywacza **IRmax** i przeprowadzić korpus wykrywacza przez wspornik. Zalecana jest instalacja kadłuba wykrywacza **IRmax** z wlotem kablowym skierowanym w dół.



- d. Zabezpieczyć dwa mocowania wspornika tak, aby wykrywacz **IRmax** był pewnie utrzymywany na miejscu. Założyć ponownie nasadkę zabezpieczającą przed wpływem czynników atmosferycznych.
- e. Po pewnym zamocowaniu wykrywacza **IRmax** na miejscu odkręcić jego tylną zaślepkę, aby umożliwić dostęp do zacisków kabli.
- f. Przygotować kabel — firma **Crowcon** zaleca zastosowanie kabla z pancerzem 1,5 mm<sup>2</sup> z drutu stalowego (SWA). Można używać kabli innych typów pod warunkiem ich zgodności z dławnicami z certyfikatem Exd. Zamocować dławnicę kablową z odpowiednim certyfikatem Exd, przeciągnąć żyły kablowe przez korpus wykrywacza **IRmax** i wkręcić dławnicę kablową. Zamocować dławnicę i sprawdzić, czy opancerzenie kabla jest uziemione do dławnicy kablowej i korpusu wykrywacza **IRmax**. **UWAGA:** po zainstalowaniu kabla należy ponownie zamontować tylną nakrętkę.
- g. Płytką mocująca (pozycja 9 na Schemat 3 ze strona 173) musi być bezpiecznie zamocowana aby zapobiec ryzyku połuzowania się tylnej nakrętki (lub instalowanego na stałe wyświetlacza IR względnie modułu IS Barrier) na skutek wibracji.

### 2.4 Instalowanie za pomocą dławnicy z króćcem z gwintem zewnętrznym i dodatkowej skrzynki przyłączonej

Tę opcję należy zastosować, jeśli wymagane jest połączenie wykrywacza **IRmax** z istniejącą dodatkową skrzynką przyłączonej z certyfikatem Exd lub Exe.



Schemat 6: Wykrywacz **IRmax** podłączony do skrzynki przyłączonej

## 2. Instalacja

### 2.4.1 Aby przymocować wykrywacz IRmax do dodatkowej skrzynki przyłączeniowej:

- Ostrożnie zdemontować zewnętrzną część dławnicy z króćcem z gwintem zewnętrznym (poz. 8, Schemat 3 na strona 173).
- Przykręcić wąski koniec dławnicy z króćcem z gwintem zewnętrznym do dodatkowej skrzynki przyłączeniowej.
- Podnieść **IRmax** do skrzynki przyłączeniowej i poprowadzić przewody przez zespół i do dodatkowej skrzynki przyłączeniowej. Przymocować wykrywacz **IRmax**, przykręcając mocno pierścień do dławnicy kablowej. Przykręcić wkręt bez łoża.
- Korpus wykrywacza **IRmax** można obrócić poziomo pod dowolnym kątem pod warunkiem, że jest to mechanicznie bezpieczne, nie koliduje z innym sprzętem i umożliwia dostęp do celów związanych z konserwacją
- Instrukcje dotyczące przewodów zawiera Dział 2.6. Patrz również Schemat 4 na strona 175.

## 2.5 Wymagania dotyczące okablowania

Okablowanie dochodzące do wykrywacza **IRmax** musi być zgodne z uznanymi standardami ustalonymi przez odpowiednie władze krajowe i spełniać wymagania elektryczne wykrywacza **IRmax**.

Firma **Crowcon** zaleca zastosowanie kabla z pancerzem z drutu stalowego (SWA) i odpowiednich dławnic przeciwwybuchowych. Alternatywne techniki wykonania okablowania, takie jak stalowy kanał kablowy, są akceptowalne pod warunkiem spełnienia odpowiednich standardów.

Maksymalna zalecana długość kabla wynosi 3,4 km (patrz tabela 1).

Wykrywacz **IRmax** wymaga zasilania prądem stałym 12 – 30 VDC. Należy zapewnić dopływ z panelu sterowania do wykrywacza **IRmax** napięcia przynajmniej 12 V, biorąc pod uwagę spadek napięcia z powodu oporu kabla przy szczytowym natężeniu prądu 0,1 A.

Kabel 1,5 mm<sup>2</sup> umożliwi zwykle poprowadzenie na odległość do 3,0 km. W tabeli 1 przedstawiono maksymalne odległości poprowadzenia kabla dla typowych parametrów.

Powierzchnia przekroju kabla	Opór	Maksymalna odległość >20 V	Maksymalna odległość od 18 do 20
mm <sup>2</sup>	(Omów na km)	(km)	(km)
1,0	18,4	2,2	1,6
1,5	13,0	3,0	2,3
2,5	11,5	3,4	2,6

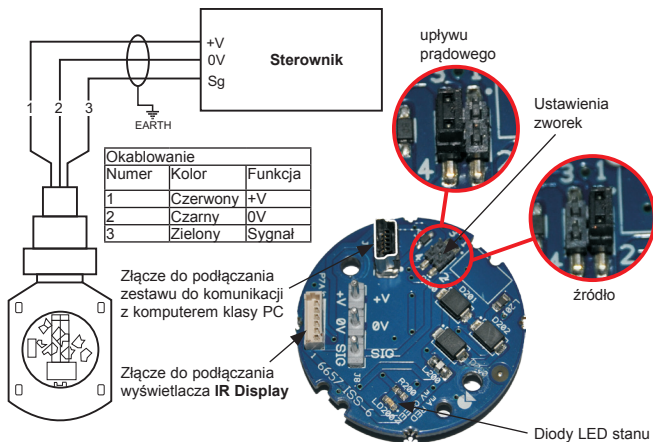
Tabela 1: maksymalne odległości poprowadzenia dla typowych kabli

## 2.6 Połączenia i ustawienia

Wszystkie opisane połączenia odnoszą się do zespołu listew zaciskowych korpusu złącza wykrywacza **IRmax**. Zaciski na płytce drukowanej złącza wykrywacza **IRmax** są oznaczone „+”, „sig” i „0 V”. Podłączając wykrywacz do sprzętu sterującego, należy sprawdzić prawidłowość polaryzacji.

Wykrywacz **IRmax** jest fabrycznie ustawiony jako „upływ prądowy”, chyba że w zamówieniu określono inaczej. W razie przestawienia na „źródło prądu” należy zdemontować płytę tylną i przesunąć dwa łączniki na płytce drukowanej zacisku z położenia „upływu prądowego” do położenia „źródło”, jak przedstawiono na Schemat 7.

**Uwaga: Zacisku uziemienia zewnętrznego należy używać tylko, jeśli lokalne władze zezwalają na takie połączenie lub wymagają go. Jeśli to możliwe, w celu ograniczenia zakłóceń częstotliwości radiowej dodatkowej skrzynki przyłączowej i opancerzenie kabla należy uziemić wyłącznie w panelu sterowania (obszar bezpieczny). Pozwala to uniknąć pętli uziemienia.**



Schemat 7: Położenie zworki upływu/źródła

Sygnał 4 – 20 mA można ustawić na „upływ” lub „źródło” prądu, używając wtyków i łącznika zworki przedstawionych na schemacie 7. Ustaw prąd na „Sink” (pochłanianie) poprzez ustawienie łącznika na piny 3 i 4 zgodnie z ilustracją na zdjęciu po lewej. Ustaw prąd na „Source” (Źródło) poprzez ustawienie łącznika na piny 1 i 2 zgodnie z ilustracją na zdjęciu po lewej. Wykrywacze **IRmax** są ustawione na „upływ” prądu, chyba że w zamówieniu określono inaczej.

**Wskazanie diody LED:** na płytce drukowanej zacisku jest zamocowana dioda LED, wskazująca bieżący stan działania. Dodatkowe informacje przedstawiono w Dziale 6 na stronie 185.

## OSTRZEŻENIE

Przed wykonaniem jakichkolwiek prac instalacyjnych należy się upewnić, że są przestrzegane są lokalne przepisy i procedury właściwe dla miejsca instalacji. Nie wolno podejmować prób otwarcia wykrywacza IRmax lub dodatkowej skrzynki przyłączowej w obecności łatwopalnego gazu. Aby uniknąć fałszywych alarmów, należy sprawdzić, czy powiązany panel sterowania jest w stanie wstrzymania.

### 3.1 Procedura przekazania do eksploatacji

1. Sprawdzić, czy:
  - a. Połączenia kabli są prawidłowe.
  - b. Napięcie zasilania jest ustawione na karcie sterowania na zakres od 18 do 30 V. Napięcie mierzone na zaciskach wykrywacza IRmax (w skrzynce przyłączowej Exe, jeśli jest używana, lub zacisku na płycie drukowanej wykrywacza IRmax) i musi być ustawione na zakres od 12 do 30 V.
  - c. Zwory są ustawione na karcie sterowania odpowiednio na upływ lub źródło 4 – 20 mA.
2. Po uruchomieniu, a przed podjęciem próby wyzerowania/kalibracji należy pozostawić urządzenie na 30 minut. To opóźnienie zapewnia osiągnięcie stabilności termicznej. (**Uwaga: Wykrywacz IRmax będzie całkowicie zdalny do działania po upływie 30 sekund po doprowadzeniu mocy.**)
3. Przed zerowaniem należy zapewnić czyste powietrze (tj. bez gazu węglowodorowego). Odczyt zera jest dokonywany na karcie sterowania (patrz instrukcję karty sterowania).
4. Założyć nasadkę kalibracyjną na pokrywę zabezpieczającą przed działaniem czynników atmosferycznych aby odizolować komorę pomiarową od powietrza otoczenia. Taką nasadkę można zamówić w firmie **Crowcon** (M041007). Podłączyć gaz kalibracyjny (50% wartości nominalnej dolnej granicy wybuchowości) i zastosować przepływ 1 litr na minutę.
5. Po 30 sekundach dostosować kalibrację/okres na karcie sterowania tak, aby odczyt wskazywał 50% dolnej granicy wybuchowości lub odpowiadał zastosowanemu stężeniu gazu kalibracyjnego. Sam wykrywacz IRmax nie wymaga kalibracji.
6. Odciać gaz i zdemontować nasadkę kalibracyjną. Sprawdzić ponownie punkt zerowy
7. Po instalacji lub wymianie lusterka wykrywacz można wyzerować i skalibrować z zastosowaniem wyświetlacza IR Display (opis w strona 169) lub za pośrednictwem zestawu do komunikacji z komputerem (patrz podręcznik „Akcesoria IRmax”).

**Uwaga: Wykrywacze IRmax z certyfikatem ATEX są dostarczane skalibrowane zgodnie z normą EN61779 (gdzie na przykład 100% dolnej granicy wybuchowości metanu = 4,4% objętości).**

**Uwaga: zaleca się użycie w celu wstępnego przekazania do eksploatacji nasadki kalibracyjnej. Kolejne kalibracje można wykonywać przez zdalne doprowadzenie gazu do nasadki zabezpieczającej przed działaniem czynników atmosferycznych przez króciec (unikając bezpośredniego dostępu do wykrywacza IRmax). Kalibrację bez nasadki kalibracyjnej (tj. bezpośrednio przez nasadkę zabezpieczającą przed działaniem czynników atmosferycznych) można wykonać pod warunkiem, że lokalna prędkość wiatru jest niższa niż 2 m/s. Szybkość przepływu gazu musi przekraczać 2,0 litra/min.**

## 3.2 Rutynowa konserwacja

Częstotliwość testowania wykrywaczy jest określana przez procedury zakładowe. **Crowcon** zaleca wykonywanie testów gazowych wykrywacza **IRmax** przynajmniej co 6 miesięcy i, w razie potrzeby, ponowną kalibrację. W celu przeprowadzenia ponownej kalibracji wykrywacza **IRmax** należy wykonać kroki podane w Dziale 3.1.

W przypadku usterki elektrycznej należy skonsultować się z lokalnym przedstawicielem firmy **Crowcon**.

Częstotliwość kalibracji:	Firma <b>Crowcon</b> zaleca wykonywanie kalibracji co 12 miesięcy.
Zdalna kalibracja przy użyciu przewodu:	Szybkość wiatru musi być mniejsza niż 2,0 m/s. Jeśli jest większa, należy zastosować nasadkę kalibracyjną w celu zapobieżenia rozcieńczeniu gazu.
Czyszczenie optyki:	<b>Nie zaleca się</b> , chyba że wykrywacz <b>IRmax</b> jest w stanie awarii z powodu całkowitego zaślepienia optyki. Jeśli dojdzie do zabrudzenia jakiegokolwiek elementu optycznego, należy go ostrożnie wyczyścić przy pomocy chusteczek nasączonych alkoholem izopropylowym lub miękkiej tkaniny znajdującej się w zestawie do czyszczenia lusterka. (Patrz Dział 5, <b>Akcesoria i części zamienne</b> na strona 184).
Zwierciadła:	Jeśli lusterko zostało uszkodzone, należy nabyć zestaw do wymiany lusterka (patrz Dział 5, <b>Akcesoria i części zamienne</b> na strona 184). Po wymianie lusterek wykrywacz <b>IRmax</b> należy zawsze ponownie wyzerować i powtórzyć kalibrację.  Jeśli kondensacja zaczyna powodować usterki, wymienić lusterko (pokrycie optyczne mogło ulec uszkodzeniu). Firma <b>Crowcon</b> zaleca wymianę lusterek co 5 lat.

## 3.3 Zmiana typu gazu

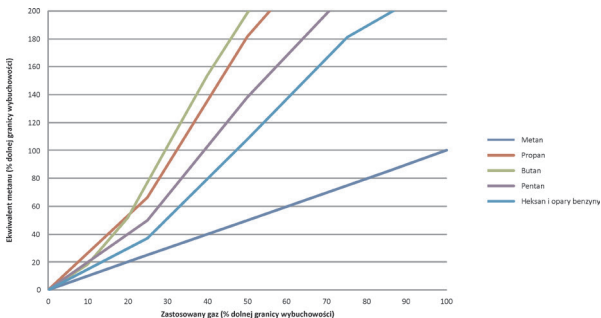
Każdy wykrywacz **IRmax** jest dostarczany wstępnie skalibrowany dla określonego typu gazu (np. metan lub propan). Jeżeli potrzebna jest rekalkibracja dla poszczególnych gazów, wówczas można przeprowadzić rekonfigurację urządzenia **IRmax** przy pomocy zestawu do połączenia z komputerem PC (patrz Dział 5, **Akcesoria i części zamienne** na strona 184), a następnie dokonać kalibracji urządzenia.

## 3. Działanie

### 3.4 Odpowiedź względna na inne typy gazów

Na poniższym wykresie przedstawiono odpowiedzi względne wykrywacza IRmax skalibrowanego na metan na inne typy gazów.

**Uwaga:** wiele węglowodorów w formie gazów i oparów jest wykrywane przez czujniki IR zdecydowanie łatwiej niż metan. Reakcja urządzenia IRmax (oraz innych czujników gazu wykorzystujących promieniowanie podczerwone) działa linearnie w całym przedziale (0-100%) dolnej granicy wybuchowości (tzn. w tym przypadku metanu) ale nie działa linearnie w przypadku innych węglowodorów, które mogą być obecne.




#### Schemat 8

Na schemacie przedstawiono odpowiedź wymienionych powyżej gazów: od lewej do prawej propan, butan, pentan i metan.

Dostępne są inne typy i zakresy gazów. Aby uzyskać bardziej szczegółowe informacje, należy skontaktować się z firmą **Crowcon**.

## 4. Dane techniczne

Material obudowy	Stal nierdzewna 316
Wymiary (tylko wykrywacz <b>IRmax</b> )	150 mm x 75 mm x 66 mm (bez czopu)
Masa	<b>IRmax</b> 1,58 kg <b>IRmax</b> z wersją stałą wyświetlacza <b>IR Display</b> 2 kg <b>IRmax</b> z modułem bariery iskrobezpiecznej 2,4 kg Zdalny wyświetlacz <b>IR Display</b> 0,2 kg
Napięcie robocze	Od 12VDC do 30VDC
Moc	< 1 W
Sygnal wyjściowy	3 przewody, 4 – 20 mA (upływ lub źródło)
Sygnal usterki	<1 mA
Maksymalna rezystancja pętli przewodu	80 Ohmów (stosunkowo do –terminalu ve)
Temperatura pracy	Od -40°C do +75°C (od -40°F do +167°F)
Wilgotność	Wilgotność względna 0 – 100%
Stopień ochrony	IP66
Zabezpieczenie przed wybuchem	Przeciwwybuchowy
Kod atestu ATEX 	<b>IRmax</b> (bez wyświetlacza <b>IR Display</b> ) II 2 GD Exd IIC T6 Gb Tamb = -40°C do +50°C II 2 GD Exd IIC T4 Gb Tamb = -40°C do +75°C II 2 GD Ex tb IIIC T135°C Db (-40°C ≤ Ta ≤ +75°C) Urządzenie <b>IRmax</b> z modułem <b>IS Barrier</b> (wyświetlacz zdalny) II 2 GD Exd ia IIC T4 Gb Tamb = -40°C do +75°C Ex tb ia IIIC T135°C Db Tamb = -40°C do +40°C Urządzenie <b>IRmax</b> z zamontowanym na stałe wyświetlaczem II 2 G Exd ia IIC T4 Gb (Tamb = -40°C do +75°C)
Nr certyfikatu bezpieczeństwa ATEX i IECEx	<b>IRmax</b> (bez wyświetlacza <b>IR Display</b> ): Baseefa 09ATEX0206X i IECEx BAS.09.0109X <b>IRmax</b> (z wyświetlaczem <b>IR Display</b> ): Baseefa 09ATEX0220X i IECEx BAS.09.0104X
Bezpieczeństwo Funkcjonalne	Urządzenie certyfikowane do użytku w systemach SIL 2. Numer certyfikatu Sira 12ATEX1206X
Standardy	EN60079-0:2006, EN60079-1:2004, EN60079-29-1: 2007, EN61779 IEC61508: 2010, EN50402: 2005
Strefy	Certyfikowany do użytku w Strefie 1 lub Strefie 2
Zgodność elektromagnetyczna	EN50270

## 5. Akcesoria i części zamienne

Numery części	Nazwa	Opis
M041007	Nasadka kalibracyjna	Mocowana na standardowej nasadce odpornej na działanie czynników atmosferycznych, gdy lokalna prędkość wiatru przekracza 2 m/s.
S012130	Zestaw wspornika montażowego	Umożliwia zamontowanie na ścianie lub rurze 2-calowej (50 mm). Nie jest wymagany w przypadku mocowania wykrywacza <b>IRmax</b> do istniejącej skrzynki przyłączonej.
S012152	Zasłona przeciwsłoneczna/ stożek kolektora	w celu zabezpieczenia przed podwyższonymi temperaturami powstającymi w wyniku bezpośredniego wystawienia na światło słoneczne i/lub w celu zwiększenia zakresu pokrycia wykrywaczy, aby umożliwić wykrywanie gazów lżejszych niż powietrze (metan).
S012169	Zestaw montażowy do kanałów	Umożliwia monitorowanie kanałów od 300 mm do 3000 mm i przepływu powietrza między 2 m/s a 20 m/s.
S012996	Adaptor przepływowy	Do próbkowania gazu.
S012827	Zestaw do komunikacji z komputerem	Moduł komunikacyjny, oprogramowanie i przewód, umożliwiające skonfigurowanie wykrywacza.
M20: S012295 ½" NPT: S012296	Dodatkowej skrzynki przyłączonej	Opcja montażu wykrywacza <b>IRmax</b> do stosowania w obszarach niebezpiecznych.
C011210	Zestaw do czyszczenia lustra	Zawiera chusteczki nasyczone IPA oraz ściereczkę z mikrowłókien

### Części zamienne wykrywacza IRmax

Szczegóły dotyczące części zamiennych — patrz Schemat 3 on strona 173.



## 6. Wykrywanie usterek

### 6.1 Błędy sygnalizowane przez diodę LED

Wskazania diody LED zamontowanej na płycie drukowanej wyprodukowań mogą być pomocne w diagnozowaniu uszkodzeń. Położenie diody przedstawiono na Schemat 7 na stronie 179. W tabeli poniżej przedstawiono interpretację nieprawidłowości na podstawie sekwencji wskazań diody.

Wzorec sygnału diody LED	Stan IRmax	Działanie
Regularne błyski odstępac sekundy	Prawidłowy.	
Włączenie z krótkimi gasnącymi impulsami.	Wykrywacz <b>IRmax</b> w trybie uruchamiania.	Odczekać 10 sekund.
Szybkie lub nieregularne błyski.	Napięcie zasilania za niskie lub za wysokie.	Sprawdzić, czy napięcie zasilania wykrywacza <b>IRmax</b> jest prawidłowo ustawione. Sprawdzić, czy pomiar jest wykonywany bezpośrednio na zaciskach wykrywacza <b>IRmax</b> .
Stale włączona.	Usterka, błąd hosta lub modułu i-Module.	Wyłączyć i włączyć <b>IRmax</b> ; jeśli usterka utrzymuje się, zwrócić go do firmy <b>Crowcon</b> .
Dwa długie błyski, po których następuje krótki blysk.	Błąd krytyczny; usterka lampy lub wykrywacza	Zwrócić wykrywacz do firmy <b>Crowcon</b> .
Szybkie dwukrotne błyski w odstępac sekundy.	Błąd krytyczny; usterka modułu lub konfiguracji.	Sprawdzić konfigurację wykrywacza <b>IRmax</b> za pomocą oprogramowania Zestaw do komunikacji z komputerem. Sprawdzić zasilanie. Jeśli usterka utrzymuje się, zwrócić wykrywacz do firmy <b>Crowcon</b> .
Krótkie impulsy w odstępac sekundy.	Zasłonięcie elementów optycznych.	Sprawdzić szybkę i lustro, w razie potrzeby wyczyścić. Ponownie wyzerować wykrywacz <b>IRmax</b> i sprawdzić kalibrację.

Jedyną drogą usunięcia innych usterek jest zwrot wykrywacza **IRmax** do firmy **Crowcon** lub autoryzowanego agenta serwisowego.

### 6.2 Wyjście analogowe

Jeśli wystąpi błąd analogowego sygnału wyjściowego lub jeśli brak połączenia z układem sterowania lub rezystorem obciążającym, detektor **IRmax** pozostanie w trybie usterki, a na wyświetlaczu **IR Display** (jeśli na wyposażeniu) pojawi się komunikat „Wymagana naprawa” (Service required). Detektor **IRmax** aktywnie monitoruje analogowy sygnał wyjściowy 4 – 20 mA w celu sprawdzenia, czy znajduje się w zakresie. Jeśli sygnał jest poza zakresem, detektor przechodzi w tryb usterki i ustawia sygnał wyjściowy na 1 mA. Dlatego też podczas testowania detektora bardzo ważne jest, aby był on podłączony do panelu sterowania lub by między zaciskiem „0 V” i „Sig” (detektor ustawiony w trybie „źródło”) lub zaciskiem „0 V” i „+V” (detektor ustawiony w trybie „ujście”) był podłączony rezystor obciążający 100 Ω.

# 7. Konfiguracja RS485 Modbus

## 7.1 Informacje ogólne

W tym rozdziale wyjaśniono sposób zastosowania wykrywaczy **IRmax** w konfiguracji magistrali Modbus. Dla takich zastosowań dostępna jest wersja obsługująca standard RS485. W konfiguracjach gwiazdy lub magistrali można połączyć do 28 wykrywaczy **IRmax**, zgodnie z zamieszczonym poniżej opisem.

Połączenia z wersją wykrywacza **IRmax** obsługującą standard RS485 należy wykonywać przez dławnicę czopową, do dodatkowej skrzynki przyłączeniowej (patrz Dział 5 na stronie 184); jest to rozwiązanie lepsze niż prowadzenie okablowania bezpośrednio do wykrywacza.

Należy zauważyć, że wyświetlacz **IR Display** nie może być stosowany z wykrywaczem **IRmax** z odblokowanym interfejsem RS485.

Wersja wykrywacza **IRmax** obsługująca standard RS-485 ma pięć zacisków pola. Zaciski to:

1	Zasilanie dodatnie	Od 12 V do 30 V powyżej 0 V
2	0 V	Powrót i odniesienie RS485
3	Sygnały 4 – 20 mA	Sygnal źródła lub upływu (wyposażenie opcjonalne)
4	RS485 B	Sygnal różnicowy RS485
5	RS485 A	Sygnal różnicowy RS485

Sygnały na zaciskach RS485 są zgodne ze standardem EIA/TIA-485, co oznacza zakres trybu ogólnego wynoszący od -7 V do +12 V w odniesieniu do zacisku 0V.

Należy zauważyć, że nie wszyscy producenci urządzeń RS485 zachowują zgodność w odniesieniu do polaryzacji sygnałów A i B. Jeśli okablowanie nie działa w jeden sposób, użytkownik powinien zamienić przewody A i B RS-485. Nie występuje niebezpieczeństwo utworzenia nieprawidłowego połączenia.

Ustawienie komunikacji to 9600 b/s, dwa bity zakończenia transmisji i brak parzystości.

Ważne jest, aby podczas kompilowania interfejsu dla układu sterowania wziąć pod uwagę czas, jaki zajmuje układowi zgromadzenie informacji z poszczególnych wykrywaczy po kolei. Największa szybkość, z jaką można odpytywać wiele wykrywaczy, wynosi 14 wykrywaczy na sekundę; względy praktyczne mogą spowodować ograniczenie tej wartości do 7 wykrywaczy na sekundę. Użytkownik musi zapewnić, aby układ umożliwiał rejestrację sygnałów alarmowych w akceptowalnych granicach czasu.

Ważne jest również, aby zapewnić zasilanie całego systemu wystarczające dla utrzymania pracy wszystkich wykrywaczy. Informacje na temat mocy wymaganej przyłączeniu magistrali liniowej zawiera patrz Dział 7.3, Wymagania dotyczące okablowania, na stronie 188.

Aby uzyskać wyczerpujące instrukcje dotyczące magistrali Modbus, należy skontaktować się z firmą **Crowcon** (patrz adresy na tylnej okładce).

## 7.2 Topologia okablowania

Dwoma używanymi powszechnie topologiami są połączenie w układzie gwiazdy i magistrala liniowa.

### 7.2.1 Połączenie w układzie gwiazdy

W połączeniu w układzie gwiazdy wszystkie wykrywacze są połączone przewodami z punktem centralnym, którym zwykle jest panel sterowania. Nie są wymagane kable z więcej niż 5 rdzeniami, ponieważ wszystkie połączenia sygnałów 4 – 20 mA są wykonywane bezpośrednio do panelu sterowania.

Wszystkie sygnały A i B RS485 można następnie połączyć w punkcie gwiazdy. Magistralę należy następnie zakończyć w punkcie gwiazdy pojedynczym opornikiem zakończeniowym 110 omów.

Długość poszczególnych ramion gwiazdy nie może przekraczać 750 metrów.

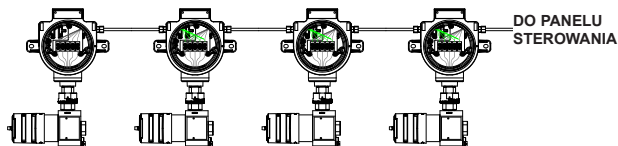
### 7.2.2 Połączenie magistrali liniowej

W połączeniu z magistralą wszystkie wykrywacze **IRmax** są połączone przewodami w układzie liniowym, zwykle z panelem sterowania na jednym końcu. Klasycznym przykładem jest instalacja tunelowa, ze wszystkimi wykrywaczami **IRmax** instalowanymi w regularnych odstępach (patrz Schemat 9 poniżej).

Aby wykonać okablowanie instalacji, należy zamontować dwa rezystory końcowe 110 omów na każdym z fizycznych końców magistrali.

Ponieważ sygnały 4 – 20 mA nie mogą być współdzielone, na każdym hucie okablowania wymagany jest dodatkowy przewód. Jeśli nie jest używany żaden z sygnałów 4 – 20 mA, wymagane są tylko cztery przewodniki.

RYSUNEK POŁĄCZEŃ MAGISTRALI LINIOWEJ



Schemat 9

## 7. Konfiguracja RS485 Modbus

### 7.3 Wymaganie dotyczące okablowania

#### 7.3.1 Obliczanie minimalnego wymaganego poziomu mocy

Im więcej wykrywaczy **IRmax** jest podłączonych do magistrali liniowej, tym większa moc jest wymagana do działania systemu. Aby obliczyć moc wymaganą dla określonej konfiguracji, należy znać opór kabla między poszczególnymi parami wykrywaczy **IRmax**. Dla każdego hopu między wykrywaczami **IRmax** należy dostarczyć prąd przynajmniej 0,1 mA. Napięcie, które należy zastosować, można obliczyć, szacując spadek napięcia na każdym hopie — aby ostatni wykrywacz **IRmax** działał prawidłowo, na końcu musi pozostać przynajmniej 12 V.

W celu uzyskania porady w szczególnych przypadkach należy skontaktować się z firmą **Crowcon**. Można również wykonać kroki opisane poniżej i przykładowe obliczenie podane w następnym rozdziale.

1. Napięcie nie może spaść poniżej 12 V, więc obliczenie należy rozpocząć od ustawienia napięcia na ostatnim wykrywaczu **IRmax** w linii na tę wartość.
2. Każdy wykrywacz **IRmax** może zużyć do 0,1 A. Stratę napięcia kabla na pierwszym hopie między wykrywaczami można obliczyć, przyjmując prąd sumaryczny o wartości 0,1 A i mnożąc go przez opór kabla na hopie między ostatnim a przedostatnim wykrywaczem.
3. To napięcie należy dodać do wstępnej wartości 12 V w celu uzyskania najniższej dopuszczalnej wartości napięcia na przedostatnim wykrywaczu **IRmax**. Należy dodać 0,1 A do wartości prądu sumarycznego, aby uzyskać wartość 0,2 mA, minimalny prąd przepływający przez przedostatni hop magistrali. Tę wartość należy pomnożyć przez opór kabla dla przedostatniego hopu, aby uzyskać następny spadek napięcia.
4. Ten proces należy powtórzyć dla wszystkich wykrywaczy **IRmax**, akumulując straty napięcia występujące między poszczególnymi wykrywaczami.
5. Nie może zostać przekroczona maksymalna wartość napięcia wykrywacza **IRmax** wynosząca 30 V.

#### 7.3.2 Przykładowe obliczenie

W ramach przykładu podano tu wyniki obliczeń dla sześciu wykrywaczy **IRmax** rozmieszczonych równo w odległościach 250 m na kablu o przekroju 1 mm<sup>2</sup>. Każdy hop ma opór 4,6 oma.

Stanowisko	Napięcie zasilania	Prąd zasilania
1	12	0,1 A
2	12,46	0,2 A
3	13,38	0,3 A
4	14,76	0,4 A
5	16,6	0,5 A
6	18,9	0,6 A
Zasilanie panelu	21,66	0,6 A

# 8. Podręcznik Bezpieczeństwa Funkcjonalnego

## 8.1 Wstęp

Poniższe sekcje przedstawiają szczegółowe informacje o certyfikacji urządzeń IRmax zgodnej z normami Bezpieczeństwa Funkcjonalnego IEC 61508 i EN 50402. Przedstawione są informacje o funkcjach uwzględnianych w obudowach bezpiecznych, wymogach konserwacyjnych i dane umożliwiające integrację urządzenia IRmax z Systemem Automatyki Zabezpieczeniowej.

## 8.2 Urządzenie IRmax i funkcja zabezpieczająca IRmax Modbus

Aby zmierzyć stężenie gazu palnego i przedstawić wyniki pomiaru za pomocą mocy wyjściowej 4-20mA.

Błędy w funkcjach bezpieczeństwa będą wykrywane przez sprzęt i oprogramowanie układowe. Będą one przedstawiane za pomocą mocy wyjściowej niższej niż 3,6mA lub wyższej niż 21mA.

## 8.3 Dane Bezpieczeństwa Funkcjonalnego

Nazwa parametru	Symbol	Równanie / źródło	IRmax
Przedział czasowy badania potwierdzającego	T1	Zgodnie z definicją Crowcon.	8 760 godzin (rocznie)
Średni czas potrzebny na naprawę	MTTR	Zgodnie z definicją Crowcon.	8 godzin
Rodzaj A/B	Rodzaj A	Zgodnie z definicją Crowcon.	Rodzaj B
Łącznie usterek:	$\lambda$	Od FMEDA	1.04E-05
Bezpieczne zdiagnozowane usterek:	$\lambda_{SD}$	Od FMEDA	1.95E-08
Bezpieczne niezdiagnozowane usterek:	$\lambda_{SU}$	Od FMEDA	8.59E-08
Niebezpieczne zdiagnozowane usterek:	$\lambda_{DD}$	Od FMEDA	9.74E-06
Niebezpieczne niezdiagnozowane usterek:	$\lambda_{DU}$	Od FMEDA	5.06E-07
Bezpieczne usterek nie mające wpływu na działanie:	$\lambda_{NE}$	Od FMEDA	3.21E-09
Diagnozowany obszar:	DC	$\lambda_{DD} / (\lambda_{DU} + \lambda_{DD})$	95.06%
Ułamek Bezpiecznych Usterek:	SFF	$(\lambda_{SD} + \lambda_{SU} + \lambda_{DD}) / \lambda$	95.11%
Odpowiednik okresu przestoju kanału	$t_{CE}$	$(\lambda_{DU} / \lambda_{DD})(T/2 + MTTR) + (\lambda_{DD} / \lambda_{DD}) MTTR$	2.24E+02
PFD <sub>AVG</sub> (z wykorzystaniem równania 61508-6)	PFD <sub>AVG</sub>	$(\lambda_{DU} + \lambda_{DD}) t_{CE}$	2.30E-03
PFD <sub>AVG</sub> (z wykorzystaniem równania uproszczonego)	PFD <sub>AVG</sub>	$\lambda_{DU} (T / 2 + MTTR) + (\lambda_{DD} MTTR)$	2.30E-03
PFD <sub>AVG</sub> (z wykorzystaniem równania IEC 61508-6)	PFD <sub>AVG</sub>	$1 - e^{-(\lambda_{DD} + \lambda_{DU}) t_{ce}}$	2.30E-03
Kompatybilność z SIL (Tryb niskiego zapotrzebowania)			<b>SIL2</b>
Kompatybilność z SIL (Tryb wysokiego zapotrzebowania)			<b>SIL2</b>

**W przypadku zastosowań z niskim zapotrzebowaniem i ułamka bezpiecznych usterek**, wszystkie warianty systemu nadają się do wykorzystania w zastosowaniach SIL 2.

## 8.4 Konfiguracja Sprzętowa

Do oceny poziomu integralności bezpieczeństwa sprzętu zastosowano Kolejność operacji 1H (Odporność na błędy sprzętowe i ułamek bezpiecznych awarii).

## 8.5 Konfiguracja Oprogramowania

Oceniono oprogramowanie układowe produktu zgodnie z kryteriami określonymi w IEC 61508:3 2010.

## 8.6 Awarie systemowe

Do oceny zgodności z wymaganiami w zakresie unikania awarii systemowych zastosowano kolejność operacji 1S (określona w paragrafie 7.4.2.2c IEC 61508:2 2010).

## 8.7 Częstotliwość diagnostyki

Większość funkcji diagnostycznych jest monitorowana na bieżąco.

Badania systemu nadzoru są realizowane w trakcie corocznego badania, w trakcie których urządzenie poddaje się cyklicznym zmianom mocy: Urządzenie IRmax musi być corocznie poddane cyklicznym zmianom mocy (tzn. odłącza się zasilanie prądem stałym 24V i podłącza je ponownie), stanowi to część programu konserwacji produktu (prosimy sprawdzić też sekcję 3.2).

## 8.8 Ograniczenia

**Wskaźnik awaryjności jest stały.**

Przeprowadzane nie rzadziej niż raz do roku badanie sprawności urządzenia wykryje wszystkie niewykryte wcześniej usterki.

Średni czas potrzebny na przeprowadzenie naprawy to 8 godzin.

Zakłada się, że użytkownik korzysta z funkcji diagnozowania poprzez wyświetlacz IR i/lub poprzez interfejs PC, w celu zminimalizowania potencjalnego czasu przestoju urządzenia.

Ocena niezawodności to proces statystyczny, w którym wykorzystuje się informacje o awariach do jakich dochodziło w przeszłości do odpowiednich modyfikacji projektu i konfiguracji. Zapewnia on wiarygodny cel/szacunkowe dane prawdopodobnej niezawodności urządzenia, zakładając, że produkcja, projektowanie i warunki eksploatacji są identyczne jak te, w których gromadzono dane. Jest to cenna metoda przeglądu projektu pozwalająca porównywać alternatywne projekty, określać rząd wielkości docelowej wydajności i oceniać potencjalny wpływ zmian w projekcie. Nie można jednak zagwarantować, że konkretne przewidywane wartości będą identyczne co liczba awarii, jaka wystąpi w praktyce, liczba ta zależy od wielu czynników, których nie można uwzględnić w obliczeniach.

Na potrzeby tej prognozy zakłada się, iż wskaźnik awaryjności (symbol  $\lambda$ ) będzie wartością stałą. Niezawodność urządzeń malałaby na skutek wczesnych usterek, jak również usterek wynikających ze zużycia, jednak zakłada się, że ryzyko to jest wyeliminowane poprzez wygrzewanie wczesne i prewencyjną wymianę urządzeń na nowe.

Prawdopodobieństwo uszkodzenia w chwili zadziałania jest prawdopodobieństwem, że usterka systemu wystąpi w dowolnym, losowo wybranym, momencie. Jest to tożsame z niedostępnością w stanie ustalonym, powodowaną przez:

$$\text{Niedostępność} = (\lambda \times \text{MDT}) / (1 + (\lambda \times \text{MDT}))$$

która wynosi w przybliżeniu  $\lambda \times \text{MDT}$  dla niskich wartości  $\lambda \times \text{MDT}$

gdzie  $\lambda$  to wskaźnik awaryjności a MDT to Średni Czas Przestoju (Mean Down Time).

Jest to zgodne z wyrażeniem Dostępności jako:  $\text{MTBF} / (\text{MTBF} + \text{MDT})$

Użyty wskaźnik awaryjności, i określona w ten sposób dostępność to wartości związane z dobrze przetestowanym projektem, po odpowiednim okresie wzrostu niezawodności.

## 8.9 Środowiskowe

Ograniczenia środowiskowe:

Produkt powinien być używany w temperaturze otoczenia mieszczącej się w przedziale od  $-40^{\circ}\text{C}$  do  $+75^{\circ}\text{C}$

Produkt powinien być przechowywany w temperaturze otoczenia mieszczącej się w przedziale od  $-40^{\circ}\text{C}$  do  $+80^{\circ}\text{C}$

Produkt powinien być używany przy wilgotności otoczenia mieszczącej się w przedziale od 0% do 100% kondensacji.

Produkt spełnia wymagania odporności na kurz i wodę IP66, zgodnie z definicją zawartą w normie EN60529.

Produkt jest przeznaczony do pracy ciągłej.

## 8.10 Tolerancja na usterki sprzętowe

Współczynnik HFT (tolerancja na usterki sprzętowe) wynosi 0

## 8.11 Zdolność systemowa

Urządzenia IREX/IRmax należą do klasy SC2.

## 8.12 Klasyfikacja

IREX/IRmax jest komponentem typu B.

# Gwarancja

---

To wyposażenie opuszcza naszą fabrykę jako w pełni przetestowane i skalibrowane. Jeśli w ciągu okresu obowiązywania gwarancji, wynoszącego trzy lata od wysyłki, wyposażenie ulegnie awarii z powodu wadliwego wykonawstwa lub wadliwych materiałów, producent wedle własnego uznania wykona bezpłatną naprawę lub wymieni wyposażenie, pod następującymi warunkami.

## Procedura gwarancyjna

W celu ułatwienia skutecznego przetwarzania wszelkiego rodzaju roszczeń, należy skontaktować się z naszym działem wsparcia klienta pod numerem +44 (0)1235 557711, podając następujące informacje:

Nazwa kontaktowa, numer telefonu, numer faksu i adres e-mail.

Opis i ilość zwracanych towarów, z uwzględnieniem wszystkich akcesoriów.

Numerы seryjne przyrządu.

Przyczyna dokonania zwrotu.

W celu identyfikacji i śledzenia należy uzyskać formularz zwrotu. Formularz ten wraz z etykietami zwrotu można pobrać z naszej witryny internetowej [crowconsupport.com](http://crowconsupport.com). Możemy również wysłać kopię pocztą e-mail.

**Przyrządy IRmax bez Numeru Zwrotu Crowcon (CRN) nie będą akceptowane do obsługi gwarancyjnej. Konieczne jest mocne przytwierdzenie etykiety adresowej do zewnętrznego opakowania zwracanych towarów**

W przypadku stwierdzenia zmian, modyfikacji, demontażu lub manipulacji przy przyrządzie gwarancja zostanie uznana za nieważną. Gwarancja nie obejmuje nieprawidłowego lub niezgodnego z przeznaczeniem użycia urządzenia.

## Zrzeczenie się odpowiedzialności

Firma **Crowcon** nie ponosi żadnej odpowiedzialności za straty lub szkody wynikowe lub pośrednie, powstające w jakikolwiek sposób (z uwzględnieniem wszelkich strat lub szkód wynikających z zastosowania przyrządu). Ponadto firma **Crowcon** jednoznacznie wyklucza wszelką odpowiedzialność wobec stron trzecich.

Niniejsza gwarancja nie obejmuje dokładności kalibracji urządzenia ani wykończenia estetycznego produktu. Urządzenie należy konserwować zgodnie z instrukcjami obsługi i konserwacji.

Gwarancja dotycząca wymiany elementów zużywalnych (takich, jak lusterka), dostarczanych w ramach gwarancji w celu wymiany uszkodzonych elementów, jest ograniczona do niewygasłej gwarancji pierwotnie dostarczonego elementu.

Firma **Crowcon** zastrzega sobie prawo do określenia skróconego okresu gwarancji lub odrzucenia okresu gwarancji dla dowolnego czujnika dostarczonego w celu zastosowania w środowisku lub w celu, o którym wiadomo, że wiąże się z nim niebezpieczeństwo zniszczenia lub uszkodzenia czujnika.

Nasza odpowiedzialność dotycząca uszkodzonego wyposażenia jest ograniczona do zobowiązań ustanowionych w gwarancji i wszelkie rozszerzone gwarancje, warunki lub stwierdzenia, wyraźnie lub w dorozumiany sposób wynikające z ustaw, dotyczące jakości handlowej naszego sprzętu lub jego odpowiedniości do jakiegokolwiek konkretnego zastosowania, są wyłączone, z wyjątkiem przypadków ustawowo zabronionych. Niniejsza gwarancja nie wpływa na ustawowe prawa klienta.



Firma **Crowcon** zastrzega sobie prawo do zastosowania opłat za obsługę i transport, jeśli urządzenie zwrócone jako uszkodzone okaże się wymagać tylko normalnej kalibracji lub serwisu, których dokonania klient odmówi.

Aby zadać pytania dotyczące gwarancji i wsparcia technicznego, należy skontaktować się z:

**Dział wsparcia klienta**

**Tel: +44 (0) 1235 557711**

**Faks: +44 (0) 1235 557722**

**Email: [customersupport@crowcon.com](mailto:customersupport@crowcon.com)**



# Conteúdo

Conceito e segurança.....	197
Conceito do detector <b>IRmax</b> .....	197
Informações de segurança.....	198
Visão geral do produto.....	199
1. Introdução.....	200
1.1 Geral.....	200
1.2 Descrição do produto.....	200
2. Instalação.....	202
AVISO.....	202
2.1 Local.....	202
2.2 Montagem.....	203
2.3 Conexão de cabos diretamente ao detector <b>IRmax</b> .....	203
2.3.1 Designação de terminal.....	204
2.3.2 Como instalar o detector <b>IRmax</b> utilizando um suporte de montagem.....	204
2.4 Como instalar usando um adaptador de conexão e uma caixa de derivação auxiliar.....	205
2.4.1 Para encaixar o detector <b>IRmax</b> em uma caixa de derivação auxiliar:.....	206
2.5 Requisitos de cabeamento.....	206
2.6 Conexões e configurações.....	207
3. Operação.....	208
3.1 Procedimento de preparação.....	208
3.2 Manutenção de rotina.....	209
3.3 Como alterar tipos de gás.....	209
3.4 Respostas relativas de tipos de gás.....	210
4. Especificações.....	211
5. Acessórios e peças de reposição.....	212
6. Como localizar falhas.....	213
6.1 Erros indicados pela LED.....	213
6.2 Saída Analógica.....	213
7. Configuração do Modbus RS485.....	214
7.1 Geral.....	214
7.2 Topologias de cabeamento.....	215
7.2.1 Conexão estrela.....	215
7.2.2 Conexão de barramento linear.....	215
7.3 Requisitos de cabeamento.....	216
7.3.1 Como calcular o nível mínimo de energia necessária.....	216
7.3.2 Cálculo de amostra.....	216

8. Manual de Segurança Funcional .....	217
8.1 Introdução .....	217
8.2 Função de Segurança do IRmax e do Modbus do IRmax .....	217
8.3 Dados de Segurança Funcional.....	217
8.4 Configuração do Hardware .....	218
8.5 Configuração do Software .....	218
8.6 Falhas Sistemáticas.....	218
8.7 Intervalo de Diagnóstico.....	218
8.8 Restrições.....	218
8.9 Meio ambiente.....	219
8.10 Tolerância de Falha de Hardware (TFH) .....	219
8.11 Capacidade do Sistema.....	219
8.12 Classificação.....	219
Garantia.....	220

## Conceito do detector IRmax

**IRmax** é um detector infravermelho (IV) de gases ultra compacto que fornece uma detecção rápida e à prova de falhas de vapores e gases de hidrocarbonetos.

Com uma tecnologia de sensores IV com duplo comprimento de onda em uma resistente caixa de aço inoxidável 316, o detector **IRmax** foi projetado para operação nas áreas mais críticas. Ao contrário dos detectores de gases convencionais, o detector **IRmax** não possui aquecedores a fim de evitar condensação em janelas e espelhos. O revestimento STAY CLIR em componentes ópticos evita a formação de condensação enquanto o detector **IRmax** está em funcionamento.

O detector **IRmax** é compatível com qualquer sistema de controle 4-20mA e também pode ser instalado em uma rede endereçável RS485 Modbus. (consulte a Seção 7).

O detector **IRmax** requer somente 1 Watt de energia, em geral de 75 a 90% menos que os detectores de gases IV convencionais.

O detector **IRmax** inclui uma câmara de gases de difusão compacta que, em combinação com uma tampa à prova de intempéries eficaz, fornece uma excelente velocidade de resposta. A tampa à prova de intempéries foi projetada com uso de um software de modelação de fluxo a fim de permitir a exposição a gases remota e a calibração do detector **IRmax**, desta forma um adaptador de calibração especial não é necessário.

O **IR Display** torna possível monitorar as leituras do **IRmax** tanto localmente como remotamente. Um **IR Display** pode ser instalado diretamente no **IRmax**. Como alternativa, o **IRmax** pode ser fornecido com um módulo de barreira Intrinsecamente Seguro (IS) incluído. Um **IR Display** pode então ser conectado ao Módulo de barreira IS por um cabeamento temporário ou permanente. As opções disponíveis estão ilustradas no Diagrama 2, página 201.

Para mais informações sobre outros acessórios para o **IRmax**, consulte a Figura 3 na página 28 e a Seção 5, na página 39.

## Informações de segurança

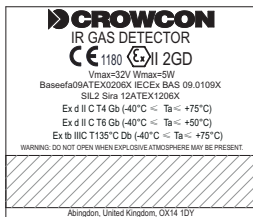
- Os detectores de gases **IRmax** devem ser instalados, operados e mantidos rigidamente de acordo com estas instruções, avisos, informações de rótulo e dentro das limitações indicadas.
- A porca da parte traseira do detector **IRmax** deve ser mantida firmemente fechada durante a operação. Não tente remover a porca traseira até que a alimentação elétrica para o detector **IRmax** esteja isolada – ou você poderá causar a ignição em uma atmosfera inflamável. Antes de remover a porca para realizar manutenção ou calibração, verifique se o ambiente que a envolve está livre de gases ou vapores inflamáveis. Não a abra até que se passem vários minutos após a remoção da alimentação elétrica.
- Operações de manutenção e calibração somente devem ser realizadas por funcionários de assistência qualificada.
- Somente peças de substituição genuínas da **Crowcon** devem ser utilizadas. Componentes de substituição invalidarão a certificação e a garantia do detector **IRmax**.
- Os detectores **IRmax** devem ser protegidos de vibrações extremas e da luz solar direta em ambientes quentes, pois isto pode fazer com que sua temperatura suba acima dos limites especificados e resulte em uma falha prematura.
- O detector **IRmax** não detecta hidrogênio, amônia ou dióxido de carbono.
- O equipamento deve ser aterrado usando um prensa cabos e cabo de aço blindado.
- Certificação para ambientes com poeiras Zona 21/22: O IRmax Básico (sem os módulos IR Display e Barreira IS) pode ser usado em ambientes que podem conter poeiras perigosas (Zonas 21 ou 22).
- O IRmax com um módulo Barreira IS pode ser usado em Zonas 21 ou 22 desde que a temperatura ambiente permaneça abaixo de 40°C e um IR Display Remoto ou IR Displays Portáteis estejam instalados/sejam usados somente fora da área perigosa.
- O IRmax com um IR Display fixo não pode ser instalado em uma área Zona 21 ou 22.

## Visão geral do produto

O detector **IRmax** é um detector de gases infravermelho projetado para detectar gases de hidrocarbonetos comuns na faixa de 0 a 100% LIE (Limite inferior de explosão: a concentração mínima no ar na qual uma ignição pode ocorrer).

O detector **IRmax** é um detector certificado à Prova de explosão (Exd) adequado para uso em áreas de risco de Zona 1 ou 2 ATEX. Consulte o rótulo de certificação na lateral do detector **IRmax** para identificar o tipo de certificação que está relacionado ao produto fornecido.

**Observação: se não existir nenhum rótulo de certificação no detector IRmax, ele não é certificado para uso em áreas perigosas.**



Etiqueta de certificação do **IRmax Básico**



Etiqueta de certificação do **IRmax com Barreira IS**



Etiqueta de certificação do **IRmax com IR Display Fixo**



Detectores com certificado para uso no Brasil



Diagrama 1: Rótulos de certificação do detector **IRmax**

# 1. Introdução

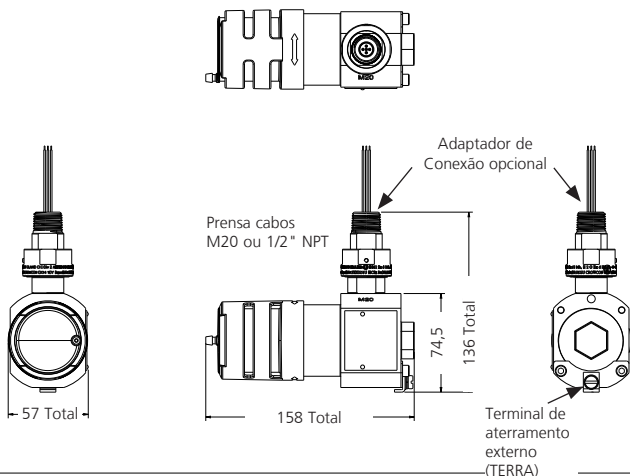
## 1.1 Geral

A configuração de cada detector **IRmax** está identificada em um rótulo localizado no corpo principal. Ao entrar em contato a **Crowcon** para obter assistência ou peças, forneça o nome do produto, o número de peça e o número de série.

## 1.2 Descrição do produto

O detector **IRmax** inclui o corpo principal de aço inoxidável 316, uma tampa antiestática à prova de intempéries no sistema óptico e na câmara de medição de gás e uma montagem eletrônica. Também é possível incluir um Módulo do **IR Display**. As instruções para a instalação do **IR Display** aparecem no manual do **IR Display** (M07061).

Um adaptador de conexão pode ser fornecido para permitir que o detector **IRmax** seja encaixado diretamente na caixas de derivação auxiliares com entradas de cabo M20 ou 1/2" NPT.



Todas as dimensões em milímetros

Diagrama 2: Visualização dimensionada do detector **IRmax**

**Observação:** o corpo do detector **IRmax** é fornecido com duas entradas de cabo: M20 e 1/2" NPT. A entrada de cabo não especificada no momento da encomenda do detector **IRmax** será selada com um tampão certificado. O **IRmax** deve ser instalado com as duas entradas de cabos vedadas: uma com um prensacabos e a outra com um tampão de proteção com certificado IP66.



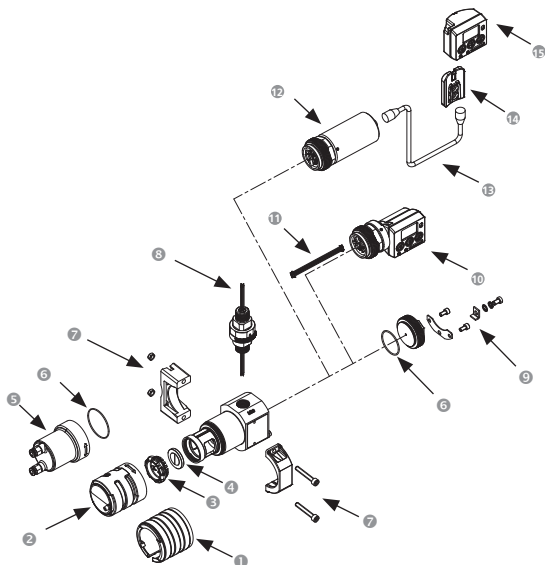


Diagrama 3: Visualização expandida do detector *IRmax* (os números de peças estão exibidos se aplicável)

- ① Adaptador de calibração M041007
- ② Tampa a prova de intempéries M04995
- ③ Fixador de espelho } Fornecido junto como "kit de substituição da lente óptica" C011206
- ④ Espelho }
- ⑤ Adaptador de fluxo S012996
- ⑥ Anel em "O" para a contraporca, **Módulo Barreira IS** ou **Módulo IR Display Fixo**: M040077
- ⑦ Suporte de montagem como conjunto completo S012130
- ⑧ Versões M20 ou 1/2" NPT de adaptador de conexão: M20 ATEX: S012147, 1/2" NPT ATEX: S012190
- ⑨ Placa de fixação e parafusos para o tampão traseiro, **módulo IR Display Fixo** e **Barreira IS**.
- ⑩ Versão fixa do **IR Display**
- ⑪ **IR Display** para conector do detector **IRmax** E07987
- ⑫ Módulo de barreira IS
- ⑬ Condutor de conexão do **IR Display**
- ⑭ Entrada ing de montagem do **IR Display** remoto M03833
- ⑮ **IR Display Remoto**

## 2. Instalação

---

### AVISO

- Este detector IRmax é projetado para uso em áreas perigosas Zonas 1 e 2 e a certificação irá depender dos acessórios instalados e da temperatura operacional do ambiente. Consulte a tabela de especificações na página 14 para obter os detalhes da certificação. A instalação deve estar de acordo com os padrões reconhecidos da autoridade apropriada do país em questão.
- Para obter mais informações, entre em contato com a Crowcon. Antes de iniciar qualquer trabalho de instalação, certifique-se de seguir os regulamentos locais e os procedimentos da área.
- O equipamento deve ser aterrado usando um prensa cabos e cabo de aço blindado.
- Não tente encaixar um IR Display em um detector IRmax que não foi fornecido para este propósito. O detector IRmax fornecido para uso com um visor é certificado por Exd ia e deve ser operado com um visor fixo que contenha uma barreira IS ou com um visor Remoto ou Portátil conectado por um módulo de barreira IS da Crowcon.
- Os detectores IRmax fornecidos sem um visor são certificados por Exd IIC e não podem ser retro-instalados para uso com um IR Display.

### 2.1 Local

O detector **IRmax** deve ser montado onde há a maior probabilidade de presença dos gases a serem detectados. Ao escolher uma localidade para detectores de gases, observe o seguinte:

- Para a detecção de gases mais leves que o ar, como o metano, os detectores devem estar montados em um nível alto. Para detectar gases mais pesados que o ar, como vapores inflamáveis, os detectores devem estar montados em um nível baixo.
- Ao posicionar os detectores, considere a possibilidade de danos causados por eventos naturais, como chuvas ou inundações. Para detectores montados em áreas externas em regiões de temperaturas altas, a **Crowcon** recomenda o uso de um protetor solar (consulte a Seção 5, Acessórios e peças de reposição, na página 212).
- Considere uma área de fácil acesso para a realização de testes funcionais e de assistência.
- Considere como os gases sendo emitidos podem se comportar dependendo de correntes de ar naturais ou forçadas. Monte o detector **IRmax** em dutos de ventilação se for apropriado (consulte a Seção 5, Acessórios e peças de reposição, na página 212).
- Considere as condições do processo. Por exemplo, o butano é geralmente mais pesado que o ar, mas se ele for liberado de um processo em uma pressão e/ou temperatura elevada, o gás pode subir em vez de descer.

O posicionamento dos sensores deve ser determinado seguindo o direcionamento de profissionais com conhecimentos especialistas em dispersão de gases, no equipamento de operações da instalação e também em relação à engenharia e segurança. É recomendável registrar a decisão final a respeito do posicionamento dos sensores.

## 2.2 Montagem

O detector **IRmax** pode ser montado de três maneiras:

1. Com a utilização do suporte de montagem da **Crowcon** conectado diretamente ao cabo de campo (somente operação 4-20mA).
2. Com a utilização de um prensaestopas para conexão com uma caixa de derivação existente certificada por Exe ou Exd. A **Crowcon** fornece uma bucha de encaixe adequada como extra opcional (veja 3 abaixo)
3. Com a utilização de um adaptador de conexão e de uma caixa de derivação auxiliar opcional **Crowcon**.

As partes opcionais estão listadas na Seção 5 na página 212.

O detector **IRmax** deve ser instalado na localidade designada com o tambor do sensor em posição horizontal +/- 15° (demonstrada no Diagrama 2 da página 200). Isto garantirá que poeira ou água não se acumulem nos componentes ópticos.

## 2.3 Conexão de cabos diretamente ao detector IRmax

Esta opção está disponível somente para a operação 4-20mA. É necessário ter um suporte de montagem da **Crowcon** para instalar o detector em uma parede ou em um tubo de 2" (50 mm).

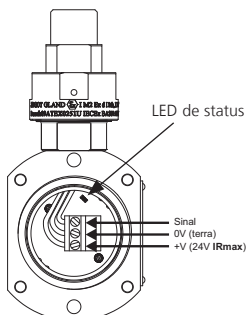
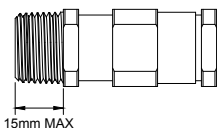


Diagrama 4: Conexões dos cabos de campo do *IRmax*

Conecte aos cabos de campo utilizando uma prensa certificada na entrada de cabo escolhida do corpo do detector **IRmax** (M20 ou 1/2" NPT). A **Crowcon** recomenda instalar o prensa cabos apontando para baixo.



Certifique-se de usar prensa cabos com a certificação Exd apropriada e que o comprimento da rosca não exceda o especificado no diagrama (esquerda).

## 2. Instalação

### 2.3.1 Designação de terminal

Com o **IRmax** posicionado conforme demonstrado no Diagrama 2 na página 200 (entrada do cabo M20 no topo), o cabo de campo de 3 núcleos da instalação deve ser conectado ao terminal com uso de um conector removível conforme o seguinte:

+24 V na parte inferior, 0V no meio, Sinal na parte superior.

O conector de 6 pinos à direita da PCI é destinado para manutenção e/ou conexão de um módulo do **IR Display**

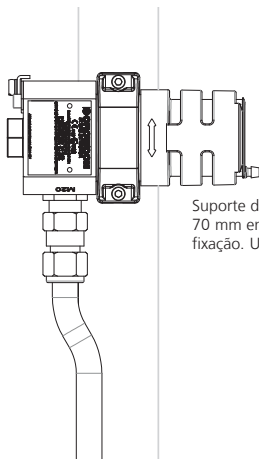
Terminal +ve: fornecimento de +ve do cartão de controle.

Terminal Sig: Sinal do cartão de controle.

Terminal 0 V: fornecimento de -ve do cartão de controle.

### 2.3.2 Como instalar o detector **IRmax** utilizando um suporte de montagem

- O **IRmax** pode ser fornecido com um suporte de montagem (S012130), em vez de um prensaestopas, para que ele possa ser conectado diretamente aos cabos de campo (consulte o Diagrama 5).



Suporte de montagem:  
70 mm entre os centros de  
fixação. Use parafusos M6.

Diagrama 5: Detetor **IRmax** com um suporte de montagem e um prensa cabos

- Se o detetor **IRmax** estiver sendo montado em uma superfície plana, marque e faça os dois furos com o uso do suporte para montagem como modelo. Encaixe levemente as duas partes do suporte utilizando acessórios adequados para parede/superfície.
- Remova a tampa à prova de intempéries do **IRmax** e deslize o corpo do **IRmax** pelo suporte. É recomendável que o corpo do detetor **IRmax** esteja instalado com a entrada

- do cabo apontando para baixo.
- Aperte os dois acessórios do suporte para que detector **IRmax** fique firmemente seguro no local. Encaixe a tampa à prova de intempéries de volta.
  - Depois de posicionar o detector **IRmax** de forma segura no local, remova a sua porca traseira para permitir acesso aos terminais dos cabos.
  - Prepare o cabo: a **Crowcon** recomenda o cabo de fio de aço blindado (SWA) de 1,5 mm<sup>2</sup>. Outros tipos de cabos podem ser usados se forem compatíveis com os adaptadores certificados por Exd. Encaixe um prensa cabos adequado e certificado por Exd, passe os condutores do cabo pelo corpo do detector **IRmax** e parafuse-o no prensa cabos. Encaixe a prensa e verifique se a proteção do cabo está aterrada ao prensa cabos e ao corpo do detector **IRmax**. Nota: não se esqueça de encaixar a porca traseira de volta após instalar o cabo.
  - A placa de fixação (item 9 no Diagrama 3, na página 201) deve ser montada firmemente para evitar qualquer risco de a porca traseira (ou o acessório do módulo **IR Display Fixo** ou **Barreira IS**) ficar frouxa com a vibração.

### 2.4 Como instalar usando um adaptador de conexão e uma caixa de derivação auxiliar

Será necessário usar esta opção ao conectar o detector **IRmax** a uma caixa de derivação auxiliar existente certificada por Exd ou Exe.

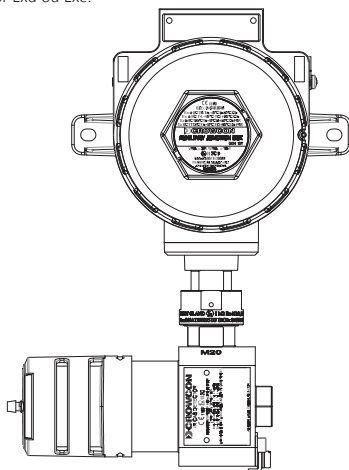


Diagrama 6: Detetador *IRmax* conectado a uma caixa de derivação auxiliar

## 2. Instalação

### 2.4.1 Para encaixar o detector IRmax em uma caixa de derivação auxiliar:

- Remova cuidadosamente a seção exterior do adaptador de conexão (item 8 no Diagrama 3 na página 201).
- Parafuse a extremidade estreita do adaptador de conexão na caixa de derivação auxiliar.
- Levante o detector **IRmax** para a caixa de derivação auxiliar e passe os fios pela montagem e para dentro da caixa. Fixe o detector **IRmax** parafusando o anel firmemente ao prensa cabos. Aperte o parafuso sem cabeça.
- O corpo principal do detector **IRmax** pode ser virado horizontalmente em qualquer ângulo desde que esteja mecanicamente seguro, não interfira com outro equipamento e que seja acessível para manutenção.
- Consulte a Seção 2.6 para obter instruções sobre o cabeamento. Consulte também o Diagrama 4 (página 203).

## 2.5 Requisitos de cabeamento

A conexão de cabos ao detector **IRmax** deve estar de acordo com os padrões reconhecidos da autoridade apropriada do país em questão e deve atender aos requisitos elétricos do detector **IRmax**.

A **Crowcon** recomenda o uso de cabo de fio de aço blindado (SWA) além do uso de presas apropriadas à prova de explosões. Técnicas de cabeamento alternativas, como condutos de aço, são aceitáveis com a condição que elas atendam aos padrões adequados.

O comprimento máximo de cabo recomendável é de 3,4 km (veja a Tabela 1).

O detector **IRmax** requer uma alimentação dc de 12 - 30 Vdc. Verifique se há um mínimo de 12 V no detector **IRmax** do painel de controle, levando em consideração uma queda de tensão devido à resistência do cabo em uma corrente pico de 0,1 A.

Um cabo de 1,5 mm<sup>2</sup> geralmente permitirá execuções de cabo de até 3,0 km. A tabela 1 abaixo demonstra as distâncias máximas para os parâmetros típicos de cabos.

C.S.A.	Resistência	Distância máx. >20 V	Distância máx. 18 a 20 V
mm <sup>2</sup>	(Ohms por km)	(km)	(km)
1,0	18,4	2,2	1,6
1,5	13,0	3,0	2,3
2,5	11,5	3,4	2,6

Tabela 1: distâncias máximas para cabos típicos

## 2.6 Conexões e configurações

Todas as conexões descritas possuem referência ao bloco terminal montado no corpo principal do conector do detector **IRmax**. Os terminais no conector do detector **IRmax** da PCI estão marcados com '+', 'sig' e '0 V'. Verifique a polaridade correta ao conectar o detector **IRmax** ao equipamento de controle.

O detector **IRmax** está configurado por fábrica como um dispositivo 'dreno de corrente', a menos que seja especificado de outra forma no momento da encomenda. Para redefinir como 'fonte de corrente', remova a placa traseira e mova as duas conexões no terminal da PCI da posição 'dreno' para a 'fonte', conforme mostrado no Diagrama 7.

**Observação:** O terminal de aterramento externo somente deve ser usado quando as autoridades locais permitirem ou solicitarem este tipo de conexão. Quando possível, para limitar a interferência de frequência de rádio, a caixa de derivação auxiliar e a blindagem de cabo devem ser aterradas no painel de controle (área segura) somente para evitar loop de terra.

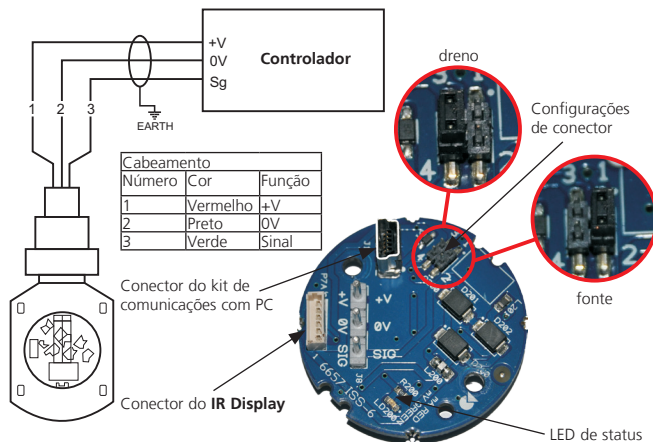


Diagrama 7: Localidade de conector de dreno/fonte

O sinal 4-20 mA pode ser definido como corrente 'Dreno' ou 'Fonte' com o uso dos pinos e do conector mostrado no Diagrama 7. Defina como "Carga" de corrente instalando o conector nos pinos 3 e 4 como está ilustrado na fotografia à esquerda. Defina como "Fonte" de corrente instalando o conector nos pinos 1 e 2 como está ilustrado na fotografia à direita. Os detectores **IRmax** estarão definidos como corrente 'Dreno' a não ser que tenha sido especificado ao contrário no momento da encomenda.

**Indicação LED:** Uma LED está incluída no terminal da PCI para indicar o status de operação atual. Consulte a Seção 6 na página 213 para obter mais informações.

## AVISO

Antes de executar qualquer trabalho, certifique-se de seguir os regulamentos locais e os procedimentos da área. Nunca tente abrir o detector IRmax ou a caixa de derivação auxiliar quando algum gás inflamável estiver presente. Verifique se o controle de painel associado está inibido para que alarmes falsos sejam evitados.

### 3.1 Procedimento de preparação

1. Verifique:
  - a. Se as conexões de cabo estão corretas
  - b. Se a alimentação de tensão está definida no cartão de controle como de 18 a 30 V. A tensão medida nos terminais do detector **IRmax** (na caixa de derivação auxiliar Exe, se usada, ou na PCI do terminal do detector **IRmax**) deve estar definida entre 12 e 30 V.
  - c. Se as conexões estão definidas para dreno ou fonte 4-20 mA, conforme apropriado ao cartão de controle.
2. Depois de acionar, aguarde 30 minutos antes de tentar zerar/cal. Este atraso existe para garantir a estabilidade térmica. (**Observação: O detector IRmax estará completamente operacional depois de 30 segundos de sua ativação.**)
3. Certifique-se de que somente exista ar limpo (por exemplo, sem gases de hidrocarbonetos) antes de zerar. Leitura Zero no cartão de controle (consulte as instruções do cartão de controle).
4. Encaixe o adaptador de calibração na tampa à prova de intempéries para isolar a câmara de medidas do ar ambiente. Esse tipo de cobertura está disponível pela **Crowcon** (M041007). Conecte o gás de calibração (50% de LIE nom) e aplique em uma vazão de 1 litro por minuto.
5. Após 30 segundos, ajuste cal./span no cartão de controle para que o visor leia 50% LIE ou se corresponda à concentração do gás de calibração aplicado. O detector **IRmax** não requer calibração.
6. Remover o adaptador de calibração e o gás. Realize o zero novamente.
7. Na instalação, ou após a alteração do espelho, o detector **IRmax** pode ser zerado e calibrado usando um acessório **IR Display** (consulte a página 197) ou por um Kit de Comunicações para PC (consulte o **Manual Acessórios da IRmax** ).

**Observação: Detectores IRmax certificados por ATEX serão fornecidos calibrados em conformidade ao EN61779 (onde, por exemplo, 100% LIE Metano = 4,4% de volume).**

**Observação: é recomendável usar o adaptador de calibração para a preparação inicial. As calibrações subsequentes podem ser conduzidas aplicando gás na tampa à prova de intempéries remotamente pela ponta do tubo (evitando assim a necessidade de acessar diretamente o detector IRmax). Uma calibração sem o adaptador de calibração (por exemplo, diretamente pela tampa à prova de intempéries) pode ser executada desde que a velocidade do vento local esteja abaixo de 2 metros/segundo. A vazão do gás deve ser**



superior a 2,0 litros/minuto.

### 3.2 Manutenção de rotina

As práticas locais determinarão com qual frequência o detector **IRmax** deve ser testado. A **Crowcon** recomenda testar o **IRmax** a gás pelo menos a cada 6 meses e recalibrar conforme necessário. Para recalibrar um detector **IRmax**, siga as etapas fornecidas na Seção 3.1.

No caso de uma falha eletrônica, entre em contato com o seu representante local da **Crowcon**.

Intervalo de tempo para calibração: A **Crowcon** recomenda a calibração a cada 12 meses.

Calibração remota pela tubulação: Wind speed should be less than 2.0 metres per second. If greater, use the calibration cap to prevent gas dilution.

Limpeza dos ópticos: **Não é recomendável** a menos que o detector **IRmax** tenha uma falha de obscurecimento. Se a janela ou a lente óptica ficarem contaminadas, limpe cuidadosamente com lenços impregnados IPA e/ou com o pano macio fornecido no kit de limpeza da lente óptica (consulte a Seção 5, **Acessórios e peças de reposição** na página 212).

Espelhos: Se a lente óptica estiver danificada, obtenha um kit de substituição da lente óptica (consulte a Seção 5, **Acessórios e peças de reposição** na página 212). O detector **IRmax** deve sempre ser zerado e calibrado novamente após uma substituição de espelho.

Se condensação começar a causar falhas, substitua o espelho (a cobertura óptica pode estar danificada). A **Crowcon** recomenda substituir o espelho a cada 5 anos.

### 3.3 Como alterar tipos de gás

Cada detector **IRmax** é fornecido pré-calibrado para um tipo de gás em particular (por exemplo, metano ou propano). Se for necessário recalibrar para um tipo de gás diferente, o **IRmax** pode ser reconfigurado usando o kit de comunicações para PC (consulte a Seção 5, **Acessórios e peças de reposição** na página 212), e depois calibrado.

## 3. Operação

### 3.4 Respostas relativas de tipos de gás

O gráfico abaixo demonstra as respostas relativas a outros tipos de gases para um detector **IRmax** calibrado para metano.

**Nota: muitos gases e vapores de hidrocarbonetos são detectados com mais facilidade do que o metano pelos detectores infravermelhos. A resposta do IRmax (e de outros detectores de gases infravermelhos) será linear em todo intervalo de 0-100% LIE para o gás alvo (isto é, metano neste exemplo), mas não linear para outros gases de hidrocarbonetos que também possam estar presentes.**

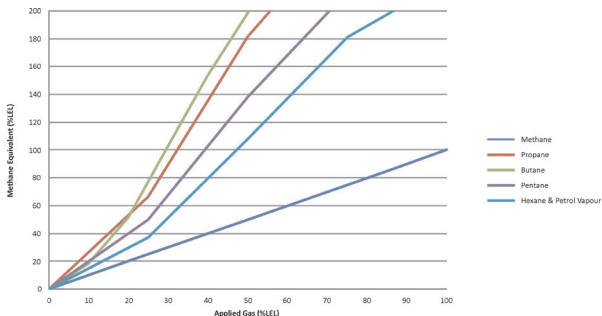


Diagrama 8

O diagrama mostra a resposta dos gases mencionados acima: da esquerda para a direita, etano, propano, butano, pentano e metano.

Outros tipos e variações de gases estão disponíveis. Entre em contato com a **Crowcon** para obter mais detalhes.

## 4. Especificações

Material do Invólucro	Aço inoxidável 316
Dimensões (somente detector <b>IRmax</b> )	150 mm x 75 mm x 66 mm (sem bocal)
Peso	<b>IRmax</b> 1,58kg (3,5 lbs) <b>IRmax</b> com <b>IR Display</b> Fixo 2 kg (4,4 lbs) <b>IRmax</b> com Módulo de Barreira IS 2,4 kg (5,3 lbs) <b>IR Display</b> Remoto 0,2 kg (0,4 lbs)
Tensão de operação	de 12 Vdc a 30 V dc
Alimentação	< 1 W
Saída	3 fios 4 - 20 mA (Dreno ou Fonte)
Sinal de falha	<1 mA
Resistência de loop máxima de cabo	80 Ohms (relativo ao terminal negativo)
Temperatura operacional	de -40°C a +75°C (-40°F a +167°F)
Umidade	0 – 100% de umidade relativa
Grau de proteção	IP66
Proteção contra explosão	À prova de explosão
No de certificado de segurança: NCC 11.099 X	Ex d IIC T6 Gb (-40°C ≤ Ta ≤ +50°C) versão sem display Ex d IIC T4 Gb (-40°C ≤ Ta ≤ +75°C) versão sem display Ex d ia IIC T4 Gb (-40°C ≤ Ta ≤ +75°C) versão com display <ul style="list-style-type: none"><li>• usuário tem responsabilidade de assegurar que o produto será instalado em atendimento as instruções do fabricante e à norma ABNT NBR IEC 60079-14 – Instalação elétrica em áreas classificadas.</li><li>• A letra X no número do certificado indica a seguinte condição especial para uso seguro:<ul style="list-style-type: none"><li>- O equipamento deve ser aterrado utilizando o prensa-cabo e cabo armado.</li></ul></li></ul>
Segurança funcional	Certificado para uso num sistema SIL 2. Número do certificado: Sira 12ATEX1206X
Padrões	EN60079-0:2006, EN60079-1:2004, EN60079-29-1: 2007, EN61779 IEC61508: 2010, EN50402: 2005
Zonas	Certificado para uso em Zona 1 ou Zona 2
EMC	EN50270

## 5. Acessórios e peças de reposição

Código	Nome	Descrição
M041007	Adaptador de calibração	Encaixa no detector para permitir a calibração quando a velocidade do vento local for superior a 2 metros por segundo.
S012130	Kit suporte de montagem	Permite montagem em uma parede ou tubo de 2" (50 mm). Não é necessário se o detector <b>IRmax</b> já tiver uma caixa de junção existente instalada.
S012152	Cone coletor/protetor solar	Pode ser instalado no detector <b>IRmax</b> para proteção contra temperaturas elevadas devido luz direta do sol e/ou aumentar a área de cobertura dos detectores para que gases mais leves que o ar sejam detectados (metano).
S012169	Kit de montagem de duto	Permite a monitoração de dutos de 300 mm a 3000 mm e fluxo de ar entre 2 m/s e 20 m/s.
S012996	Adaptador de fluxo	Para aplicativos de amostragem de gás.
S012827	Kit de Comunicações para PC	Módulo de comunicações, software e conector que permitem a configuração do detector <b>IRmax</b> .
M20: S012295 ½" NPT: S012296	Auxiliary junction box	Opção de montagem do <b>IRmax</b> para uso em ambientes perigosos.
C011210	Kit de limpeza de espelho	Contém limpadores com álcool isopropílico (IPA) e tecido de microfibras

### Peças do detector IRmax

Consulte o Diagrama 3 na página 201 para detalhes a respeito das peças de reposição.

## 6. Como localizar falhas

### 6.1 Erros indicados pela LED

A LED instalada no terminal PCB pode ajudar a identificar falhas. A sua posição está demonstrada no Diagrama 7 na página 207. A tabela abaixo mostra como interpretar o que há de errado em cada padrão de piscadas.

Padrão de LED	Status do detector IRmax	Ação
Piscadas regulares a cada segundo.	Saudável.	
Ligada com períodos curtos sem iluminação.	Detector <b>IRmax</b> no modo de inicialização.	Aguarde 10 segundos.
Padrão de piscadas irregulares ou luz ativada e desativada.	Tensão de alimentação baixa ou alta demais.	Verifique se a tensão de alimentação do detector <b>IRmax</b> está definida corretamente. Verifique se a medição foi realizada diretamente dos terminais do detector <b>IRmax</b> .
Sempre ligada.	Falha, erro de host ou i-módulo.	Realize um ciclo de energia no detector <b>IRmax</b> . Se o problema continuar, retorne-o à <b>Crowcon</b> .
Duas longas piscadas seguidas por uma piscada curta.	Erro fatal; falha da lâmpada ou do detector <b>IRmax</b> .	Retornar à <b>Crowcon</b> ou Representante.
Piscada dupla rápida a cada segundo.	Erro fatal; falha de configuração ou módulo.	Verifique as configurações do detector <b>IRmax</b> usando o software para Kit de Comunicações para PC. Verifique a alimentação elétrica. Se o problema continuar, devolva-o à <b>Crowcon</b> .
Luz apaga rapidamente a cada segundo.	Os ópticos foram obstruídos.	Verifique a janela e o espelho, limpe-os se necessário. Zere o detector <b>IRmax</b> novamente e verifique a calibração.

Quaisquer outras falhas somente poderão ser reparadas perante a devolução do detector **IRmax** à **Crowcon** ou a um agente de serviços autorizados.

### 6.2 Saída Analógica

O **IRmax** permanecerá em estado de Defeito e aparecerá "Manutenção necessária" (Service required) no **IR Display** (se instalado) se o sinal analógico de saída tiver falhado ou se não estiver conectado a um sistema de controle ou resistência de carga. O **IRmax** monitora ativamente o sinal analógico de saída de 4-20 mA para verificar se está dentro da faixa. Se o sinal estiver fora da faixa, o detector passa ao estado de defeito e a saída é definida para 1 mA. Assim, ao testar um detector, é imprescindível que ele esteja conectado a um painel de controle ou que uma resistência de carga de 100  $\Omega$  esteja conectada entre os terminais de "0 V" e "Sig" (detector definido no modo "Fonte") ou entre os terminais de "0 V" e "Pos" (detector definido no modo "Carga").

# 7. Configuração do Modbus RS485

## 7.1 Geral

Esta seção explica como usar os detectores **IRmax** em uma configuração Modbus. Uma versão ativada RS485 está disponível para estes aplicativos. Até 28 detectores **IRmax** podem ser vinculados nas configurações de estrela ou de barramento, conforme descrito abaixo.

As conexões para a versão RS485 do detector **IRmax** devem ser feitas por um adaptador de conexão para uma caixa de junção (consulte a Seção 5 na página 200), em vez de ser cabeada diretamente no detector **IRmax**.

Observe que o **IR Display** não pode ser usado com um **IRmax** ativado com RS485.

A versão ativada por RS-485 do detector **IRmax** possui cinco terminais de campo. Os terminais são:

1	Alimentação positiva	12 V a 30 V acima de 0 V
2	0 V	Retorno e referência RS485
3	4-20 mA sinal	Sinal fonte ou dreno (opcional)
4	RS485 B	Sinal diferencial RS485
5	RS485 A	Sinal diferencial RS485

Os sinais nos terminais RS485 estão em conformidade com o padrão EIA/TIA-485, o que significa que o intervalo de modo comum é de -7V a +12V em relação ao terminal 0V.

Observe que nem todos os fabricantes de RS485 concordam com a polaridade dos sinais A e B. Se o cabeamento não funcionar de alguma forma, os usuários devem alternar os fios A&B do RS485. Não há nenhum risco se uma conexão errada for realizada.

As configurações de comunicação são de 9600 bps, dois bits de parada e nenhuma paridade.

Ao compilar uma interface para um sistema de controle, é importante considerar a quantidade de tempo que o sistema leva para coletar informações de cada detector por vez. A velocidade mais rápida, na qual vários detectores podem ser reunidos, é de 14 detectores por segundo, mas condições práticas podem reduzir isto para 7 por segundo. Os usuários devem se certificar de que o ajuste permita que sinais de alarme sejam registrados dentro de limites de tempo aceitáveis.

Também é importante certificar-se de que o sistema seja capaz de fornecer energia suficiente para manter todos os detectores em funcionamento. Para calcular a quantidade de energia necessária em uma conexão de barramento linear, consulte Seção 7.3, **Requisitos de cabeamento**, na página 216.

Para obter instruções completas sobre Modbus, entre em contato com a **Crowcon** (endereços localizados na capa traseira).

## 7.2 Topologias de cabeamento

As duas topologias comuns de cabeamento em uso são a conexão estrela e o barramento linear.

### 7.2.1 Conexão estrela

Em uma topologia conectada por estrela, todos os detectores **IRmax** estão conectados por fios em um ponto central, que geralmente é o painel de controle. Nenhum dos cabos são requeridos a ter mais de 5 núcleos e todas as conexões de sinal 4-20 mA são direcionadas diretamente para o painel de controle.

Os sinais RS485 A e B podem então ser conectados todos juntos em um ponto de estrela. O barramento pode então ser encerrado no ponto de estrela com um único resistor de terminação de 110 ohm.

O comprimento de cada braço da estrela não pode exceder 750 metros.

### 7.2.2 Conexão de barramento linear

Em uma topologia conectada por barramento, todos os detectores **IRmax** estão cabeados por fio a um ajuste linear, geralmente com o painel de controle em uma extremidade. Uma situação clássica seria uma instalação de túnel, com os detectores **IRmax** instalados em intervalos regulares (consulte o Diagrama 9 abaixo).

Para fazer as ligações da instalação, devem ser montados dois resistores de terminação de 110 ohm: um em cada extremidade física do barramento.

Como os sinais 4-20mA não podem ser compartilhados, um condutor adicional é necessário em cada salto de cabeamento. Se nenhum dos sinais 4-20 mA estão sendo usados, somente quatro condutores serão necessários.

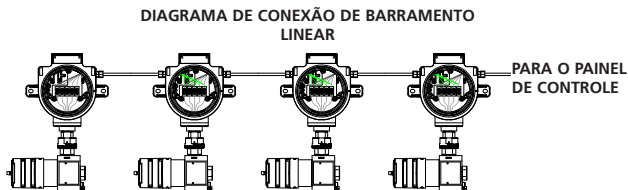


Diagrama 9

## 7. Configuração do Modbus RS485

### 7.3 Requisitos de cabeamento

#### 7.3.1 Como calcular o nível mínimo de energia necessária

Quanto mais detectores **IRmax** estiverem conectados ao barramento linear, uma maior quantidade de energia será necessária para executar o sistema. Para calcular a energia necessária para uma configuração em particular, é necessário saber a resistência do cabo entre cada par de detectores **IRmax**. Uma corrente de pelo menos 0,1 mA deve ser permitida para cada 'salto' entre os detectores **IRmax**. A tensão a ser aplicada pode ser calculada estimando a queda de tensão em cada 'salto' – no final, pelo menos 12 V devem permanecer para garantir que o último detector **IRmax** funcione corretamente.

Entre em contato com a **Crowcon** para obter assistência sobre casos específicos. Como alternativa, siga as etapas descritas abaixo e o cálculo de amostra mostrado na próxima seção.

1. A tensão não deve cair abaixo de 12 V, logo comece o cálculo definindo a tensão no último detector **IRmax** da linha na válvula.
2. Cada detector **IRmax** pode chegar a 0,1 A. Calcule a perda de tensão do cabo do primeiro 'salto' entre os detectores assumindo a 'corrente agregada' como 0,1 A e multiplique isto pela resistência de cabo do 'salto' entre o último e o "último menos um" detector **IRmax**.
3. Adicione esta queda de tensão ao 12 V inicial para obter a tensão mínima aceitável no último e único detector **IRmax**. Adicione 0,1 A ao valor para a 'corrente agregada' para obter 0,2 mA, a corrente mínima correndo através do último, porém único, 'salto' do barramento. Multiplique isto pela resistência do cabo para o último, porém único 'salto' para obter a próxima queda de tensão.
4. Repita este processo para cada detector **IRmax**, acumulando as perdas de tensão que irão ocorrer entre cada detector **IRmax**.
5. A tensão do detector **IRmax** máxima de 30 V não deve ser excedida.

#### 7.3.2 Cálculo de amostra

Como exemplo, em seguida estão os resultados de cálculos de seis detectores **IRmax** espaçados igualmente 250 m uns dos outros no cabo com uma área de seção transversal de 1 mm<sup>2</sup>. Cada salto possui uma resistência de 4,6 ohms.

Estação	Tensão de alimentação	Corrente de alimentação
1	12	0,1 A
2	12,46	0,2 A
3	13,38	0,3 A
4	14,76	0,4 A
5	16,6	0,5 A
6	18,9	0,6 A
Alimentação de painel	21,66	0,6 A



# 8. Manual de Segurança Funcional

## 8.1 Introdução

As seções a seguir fornecem detalhes sobre a certificação do IRmax de acordo com as normas de Segurança Funcional IEC 61508 e EN 50402. São dadas informações sobre as características consideradas no caso de segurança, requisitos de manutenção e dados para permitir que o IRmax seja integrado no Sistema de Instrumentos de Segurança (SIS).

## 8.2 Função de Segurança do IRmax e do Modbus do IRmax

Para medir a concentração de gás inflamável e indicar a medida por meio de uma saída de 4-20 mA.

Falhas relativas à função de segurança serão detectadas pelo hardware e firmware associado. Elas serão reveladas como uma saída de menos de 3,6 mA ou mais de 21 mA.

## 8.3 Dados de Segurança Funcional

Nome do parâmetro	Símbolo	Equação / Fonte	IRmax
Intervalo de Teste de Prova	T1	Conforme definição da Crowcon.	8.760 horas (anuais)
Tempo médio para reparar	MTTR	Conforme definição da Crowcon.	8 horas
Tipo A/B	Tipo A	Conforme definição da Crowcon.	Tipo B
Total de falhas:	$\lambda$	Da FMEDA	1.04E-05
Falhas seguras diagnosticadas:	$\lambda_{SD}$	Da FMEDA	1.95E-08
Falhas seguras não diagnosticadas:	$\lambda_{SU}$	Da FMEDA	8.59E-08
Falhas perigosas diagnosticadas:	$\lambda_{DD}$	Da FMEDA	9.74E-06
Falhas perigosas não diagnosticadas:	$\lambda_{DU}$	Da FMEDA	5.06E-07
Falhas seguras sem efeito:	$\lambda_{NE}$	Da FMEDA	3.21E-09
Cobertura de diagnóstico:	DC	$\lambda_{DD} / (\lambda_{DU} + \lambda_{DD})$	95.06%
Fração de falhas seguras:	SFF	$(\lambda_{SD} + \lambda_{SU} + \lambda_{DD}) / \lambda$	95.11%
Tempo de paralisação equivalente do canal	$t_{CE}$	$(\lambda_{DU} / \lambda_{DD})(T/2 + MTTR) + (\lambda_{DD} / \lambda_{DD}) MTTR$	2.24E+02
PFDAVG (usando a equação 61508-6)	$PFD_{AVG}$	$(\lambda_{DU} + \lambda_{DD}) t_{CE}$	2.30E-03
PFDAVG (usando equação simplificada)	$PFD_{AVG}$	$\lambda_{DU} (T / 2 + MTTR) + (\lambda_{DD} MTTR)$	2.30E-03
PFDAVG (usando a equação IEC 61508-6)	$PFD_{AVG}$	$1 - e^{-(\lambda_{DD} + \lambda_{DU}) t_{ce}}$	2.30E-03
Capacidade SIL (modo baixa demanda)			<b>SIL2</b>
Capacidade SIL (modo alta demanda)			<b>SIL2</b>

**Para aplicações de baixa demanda**, com respeito a falhas aleatórias de hardware e fração de falha segura, todas as versões do sistema são adequadas para uso em aplicações SIL 2.

## 8.4 Configuração do Hardware

A Rota 1H (tolerância de falha de hardware e fração de falha segura) foi usada para avaliar o nível de integridade de segurança do hardware.

## 8.5 Configuração do Software

A avaliação do firmware do produto foi feita de acordo com os requisitos da norma IEC 61508:3 2010.

## 8.6 Falhas Sistemáticas

A Rota 1S (conforme especificação na IEC 61508:2 2010 parágrafo 7.4.2.2c) é usada para conformidade com os requisitos de evitar falhas sistemáticas.

## 8.7 Intervalo de Diagnóstico

A maioria das funções de diagnóstico são monitoradas continuamente.

Testes do watchdog do sistema devem ser realizados durante o teste de prova anual desligando e religando o instrumento: O IRmax deve ser desligado e religado anualmente (isto é, a fonte de alimentação de 24 VCC deve ser removida e reaplicada) como parte do programa de manutenção do produto (consulte também a seção 3.2).

## 8.8 Restrições

As taxas de falha são constantes.

Um teste de prova realizado pelo menos uma vez por ano identificará todas as falhas não reveladas.

Os reparos têm um tempo médio de duração de 8 horas.

Supõe-se que o usuário utiliza a função de diagnóstico fornecida através do acessório IR Display e/ou da interface para PC, a fim de minimizar possível tempo de paralisação do produto.

A avaliação de confiabilidade é um processo estatístico para aplicar dados de falha históricos a desenhos e configurações propostos. Portanto, proporciona uma meta/estimativa verossímil da provável confiabilidade do equipamento, supondo-se que a fabricação, desenho e condições operacionais sejam idênticas àquelas sob as quais os dados foram coletados. É uma técnica de revisão de desenho importante para comparar desenhos alternativos, estabelecendo metas de desempenho em ordem de grandeza e avaliando os efeitos potenciais de mudanças no desenho. No entanto, os valores previstos reais não podem ser garantidos como previsão do número preciso de falhas em campo que realmente ocorrerão, já que isto depende de muitos fatores fora do controle do exercício de previsão.

Supõe-se que as taxas de falha (símbolo  $\lambda$ ), para os fins desta previsão, são constantes no tempo. Falhas precoces ou relacionadas com o desgaste reduziriam a confiabilidade, mas supõe-se que sejam removidas por queima e substituição preventiva respectivamente.

A probabilidade de falha sob demanda é a probabilidade de que o sistema estará em um estado de falha num momento aleatório. Isto é sinônimo de uma indisponibilidade estável que é dada por:

$$\text{Indisponibilidade} = (\lambda \times \text{TMP}) / (1 + (\lambda \times \text{TMP}))$$

que se aproxima a  $\lambda \times \text{TMP}$  para pequenos valores de  $\lambda \times \text{TMP}$

onde  $\lambda$  é a taxa de falhas e TMP é o Tempo Médio de Paralisação.

Isto é consistente com a expressão de disponibilidade dada como:  $\text{MTBF} / (\text{MTBF} + \text{TMP})$

As taxas de falhas usadas, e assim as disponibilidades derivadas, são as plausivelmente associadas a um desenho bem comprovado após um período adequado de crescimento de confiabilidade.

## 8.9 Meio ambiente

Restrições ambientais:

O produto deve ser operado a uma gama de temperatura ambiente máxima de -40°C a +75°C.

O produto deve ser armazenado a uma gama de temperatura ambiente máxima de -40°C a +80°C.

O produto deve ser operado a uma gama de umidade relativa ambiente máxima de 0% a +100% com condensação.

O produto tem um Índice de Proteção contra Líquidos e Poeira IP66 de acordo com as definições da norma EN60529.

O produto é projetado para operação contínua.

## 8.10 Tolerância de Falha de Hardware (TFH)

A TFH é 0.

## 8.11 Capacidade do Sistema

O IREX/IRmax é da Classe SC2.

## 8.12 Classificação

O IREX/IRmax é um componente tipo B.

# Garantia

---

Este equipamento sai da fábrica completamente testado e calibrado. Se, dentro do período de garantia de três anos da entrega, for provado que o equipamento se encontrava defeituoso devido a falhas na fabricação ou material, nós garantimos o seu conserto ou substituição gratuita de acordo com as condições abaixo.

## Procedimento de garantia

Para facilitar um processamento eficaz de qualquer solicitação, entre em contato com a nossa equipe de assistência ao cliente pelo número +44 (0)1235 557711 com as seguintes informações:

O seu nome, número de contato, número de fax e endereço de email.

A descrição e a quantidade dos produtos que estão sendo retornados, incluindo quaisquer acessórios.

Número(s) de série do instrumento.

Motivo de devolução.

Obtenha um formulário de devoluções para motivos de identificação e rastreamento. Este formulário pode ser baixado de nosso site da web 'crowconsupport.com', juntamente de uma etiqueta para devolução. Como alternativa, nós podemos enviar uma cópia por e-mail para você.

**O detector IRmax não será aceito para garantia sem um número de devolução da Crowcon (CRN). É essencial que a etiqueta com o endereço esteja anexada de forma segura na parte externa do pacote dos produtos retornados.**

A garantia será invalidada se o for descoberto que o produto foi alterado, desmontado ou violado. A garantia não cobre mau uso ou abuso da unidade.

## Aviso de isenção de responsabilidade da garantia

A **Crowcon** não aceita nenhuma responsabilidade pela perda indireta ou consequencial ou por danos de qualquer forma provenientes (incluindo quaisquer perdas ou danos provenientes do uso do produto) e toda a responsabilidade relacionada a quaisquer terceiros está particularmente excluída.

Esta garantia não cobre a precisão da calibração da unidade ou o acabamento final do produto. A unidade deve ser mantida de acordo com as instruções de operação e manutenção.

A garantia das peças consumíveis de substituição (como o espelho), fornecidas com a garantia da substituição de itens defeituosos, será limitada à data de validade da garantia do produto originalmente fornecido.

A **Crowcon** se reserva ao direito de determinar um período de garantia inferior, ou declinar um período de garantia, para qualquer um dos sensores fornecidos utilizados em um ambiente, ou para um aplicativo, conhecido por produzir riscos de degradação ou danos ao sensor.

A nossa responsabilidade em relação a um equipamento defeituoso será limitada às obrigações descritas e quaisquer garantias estendidas, condição ou instrução, estatutárias implícitas ou expressas, ou diferentes das qualidades comerciáveis de nosso equipamento ou de seu desempenho para qualquer propósito em particular é excluída exceto à medida que proibida pelo estatuto. Esta garantia não afetará os direitos estatutários do cliente.

A **Crowcon** se reserva ao direito de cobrar uma taxa de manuseio e transporte quando descobrir que unidades retornadas como defeituosas somente necessitavam calibração ou assistência rotineira, as quais não foram desempenhadas pelo cliente.

No caso de dúvidas a respeito da garantia ou da assistência técnica, entre em contato:

### **Assistência ao cliente**

**Tel: +44 (0) 1235 557711**

**Fax: +44 (0) 1235 557722**

**Email: [customersupport@crowcon.com](mailto:customersupport@crowcon.com)**







A HALMA COMPANY

#### **UK Office**

Crowcon Detection Instruments Ltd  
2 Blacklands Way,  
Abingdon Business Park  
Abingdon  
Oxfordshire OX14 1DY  
United Kingdom  
Tel: +44 (0)1235 557700  
Fax: +44 (0)1235 557749  
Email: sales@crowcon.com  
Web site: www.crowcon.com

#### **Netherlands Office**

Crowcon Detection Instruments Ltd  
Vlambloem 129  
3068JG, Rotterdam  
Netherlands  
Tel: +31 10 421 1232  
Fax: +31 10 421 0542  
Email: eu@crowcon.com  
Web site: www.crowcon.com

#### **USA Office**

Crowcon Detection Instruments Ltd  
1455 Jamike Ave.  
Erlanger  
KY 41018  
Tel: +1 859 957 1039 or  
1 800 527 6926  
Fax: +1 859 957 1044  
Email: salesusa@crowcon.com

#### **Singapore Office**

Crowcon Detection Instruments Ltd  
Block 194, Pandan Loop  
#06-20 Pantech Industrial Complex  
Singapore 128383  
Tel: +65 6745 2936  
Fax: +65 6745 0467  
Email: sales@crowcon.com.sg  
Web site: www.crowcon.com

#### **China Office**

Unit 316, Area 1, Tower B,  
Chuangxin Building,  
12 Hongda North Road,  
Beijing Economic & Technological  
Development Area,  
Beijing, PRC 100176  
Tel: +86 10 6787 0335  
Email: saleschina@crowcon.com  
Web site: www.crowcon.com